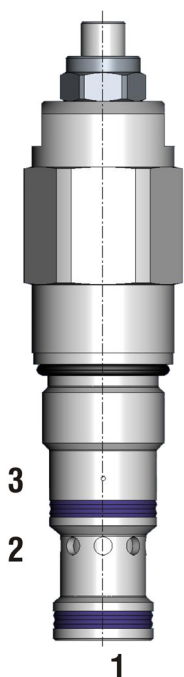


Overcenter Valve

SO5A-CP3

1-1/16-12 UN • Q_{max} 80 l/min (21 GPM) • p_{max} 350 bar (5100 PSI)

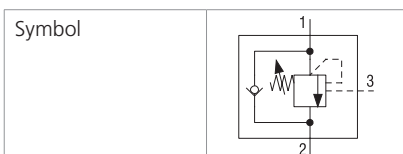


Technical Features

- › The valve prevents runaway ahead of the pump in the event of a negative load
- › Load-holding with leak-free closing poppet when the directional control valve is in neutral position
- › Pressure relief function protecting the actuator against overloading and pressure peaks
- › Integrated check valve acting as an anti-cavitation valve
- › When installed close to actuator the valve can be used as a hose burst valve
- › Setting can be performed during machine operation = leak free closing of adjustable element
- › Wide relief pressure range of setting up to 350 bar (5100 PSI)
- › In the standard version, the valve is zinc-coated for 520 h protection acc. to ISO 9227

Functional Description

Poppet-type, screw-in motion control valve designed to control the runaway of a negative load. The built-in check valve allows reverse flow into the actuator, which is protected by the internal pressure relief function.



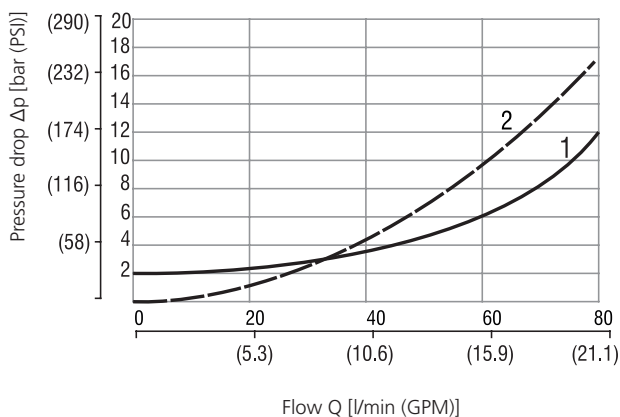
Technical Data

| Valve size / Cartridge cavity | | 1-1/16-12 UN-2A / CP3 (C-12-3S) | |
|-------------------------------|------------------|---------------------------------|-----------------------------------|
| Max. flow | l/min (GPM) | 80 (21.1) | |
| Relief pressure range | | 22 | 35 |
| Max. load induced pressure | bar (PSI) | 180 (2610) | 280 (4060) |
| Max. relief pressure | bar (PSI) | 225 (3260) | 350 (5080) |
| Fluid temperature range (NBR) | °C (°F) | -30... +100 (-22... +212) | |
| Fluid temperature range (FPM) | °C (°F) | -20... +120 (-4... +248) | |
| Pilot ratio | | 2.5:1 | 5:1 8:1 |
| Leakage | ml/min | 0.3 (5 drops per min) | |
| Weight | kg (lbs) | 0.40 (0.88) | |
| General information | | Datasheet | Type |
| | | GI_0060 | Products and operating conditions |
| Valve bodies | In-line mounted | SB_0018 | SB-CP3* |
| | Sandwich mounted | SB-04(06)_0028 | SB-CP3* |
| Cavity details | SMT_0019 | SMT-CP3* | |
| Spare parts | SP_8010 | | |

Characteristics measured at $v = 40 \text{ mm}^2/\text{s}$ (195 SUS)

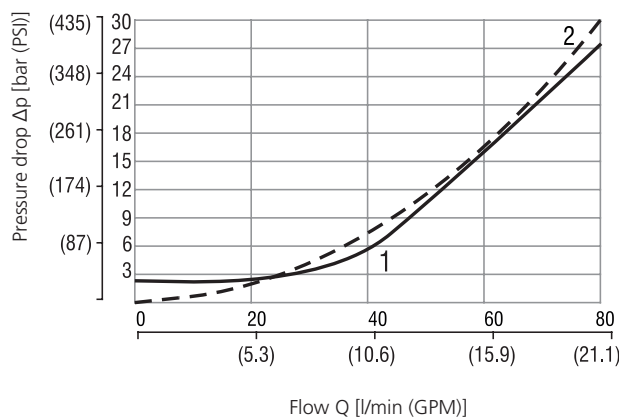
Pressure drop related to flow rate

Pilot ratio 2.5:1 and 5:1

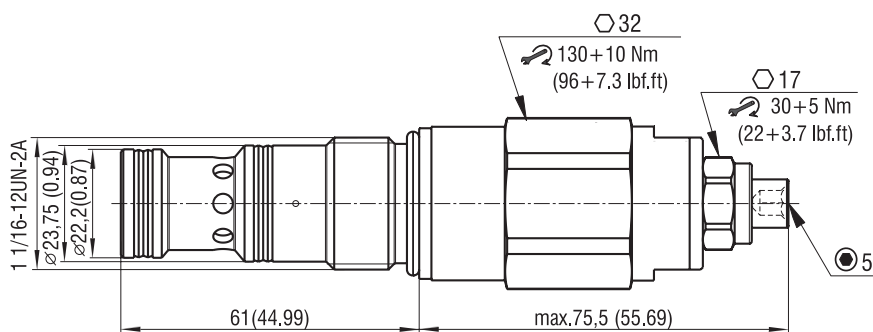


Pressure drop related to flow rate

Pilot ratio 8:1



Dimensions in millimeters (inches)



Ordering Code

SO5A - CP3 / H - **S** - **B**

Overcenter valve

Valve cavity
1-1/16-12 UN (C-12-3S)

Model
High performance

Pilot ratio

| | | |
|----------|-------|---|
| standard | 2.5:1 | 2 |
| | 5:1 | 5 |
| | 8:1 | 8 |

Relief pressure range

| | |
|---------------------------------|----|
| 70 - 225 bar (1020 - 3260 PSI) | 22 |
| 190 - 350 bar (2760 - 5080 PSI) | 35 |

Surface treatment
zinc-coated (ZnNi), ISO 9227 (520 h)

No designation
V

Seals
NBR
FPM (Viton)

Adjustment option
allen head (Hex. 5) without protective cap