



# 203 SERIES TGW

CARBON STEEL/AISI 316



Designed for high pressure applicaitons.  
Poppet Valve closing system.  
BSP, NPTF threads and other upon request.

### • Materials

Carbon Steel EN -10277-3 , AISI 316 and AISI 303

**O-ring: NBR, Viton or EPDM**

**Back-up-ring: PTFE**

Springs: Carbon Steel DIN 17233/84(B)

### • Working temperature (O-ring)

	NBR	Viton	EPDM
	+100°C	+200°C	+150°C
	-30°C	-10°C	-40°C

• **Applications:** Designed for Oil hydraulic Applications  
Hammer Application

### • Equivalence

GROMELLE 6000  
TUTHILL 6000

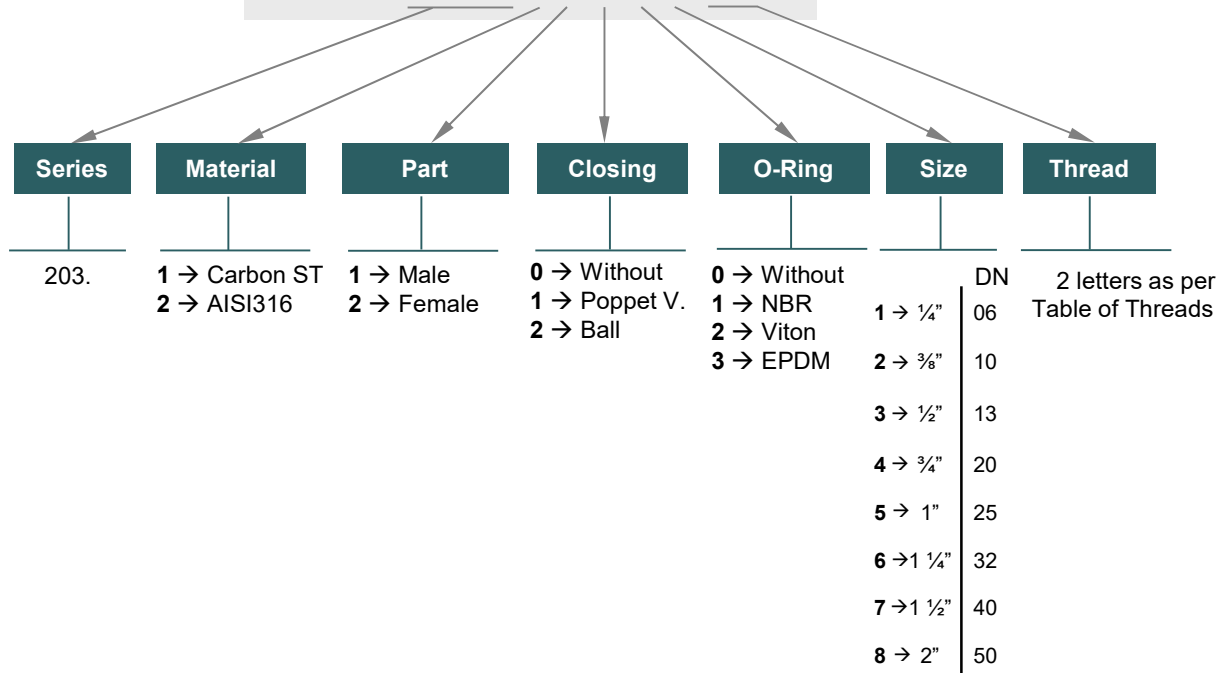
• **Sectors:** Industrial



## MODEL STRUCTURE

Example:

# 203.11115 AF



## 203-1

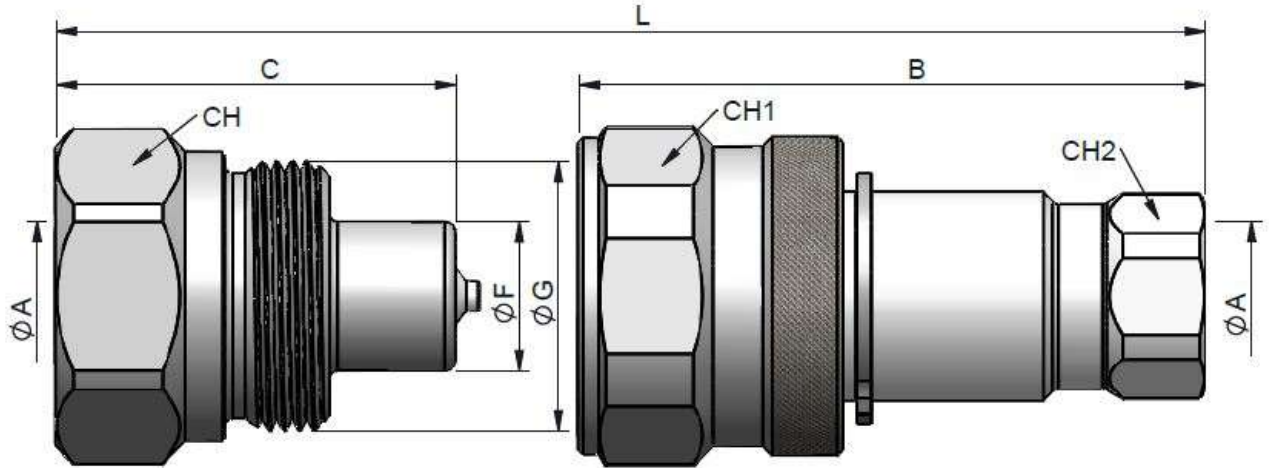


# SERIE 203 TGW

CARBON STEEL



## DN06

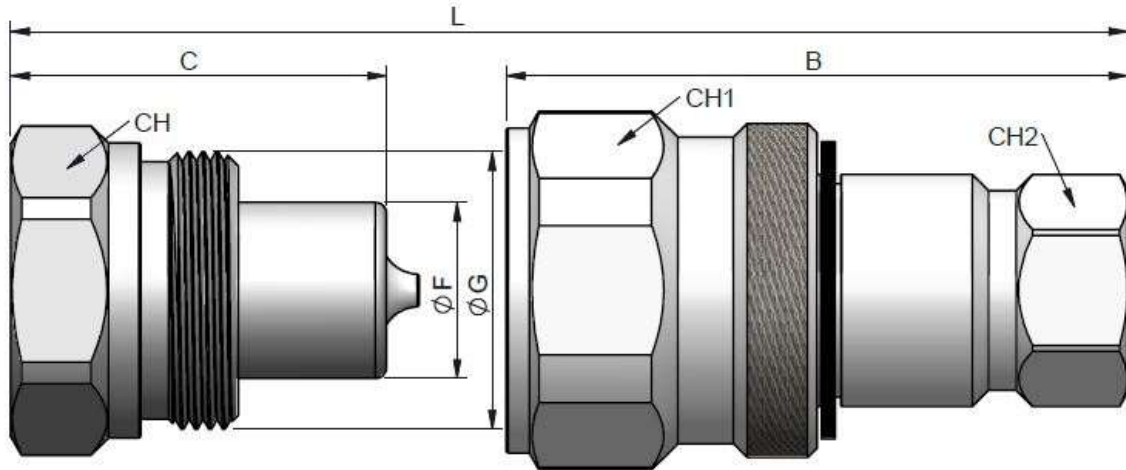


STANDARD MALE MODELS

STANDARD FEMALE MODELS

DN	ØA	REF.		CH	C	ØF	ØG	L	DN	ØA	REF.		CH2	B	CH1	L
06	1/4" BSP	203.11111AB	950Bar	30	40	19.90	M27x1.5	80	06	1/4" BSP	203.12111AB	950Bar	19	62.75	32	80
	1/4" NPTF	203.11111BB									203.12111BB					

## DN10



STANDARD MALE MODELS

STANDARD FEMALE MODELS

DN	ØA	REF.		CH	C	ØF	ØG	L	DN	ØA	REF.		CH2	B	CH1	L
10	3/8" BSP	203.11112AC	750Bar	32	40.50	18.95	M30x1.5	81	10	3/8" BSP	203.12112AC	750Bar	22	67	36	81
	3/8" NPTF	203.11112BC									203.12112BC					

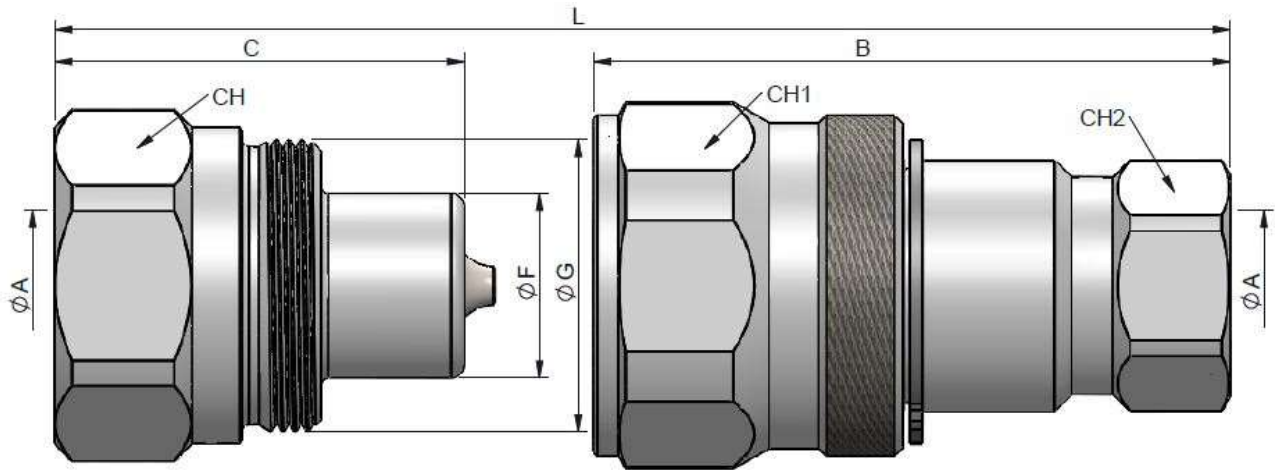


# SERIE 203 TGW

CARBON STEEL



## DN13

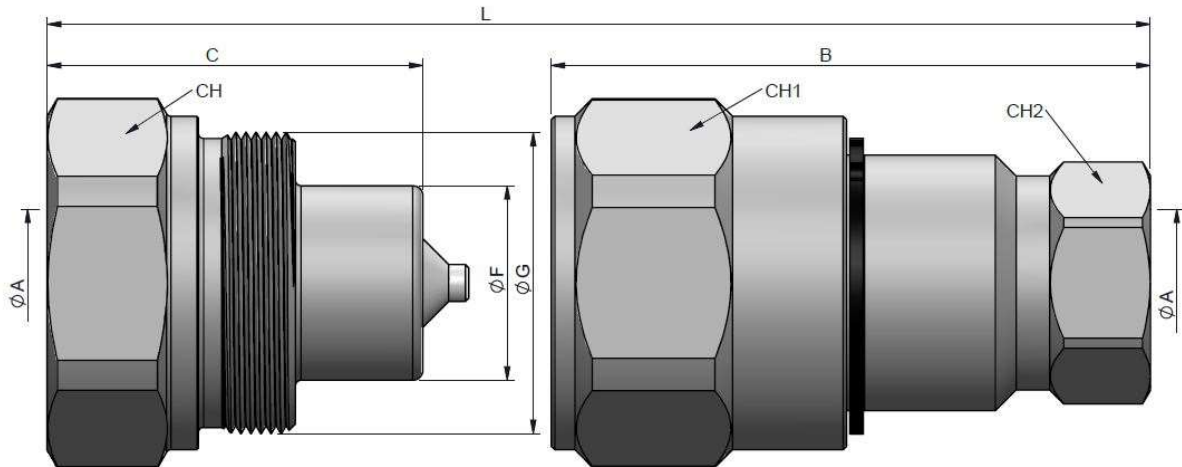


STANDARD MALE MODELS

STANDARD FEMALE MODELS

DN	ØA	REF.		CH	C	ØF	ØG	L	DN	ØA	REF.		CH2	B	CH1	L
13	1/2" BSP	203.11113AD	750Bar	38	49	19.90	M35x1.5	98	13	1/2" BSP	203.12113AD	750Bar	27	76.20	41	98
	1/2" NPTF	203.11113BD									203.12113BD					

## DN20



STANDARD MALE MODELS

STANDARD FEMALE MODELS

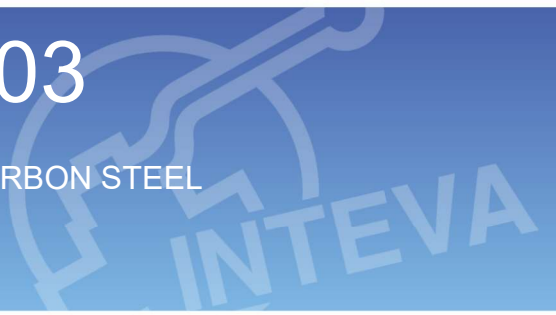
DN	ØA	REF.		CH	C	ØF	ØG	L	DN	ØA	REF.		CH2	B	CH1	L
20	3/4" BSP	203.11114AE	650Bar	50	56	28.95	M45x1.5	112	20	3/4" BSP	203.12114AE	650Bar	32	89.30	50	112
	3/4" NPTF	203.11114BE									203.12114BE					

203-3

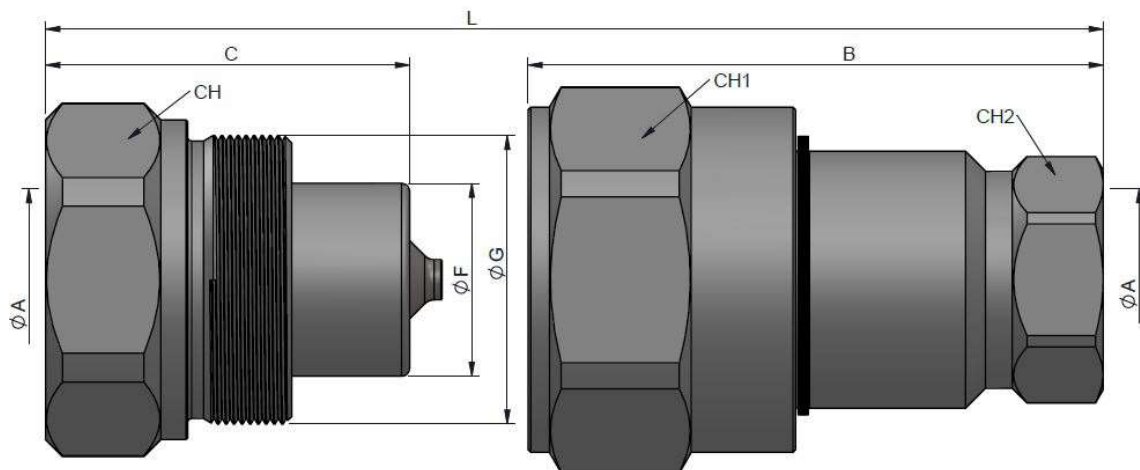


# SERIE 203 TGW

CARBON STEEL



## DN25

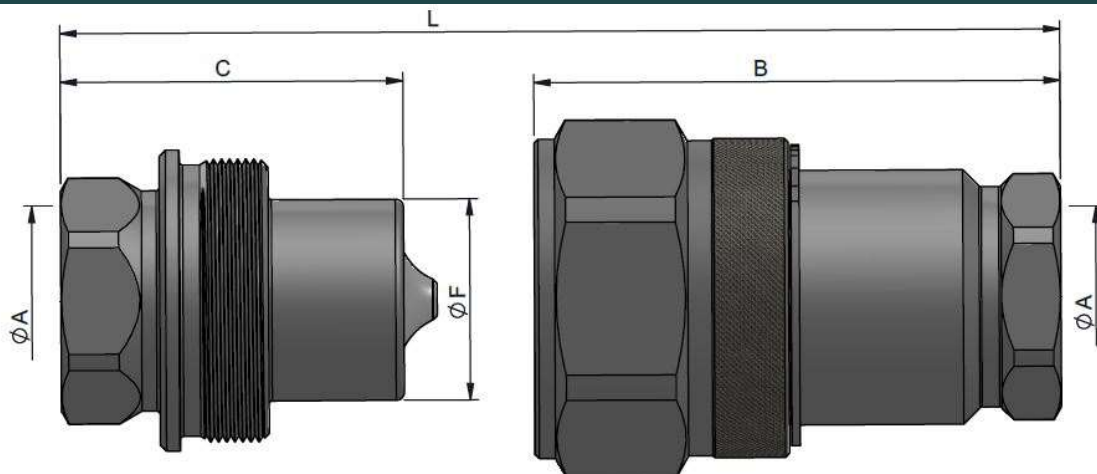


STANDARD MALE MODELS

STANDARD FEMALE MODELS

DN	ØA	REF.		CH	C	ØF	ØG	L	DN	ØA	REF.		CH2	B	CH1	L
25	1" BSP	203.11115AF	450Bar	60	68	36	M54x1.5	136	25	1" BSP	203.12115AF	450Bar	41	107.5	65	136
	1" NPTF	203.11115BF									203.12115BF					

## DN32



STANDARD MALE MODELS

STANDARD FEMALE MODELS

DN	ØA	REF.		CH	C	ØF	ØG	L	DN	ØA	REF.		CH2	B	CH1	L
32	1 1/4" BSP	203.11116AG	450Bar	75	85	49.80	M70x2	160	32	1 1/4" BSP	203.12116AG	450Bar	55	130.50	80	160
	1 1/4" NPTF	203.11116BG									203.12116BG					

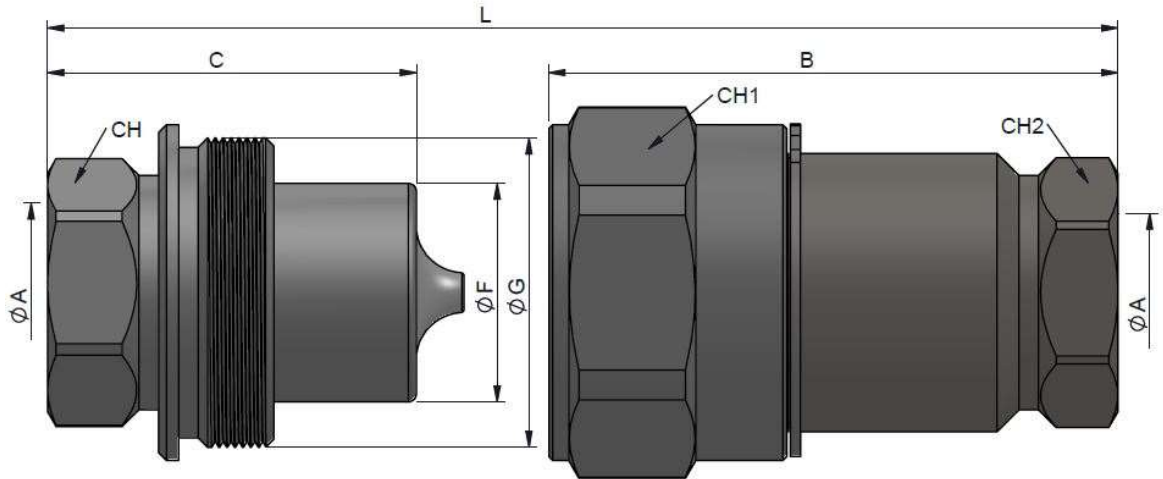


# SERIE 203 TGW

CARBON STEEL



## DN40

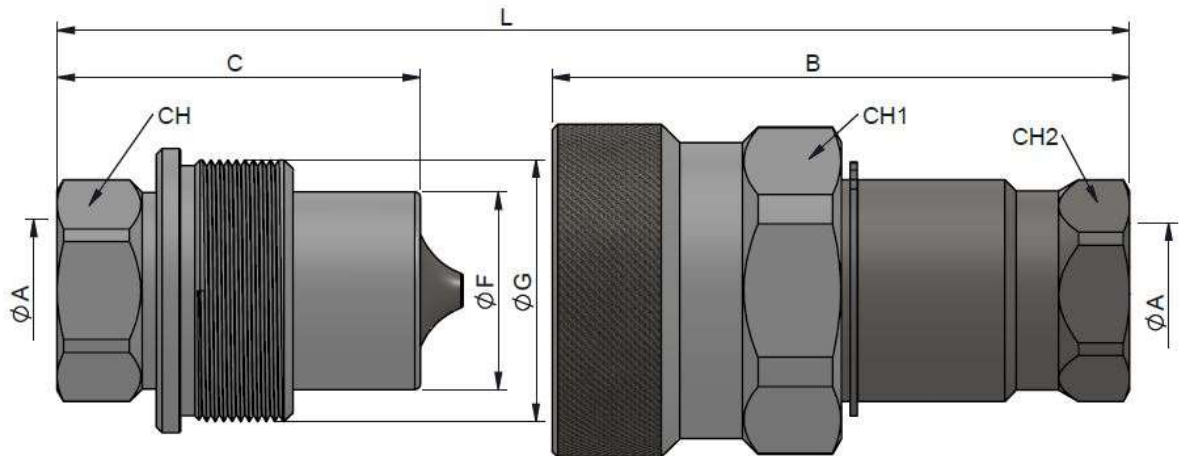


STANDARD MALE MODELS

STANDARD FEMALE MODELS

DN	ØA	REF.		CH	C	ØF	ØG	L	DN	ØA	REF.		CH2	B	CH1	L
40	1 1/2" BSP	203.11117AH	300Bar	60	93	55	M78x1.5	176.5	40	1 1/2" BSP	203.12117AH	300Bar	60	143.50	85	176.5
	1 1/2" NPTF	203.11117BH									203.12117BH					

## DN50



STANDARD MALE MODELS

STANDARD FEMALE MODELS

DN	ØA	REF.		CH	C	ØF	ØG	L	DN	ØA	REF.		CH2	B	CH1	L
50	2" BSP	203.11118AI	300Bar	70	128	69.40	M93x3	247	50	2" BSP	203.12118AI	300Bar	70	203.50	105	247
	2" NPTF	203.11118BI									203.12118BI					





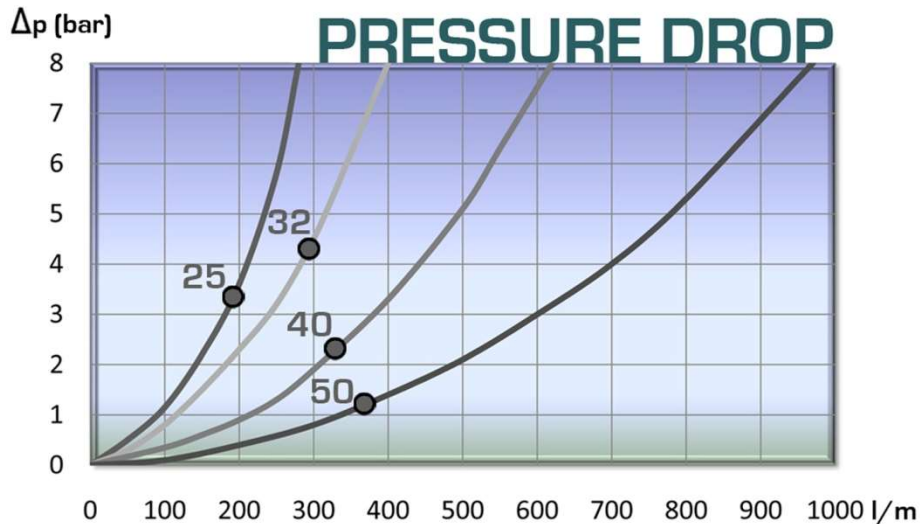
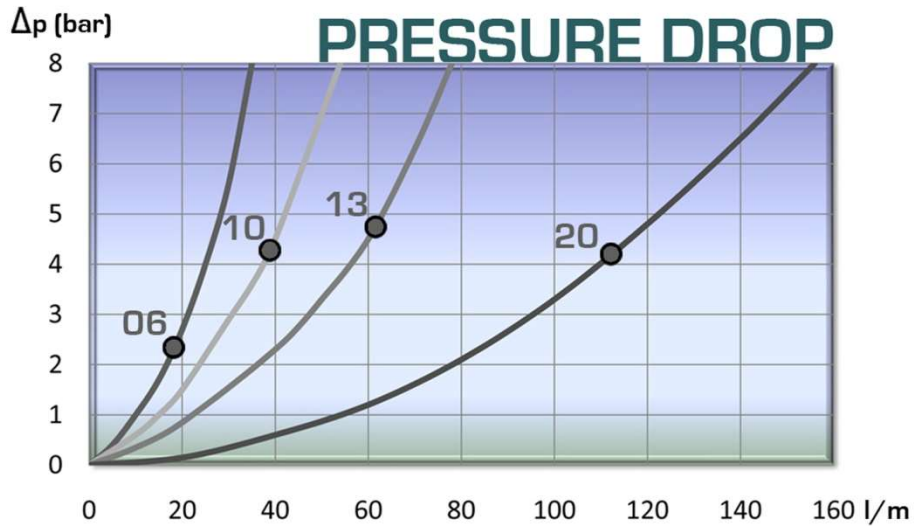
# 203 SERIES TGW

CARBON STEEL



TECHNICAL DATA					
DN	Rated Flow	Min Burst Pressure (bar)			Max. Working Pressure
		Male	Female	Coupled	
06	18 l/m	1960	1960	1960	950 Bar
10	38 l/m	1500	1500	1500	750 Bar
13	62 l/m	1500	1500	1500	750 Bar
20	116 l/m	1300	1300	1300	650 Bar
25	194 l/m	900	900	900	450 Bar
32	290 l/m	900	900	900	450 Bar
40	450 l/m	600	600	600	300 Bar
50	630 l/m	600	600	600	300 Bar

Test performed according to ISO 18869



203-3



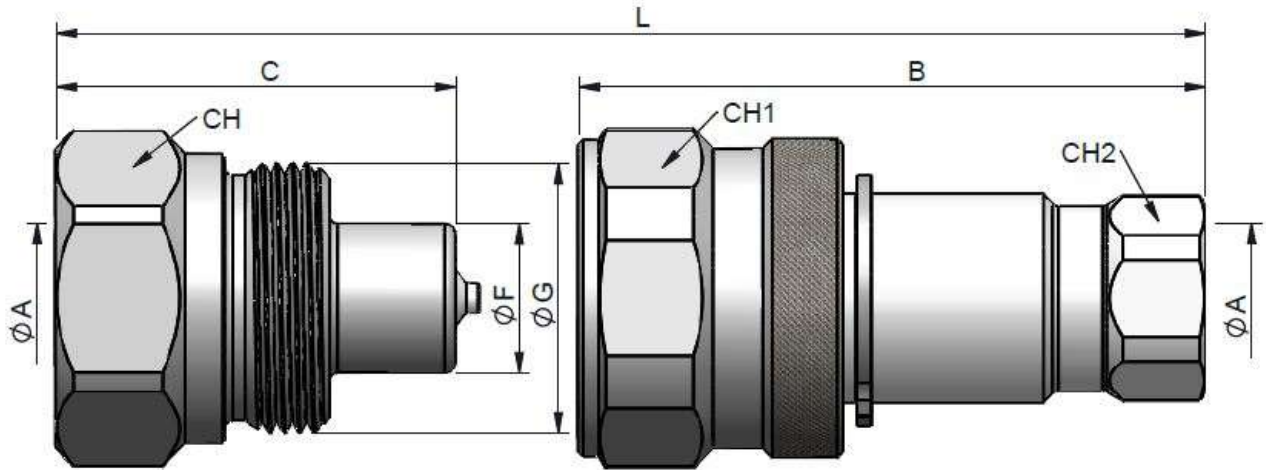


# SERIE 203 TGW

AISI 316



## DN06

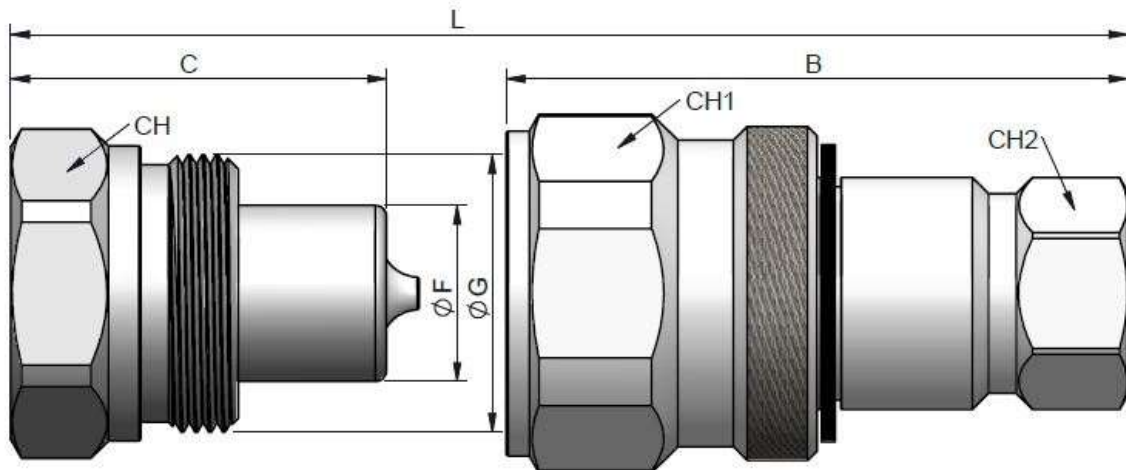


STANDARD MALE MODELS

STANDARD FEMALE MODELS

DN	ØA	REF.		CH	C	ØF	ØG	L	DN	ØA	REF.		CH2	B	CH1	L
06	1/4" BSP	203.21111AB	950Bar	30	40	19.90	M27x1.5	80	06	1/4" BSP	203.22111AB	950Bar	19	62.75	32	80
	1/4" NPTF	203.21111BB									203.22111BB					

## DN10



STANDARD MALE MODELS

STANDARD FEMALE MODELS

DN	ØA	REF.		CH	C	ØF	ØG	L	DN	ØA	REF.		CH2	B	CH1	L
10	3/8" BSP	203.21112AC	750Bar	32	40.50	18.95	M30x1.5	81	10	3/8" BSP	203.22112AC	750Bar	22	67	36	81
	3/8" NPTF	203.21112BC									203.22112BC					

203-7

INTEVA reserves the right to make modifications in its products without prior notice.  
Any external or internal alteration in our products will automatically void the warranty.



v8

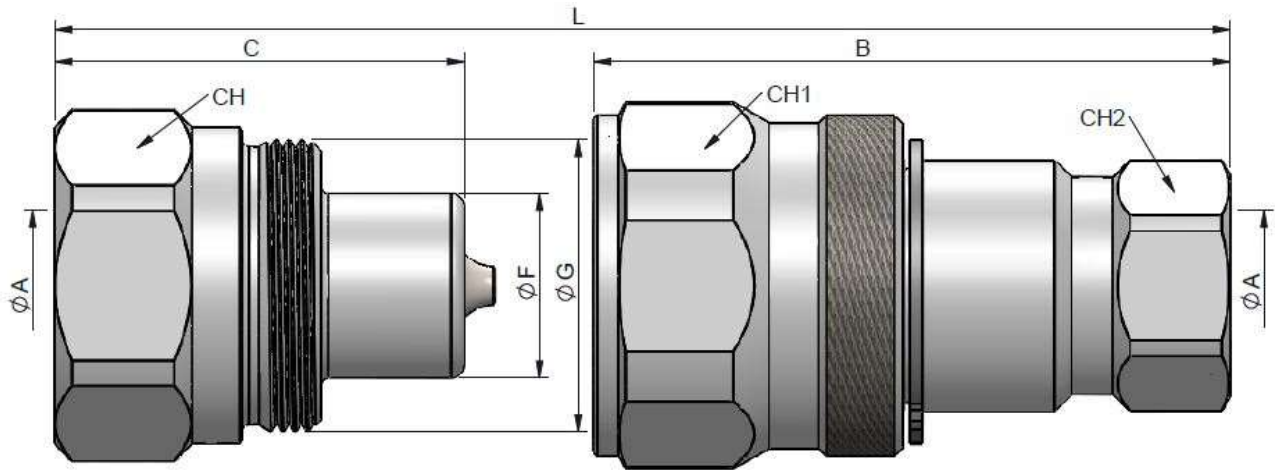


# SERIE 203 TGW

AISI 316



## DN13

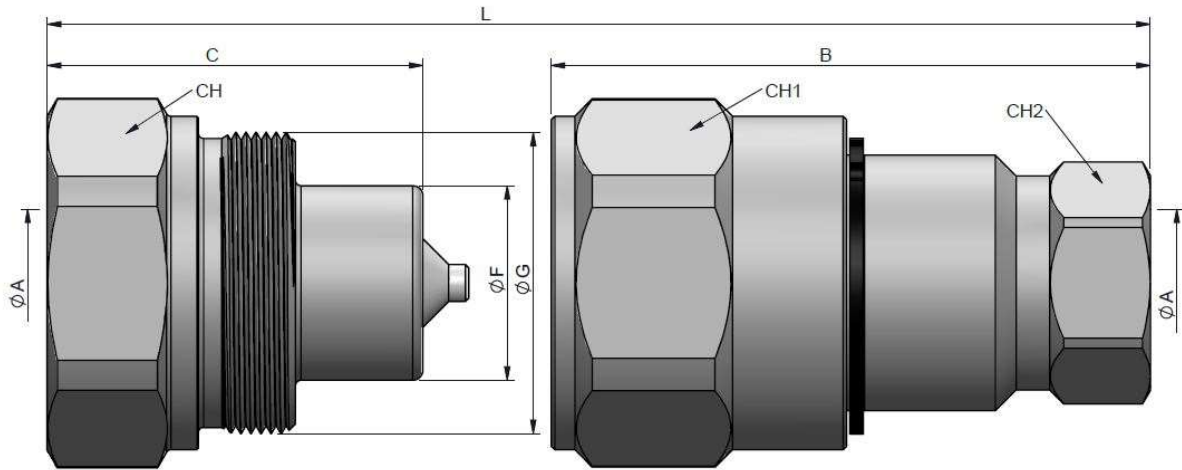


STANDARD MALE MODELS

STANDARD FEMALE MODELS

DN	ØA	REF.		CH	C	ØF	ØG	L	DN	ØA	REF.		CH2	B	CH1	L
13	1/2" BSP	203.21113AD	750Bar	38	49	19.90	M35x1.5	98	13	1/2" BSP	203.22113AD	750Bar	27	76.20	41	98
	1/2" NPTF	203.21113BD									203.22113BD					

## DN20



STANDARD MALE MODELS

STANDARD FEMALE MODELS

DN	ØA	REF.		CH	C	ØF	ØG	L	DN	ØA	REF.		CH2	B	CH1	L
20	3/4" BSP	203.21114AE	650Bar	50	56	28.95	M45x1.5	112	20	3/4" BSP	203.22114AE	650Bar	32	89.30	50	112
	3/4" NPTF	203.21114BE									203.22114BE					



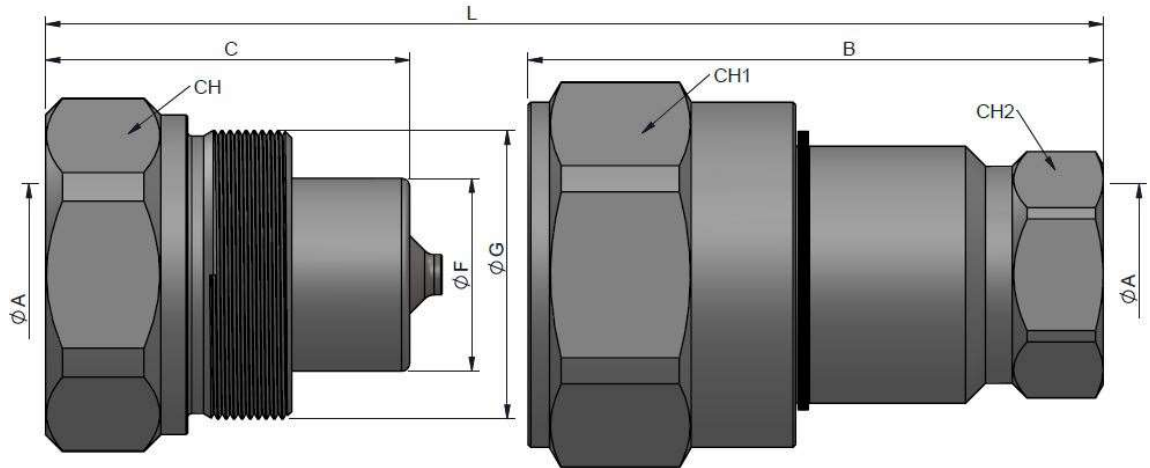


# SERIE 203 TGW

AISI 316



## DN25

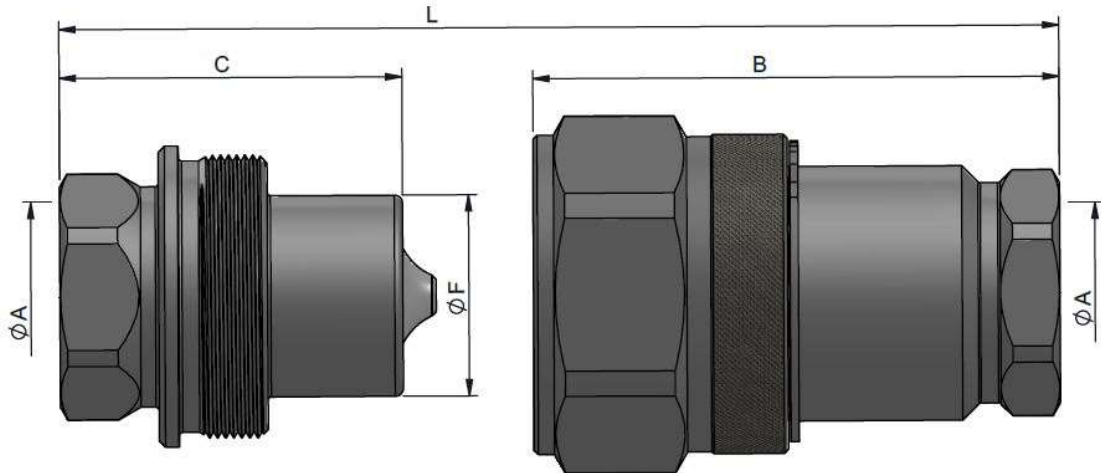


STANDARD MALE MODELS

STANDARD FEMALE MODELS

DN	ØA	REF.		CH	C	ØF	ØG	L	DN	ØA	REF.		CH2	B	CH1	L
25	1" BSP	203.21115AF	450Bar	60	68	36	M54x1.5	136	25	1" BSP	203.22115AF	450Bar	41	107.5	65	136
	1" NPTF	203.21115BF									203.22115BF					

## DN32



STANDARD MALE MODELS

STANDARD FEMALE MODELS

DN	ØA	REF.		CH	C	ØF	ØG	L	DN	ØA	REF.		CH2	B	CH1	L
32	1 1/4" BSP	203.21116AG	450Bar	75	85	49.80	M70x2	160	32	1 1/4" BSP	203.22116AG	450Bar	55	130.50	80	160
	1 1/4" NPTF	203.21116BG									203.22116BG					

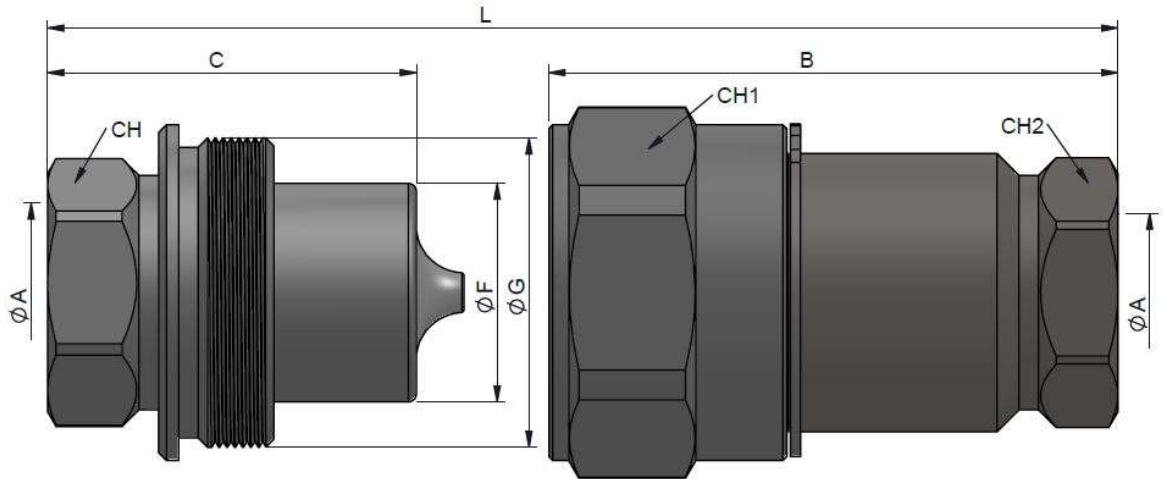


# SERIE 203 TGW

AISI 316



## DN40

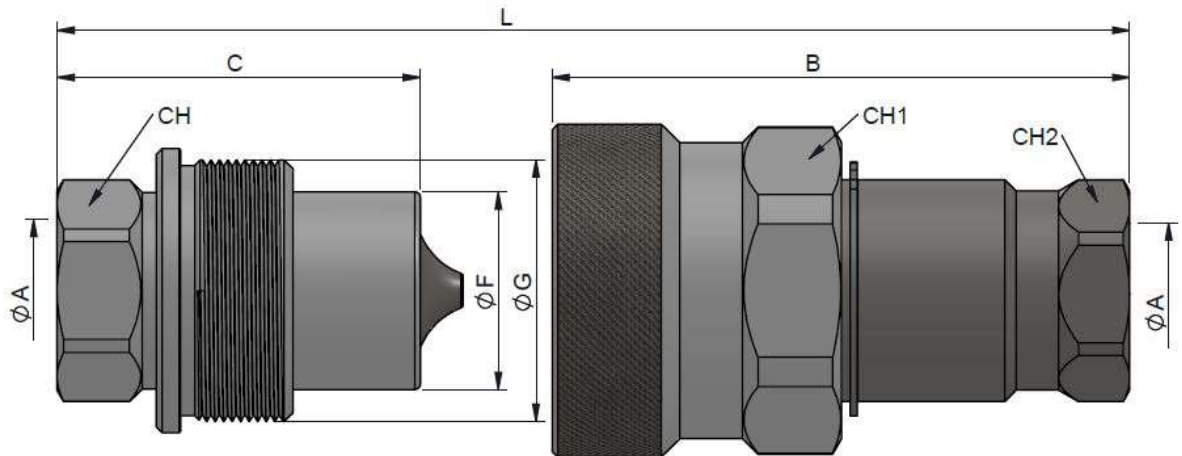


STANDARD MALE MODELS

STANDARD FEMALE MODELS

DN	ØA	REF.		CH	C	ØF	ØG	L	DN	ØA	REF.		CH2	B	CH1	L
40	1 1/2" BSP	203.21117AH	300Bar	60	93	55	M78x1.5	176.5	40	1 1/2" BSP	203.22117AH	300Bar	60	143.50	85	176.5
	1 1/2" NPTF	203.21117BH									203.22117BH					

## DN50



STANDARD MALE MODELS

STANDARD FEMALE MODELS

DN	ØA	REF.		CH	C	ØF	ØG	L	DN	ØA	REF.		CH2	B	CH1	L
50	2" BSP	203.21118AI	300Bar	70	128	69.40	M93x3	247	50	2" BSP	203.22118AI	300Bar	70	203.50	105	247
	2" NPTF	203.21118BI									203.22118BI					



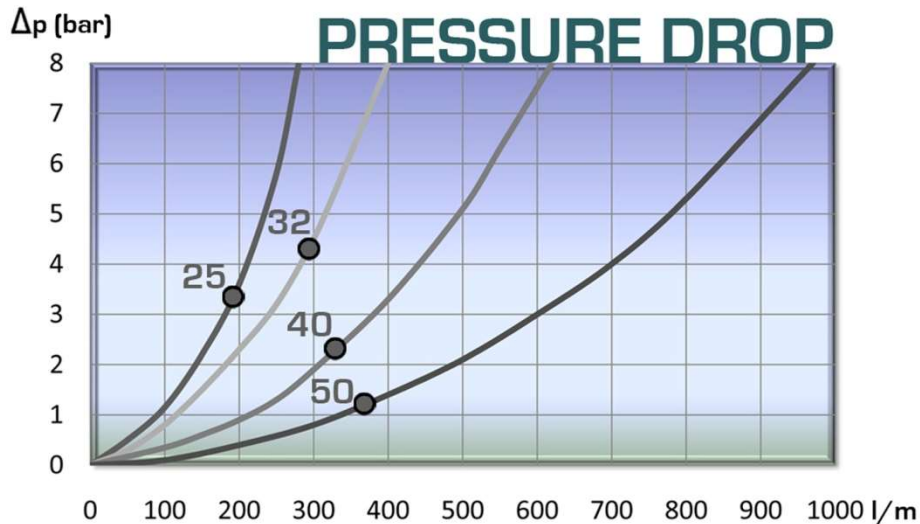
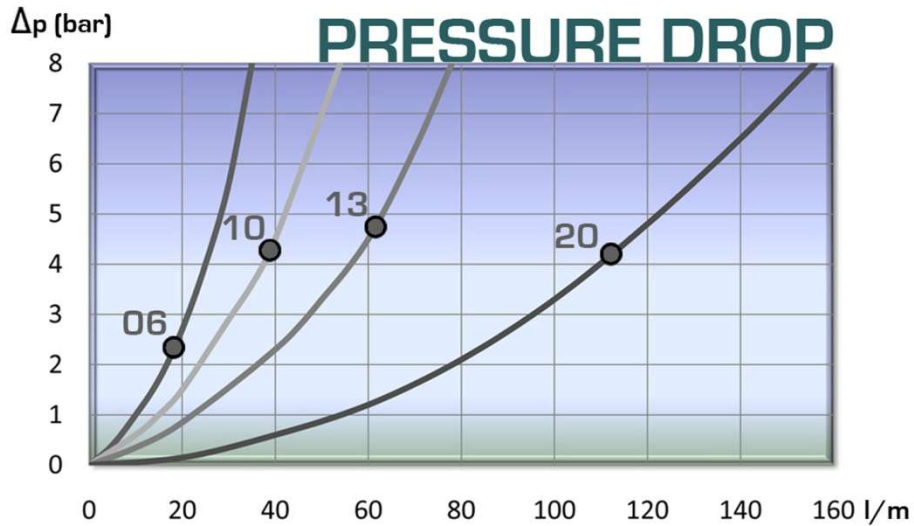
# 203 SERIES TGW

AISI 316



TECHNICAL DATA					
DN	Rated Flow	Min Burst Pressure (bar)			Max. Working Pressure
		Male	Female	Coupled	
06	18 l/m	1960	1960	1960	950 Bar
10	38 l/m	1500	1500	1500	750 Bar
13	62 l/m	1500	1500	1500	750 Bar
20	116 l/m	1300	1300	1300	650 Bar
25	194 l/m	900	900	900	450 Bar
32	290 l/m	900	900	900	450 Bar
40	450 l/m	600	600	600	300 Bar
50	630 l/m	600	600	600	300 Bar

Test performed according to ISO 18869





# 203 SERIES

## TGW PLUGS & CAPS

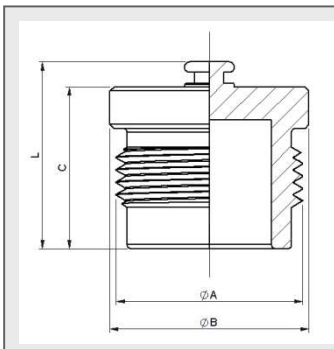
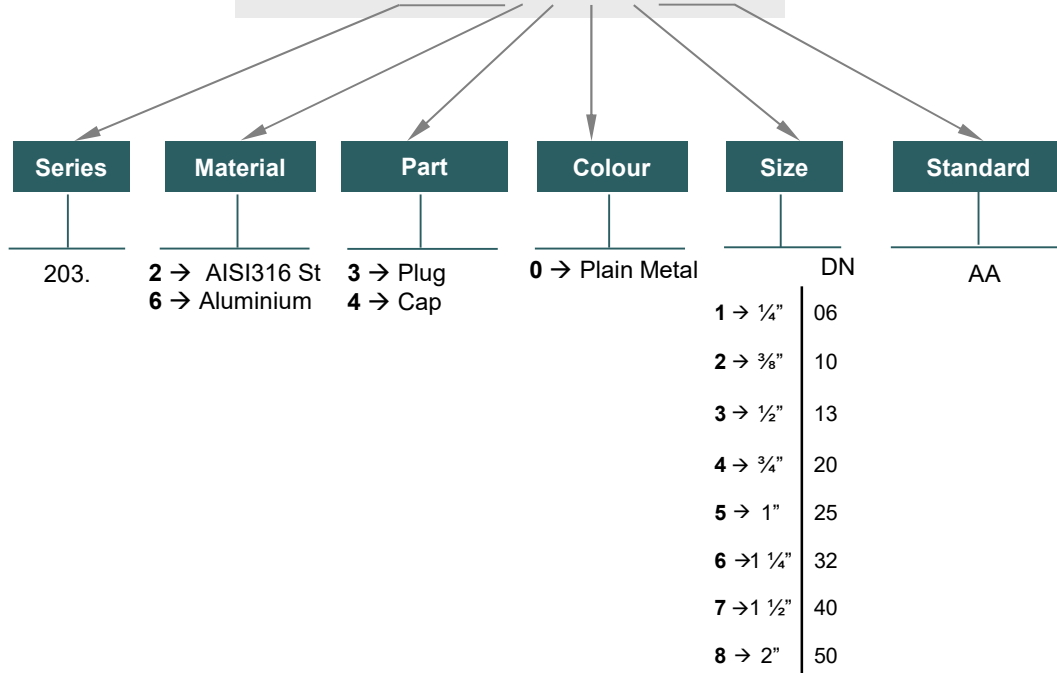


TGW SERIES PLUGS, CAPS and have been designed to protect FEMALE (coupler) or MALE (nipple) parts while they are disconnected.

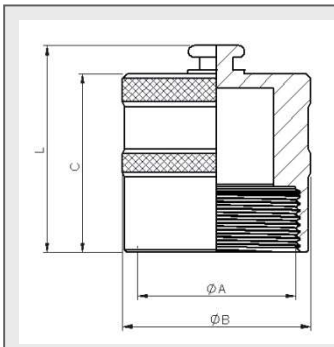
### MODEL STRUCTURE

Example:

## 203.6404 AA



PLUG				
DN	REF.	ØA	ØB	L
06	203.6301AA	M27x1.5	32	24.5
10	203.6302AA	M30x1.5	35	26.5
13	203.6303AA	M35x1.5	40	26.5
20	203.6304AA	M45x1.5	50	32
25	203.6305AA	M54x1.5	60	38
32	203.6306AA	M70x2	75	45
40	203.6307AA	M78x2	84.5	47
50	203.6308AA	M92x3	117	61



CAP				
DN	REF.	ØA	ØB	L
06	203.6401AA	M27x1.5	32	40
10	203.6402AA	M30x1.5	35	43
13	203.6403AA	M35x1.5	40	41
20	203.6404AA	M45x1.5	50	52
25	203.6405AA	M54x1.5	60	61
32	203.6406AA	M70x2	75	80
40	203.6407AA	M78x2	85	83
50	203.6408AA	M92x3	102	116

203-6