



# 202 SERIES HPA

Manufactured according to the standard ISO 14540.  
Designed for cylinders, hand pumps and similar high hydraulic applications.  
Ball or Poppet valve closing system available.  
NPTF Threads. Other threads upon request.

## • Materials

	CARBON STEEL	STAINLESS STEEL
Body	Carbon Steel EN-10277-3	AISI 316L
O-ring	NBR, Viton or EPDM	NBR, Viton or EPDM
Balls	AISI 1010/1015	AISI 1010/1015
Springs	Carbon Steel DIN 17233/84(B)	AISI302 DIN 17224

## • Working temperature (O-ring)

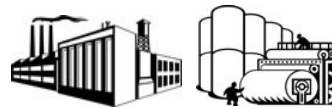
	NBR	Viton	EPDM
+	+100°C	+200°C	+150°C
-	-30°C	-10°C	-40°C

• Applications: Designed for Oil hydraulic Applications

## • Equivalence:

ENERPAC C-604  
CEJN 230  
PARKER 3000

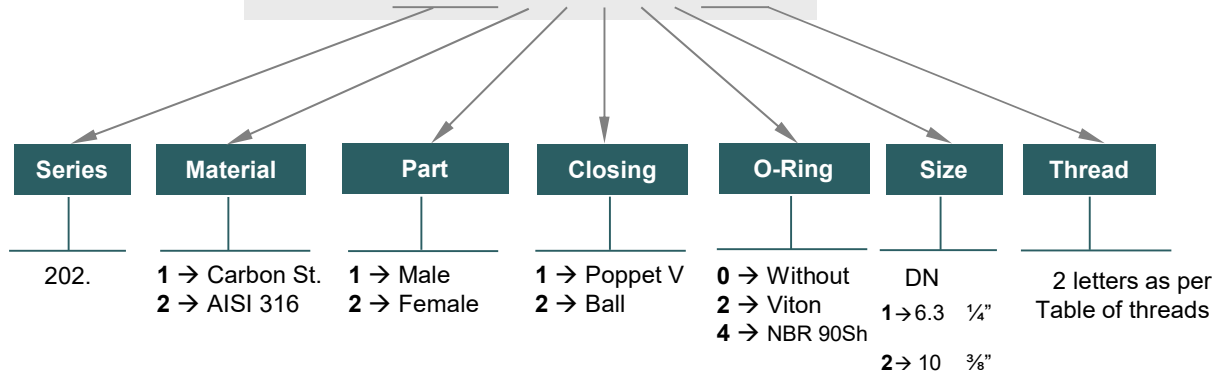
## • Sectors: Industrial



## MODEL STRUCTURE

Example:

### 202. 12242 BN



202-1

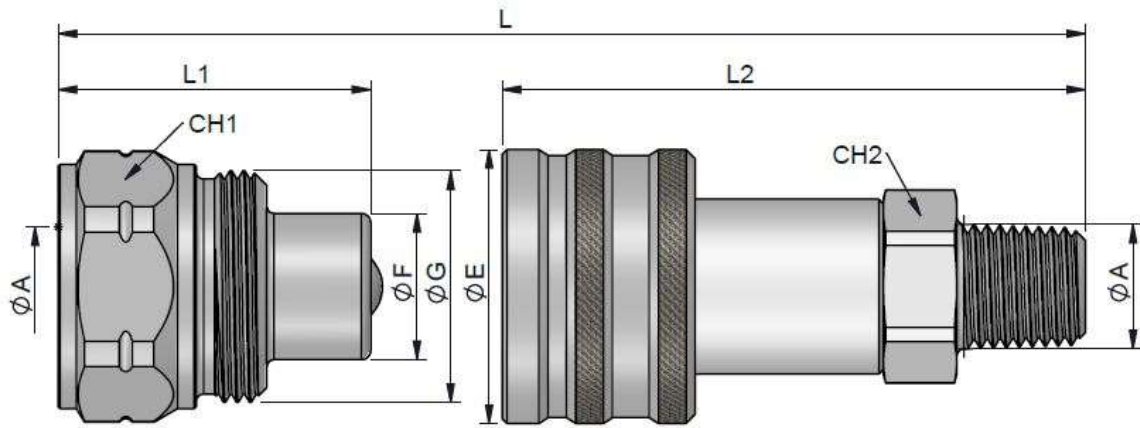


# 202 SERIES

## HPA BALL VALVE



### DN6.3

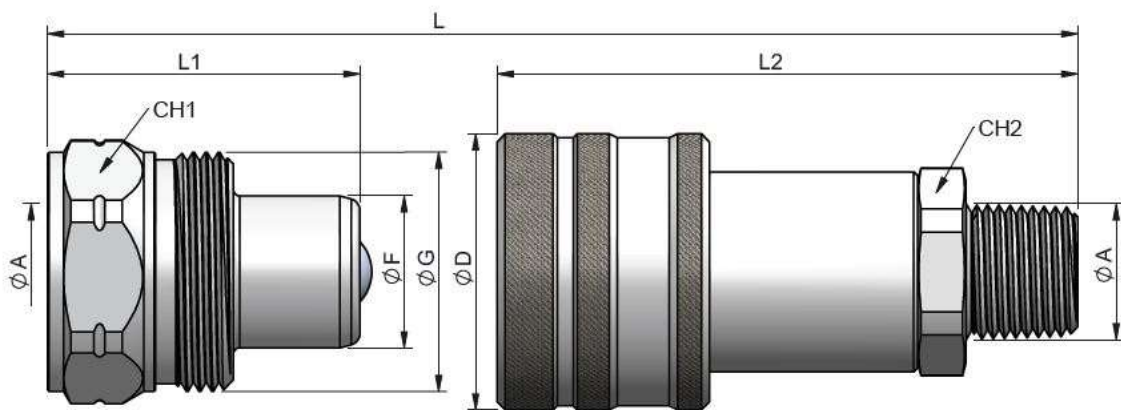


MALE STANDARD MODELS

FEMALE STANDARD MODELS

DN	ØA	REF.		CH1	ØG	L1	ØF	L	DN	ØA	REF.		CH2	L2	ØD	L
6.3	1/4" NPTF	202.11201BB	700Bar	27	1" UN	34	15.90	78.5	6.3	1/4" NPTF M.	202.12241BM	700Bar	19	63.5	29.8	78.5
	1/4" NPTF	202.21201BB									202.22221BM					

### DN10



MALE STANDARD MODELS

FEMALE STANDARD MODELS

DN	ØA	REF.		CH1	ØG	L1	ØF	L	DN	ØA	REF.		CH2	L2	ØD	L
10	3/8" NPTF	202.11202BC	700Bar	30	1 3/16" UN	39	19	87.27	10	3/8" NPTF M.	202.12242BN	700Bar	24	72.5	34.5	87.27
	3/8" NPTF	202.21202BC									202.22222BN					

L= lenght while quick coupling is connected.

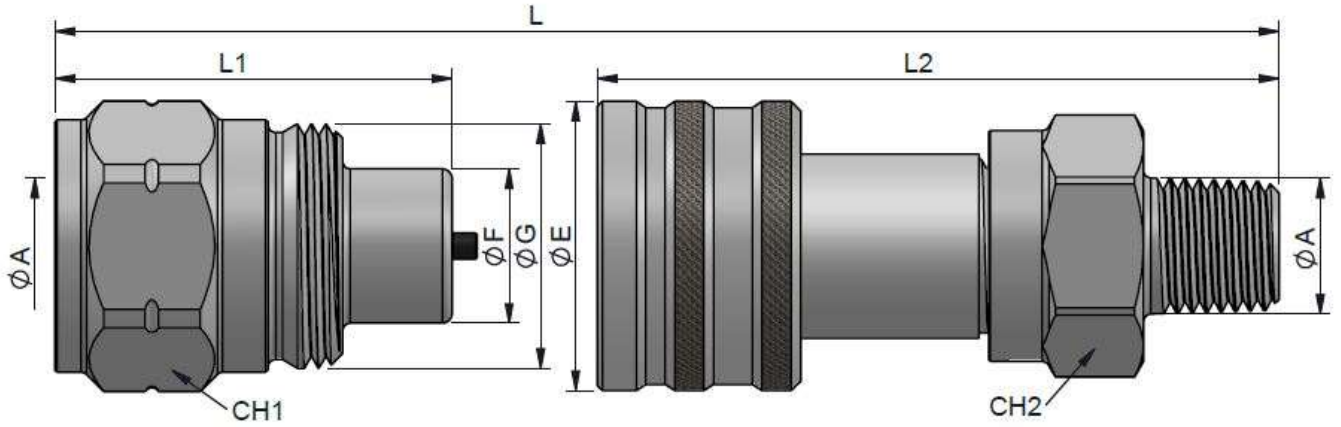


# 202 SERIES

## HPA POPPET VALVE



### DN6.3



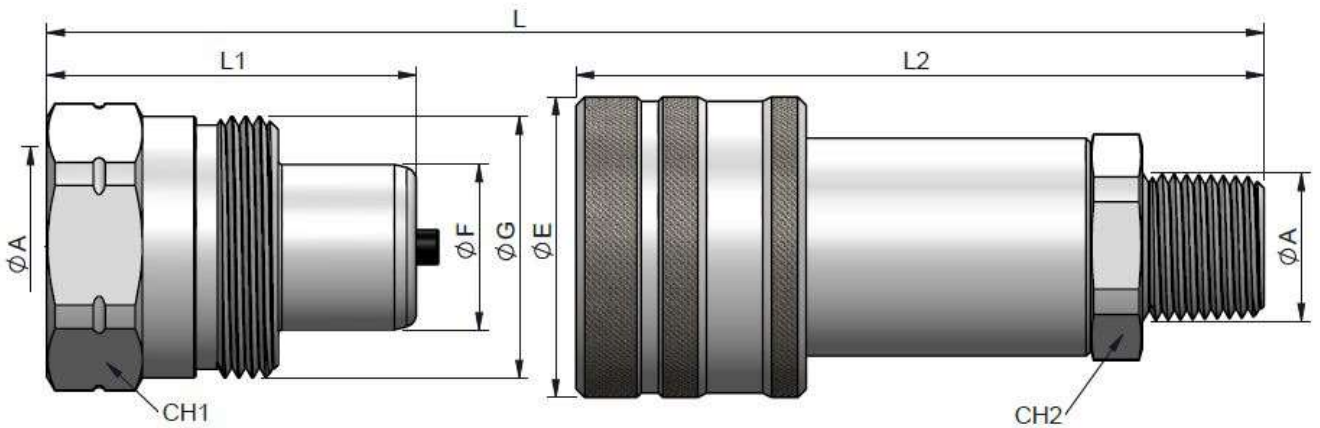
MALE STANDARD MODELS

FEMALE STANDARD MODELS

DN	ØA	REF.		CH1	ØG	L1	ØF	L
6.3	1/4" NPTF	202.11141BB	1200Bar	27	1" UN	41	15.90	92.40
	1/4" NPTF	202.21121BB						

DN	ØA	REF.		CH2	L2	ØD	L
6.3	1/4" NPTF M.	202.12141BM	1200Bar	23.8	70.4	29.8	92.40
	1/4" NPTF M.	202.22121BM					

### DN10



MALE STANDARD MODELS

FEMALE STANDARD MODELS

DN	ØA	REF.		CH1	ØG	L1	ØF	L
10	3/8" NPTF	202.11142BC	1200Bar	30	1 3/16" UN	42.5	19	97.5
	3/8" NPTF	202.21122BC						

DN	ØA	REF.		CH2	L2	ØD	L
10	3/8" NPTF M.	202.12142BN	1200Bar	24	79.2	34.5	97.5
	3/8" NPTF M.	202.22122BN					

L= lenght while quick coupling is connected.



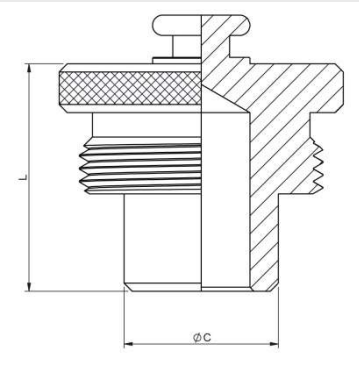
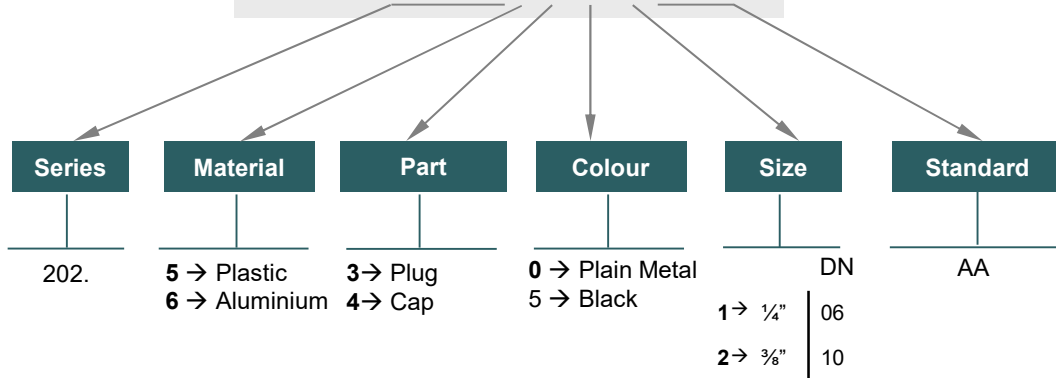
# 202 SERIES HPA PLUGS & CAPS

HPA SERIES PLUGS and CAPS have been designed to protect FEMALE (coupler) or MALE (nipple) parts while they are disconnected.

## MODEL STRUCTURE

Example:

### 202.6302 AA

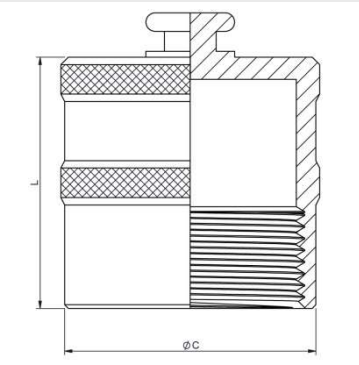


### METAL PLUG

DN	ALUMINUM	AISI 316	ØC	L
6.3	202.6301AA	202.2301AA	15,85	24
10	202.6302AA	202.2302AA	19	28

### PLASTIC PLUG

DN	PLASTIC	ØC	L
6.3	202.5351AA	15,7	24
10	202.5352AA	19	28



### METAL CAP

DN	ALUMINUM	AISI 316	ØC	L
6.3	202.6401AA	202.2401AA	29	28
10	202.6402AA	202.2402AA	34	34

### PLASTIC CAP

DN	PLASTIC	ØC	L
6.3	202.5451AA	29	25
10	202.5452AA	34	34





# 202 SERIES HPA



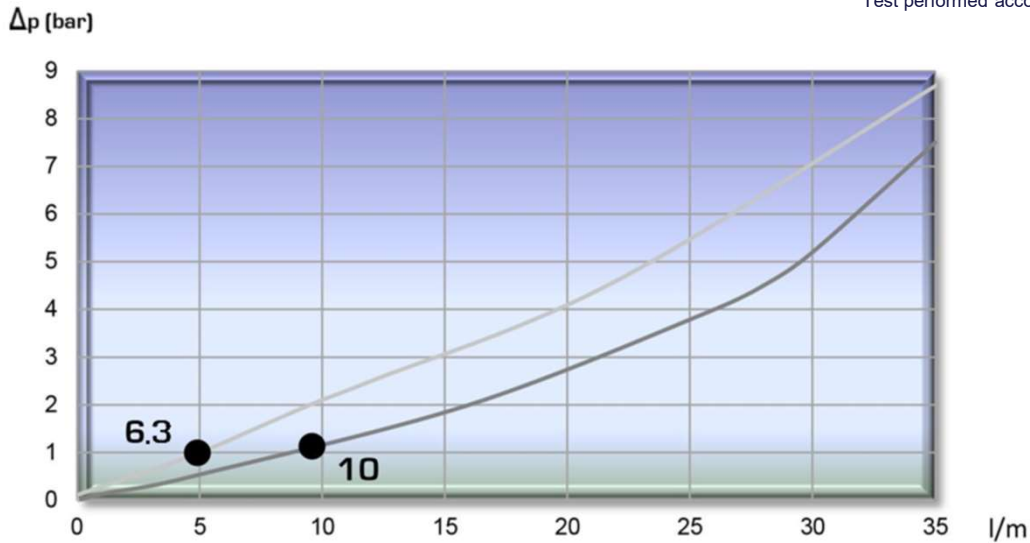
## TECHNICAL DATA

**BALL VALVE**

**Carbon Steel and Stainless Steel AISI316**

DN	Rated Flow	Min Burst Pressure (bar)			Max. Working Pressure	Spillage
		Male	Female	Coupled		
6.3	5 l/m	1500	2000	2200	700 Bar	0.2
10	9 l/m	1500	2000	2200	700 Bar	0.6

Test performed according to ISO 18869



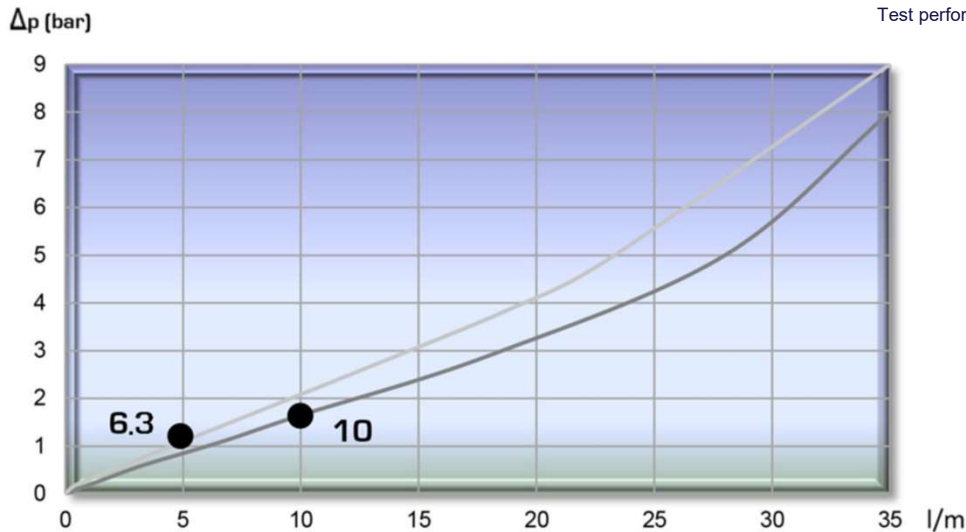
## TECHNICAL DATA

**POPPET VALVE**

**Carbon Steel and Stainless Steel AISI316**

DN	Rated Flow	Min Burst Pressure (bar)			Max. Working Pressure	Spillage
		Male	Female	Coupled		
6.3	5 l/m	1500	2400	2400	1200 Bar	0.5
10	9 l/m	1500	2400	2800	1200 Bar	1.5

Test performed according to ISO 18869



**202-5**

