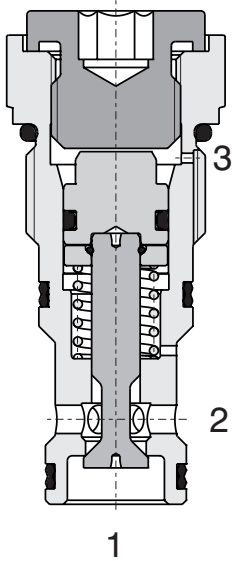


Check Valve, Poppet-type, Pilot to Open

SC5H-BP3

7/8-14 UNF • Q_{max} 60 l/min (16 GPM) • p_{max} 420 bar (6100 PSI)

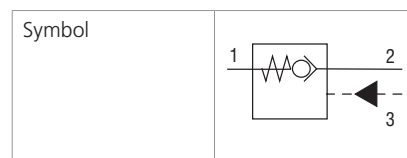


Technical Features

- › Hardened and precision working parts
- › Sharp-edged ground steel seats for dirt-tolerant performance
- › Leak-free closing and suitable for fast cycling with long life
- › High flow capacity
- › Optional sealed piston and bias spring ranges for back-pressure control
- › In the standard version, the valve is zinc-coated for 520 h protection acc. to ISO 9227

Functional Description

The valve allows flow to pass from port 2 to 1 while normally closing flow from 1 to 2 with load. When pressure is applied at port 3. The flow passes from port 1 to 2.
The cartridge valve has a 3:1 pilot ratio. This require minimum one-third of the load pressure applied at port 3 to open the valve. The check valve is also spring closed to secure holding position in static conditions without the load.



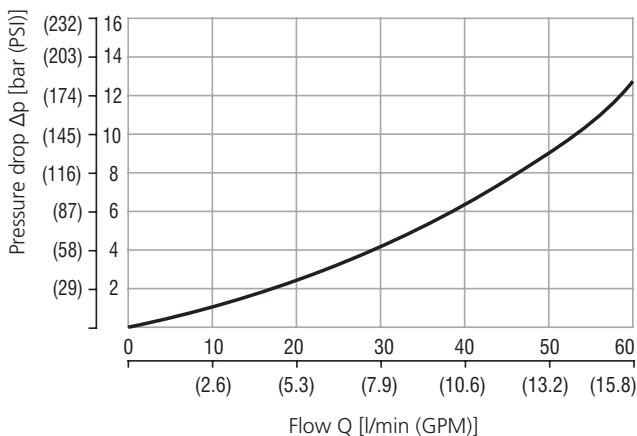
Technical Data

Valve size / Cartridge cavity		7/8-14 UNF-2A - LONG / BP3 (C-12-3S)
Max. flow	l/min (GPM)	60 (15.8)
Max. operating pressure	bar (PSI)	420 (6090)
Pilot ratio		3:1
Fluid temperature range (NBR)	°C (°F)	-30 ... +100 (-22 ... +212)
Fluid temperature range (FPM)	°C (°F)	-20 ... +120 (-4 ... +248)
Weight	kg (lbs)	0.13 (0.29)

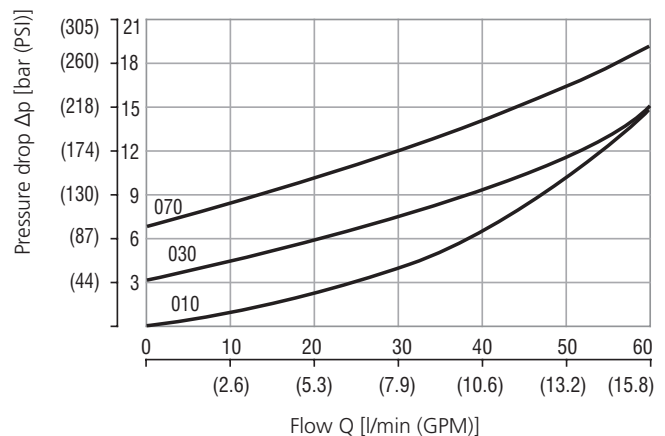
		Datasheet	Type
General information		GI_0060	Products and operating conditions
Valve bodies	In-line mounted	SB_0018	SB-BP3*
	Sandwich mounted	SB-04(06)_0028	SB-BP3*
Cavity details		SMT_0019	SMT-BP3*
Spare parts		SP_8010	

Characteristics measured at $v = 40 \text{ mm}^2/\text{s}$ (195 SUS)

Pressure drop related to flow rate

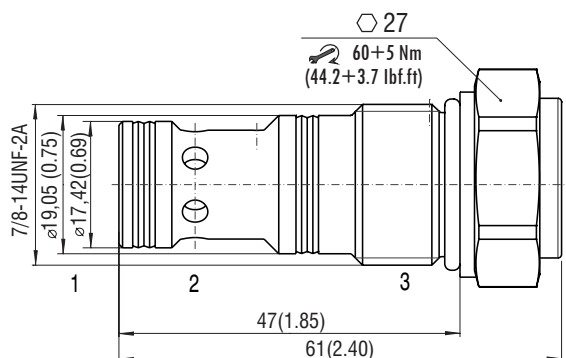


pilot open (1→2)



free flow (2→1)

Dimensions in millimeters (inches)



Ordering Code

SC5H - BP3 / H 3 - - **B**

Check valve, poppet-type, pilot to open

Valve cavity
7/8-14 UNF (C-12-3S)

Model
High performance

Pilot ratio
standard 3:1

Optional pilot piston seal
without pilot piston seal **No designation**
with pilot piston seal **S**

Surface treatment
zinc-coated (ZnNi), ISO 9227 (520 h)

No designation
V

Seals
NBR
FPM (Viton)

Free flow cracking pressure
010 1 bar (14.5 PSI)
030 3 bar (43.5 PSI)
070 7 bar (101.5 PSI)