

4/2 and 4/3 Directional Control Valve, Manually Operated

RPR3-04

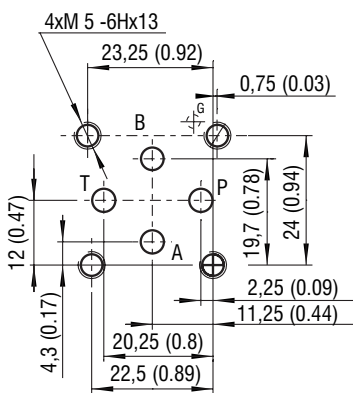
Size 04 (D 02) • Q_{max} 30 l/min (8 GPM) • p_{max} 320 bar (4600 PSI)



Technical Features

- › Direct acting directional control valve with subplate mounting interface acc. to ISO 4401, DIN 24340 (CETOP 02)
- › High transmitted hydraulic power up to 320 bar with optimized design to minimize pressure drop
- › Three chamber housing design for production cost saving
- › Manual lever and actuating section can be rotated in 90° increments for flexible installation
- › Wide range of interchangeable spools available
- › Springless, detented valves available, valve holds last selected position, available for all spools
- › In the standard version the valve body is phosphated. The steel parts are zinc coated (240 h corrosion protection in NSS acc. to ISO 9227). With optional increased surface corrosion protection of the whole valve 520 h in NSS, e.g. for mobile applications.

ISO 4401-02-01-0-05



Ports P, A, B, T - max. \varnothing 4.5 mm (0.18 in)

Model Code	Z11	R11	J15
Symbol			

Technical Data

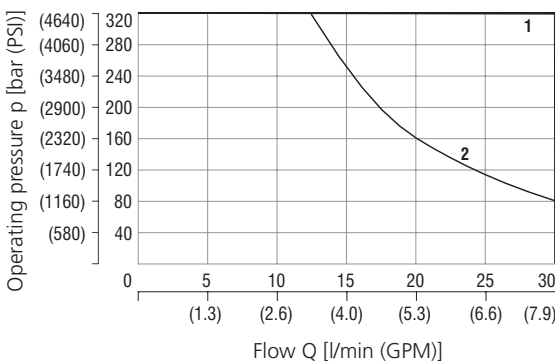
Valve size	04 (D02)	
Max. flow	l/min (GPM)	30 (7.9)
Max. operating pressure at ports P, A & B	bar (PSI)	320 (4640)
Max. operating pressure at port T	bar (PSI)	100 (1450)
Operating force	N (lbf)	< 40 (9)
Fluid temperature range (NBR)	°C (°F)	-30 ... +100 (-22 ... +212)
Fluid temperature range (FPM)	°C (°F)	-20 ... +120 (-4 ... +248)
Service life	cycles	10 ⁶
Weight	kg (lbs)	1 (2.20)

	Datasheet	Type
General information	GI_0060	Products and operating conditions
Mounting interface	SMT_0019	Size 04
Spare parts	SP_8010	

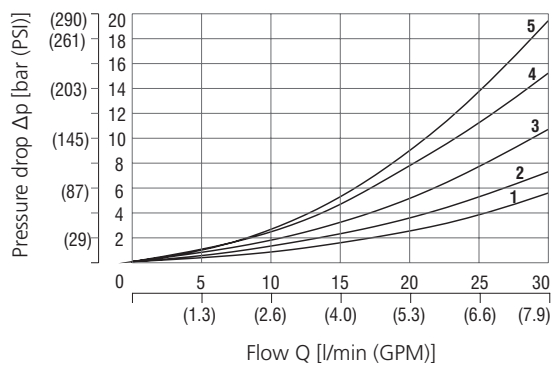
Characteristics measured at $v = 32 \text{ mm}^2/\text{s}$ (156 SUS)

Operating limits

Operating limits for maximum hydraulic power and rated lever force.



Pressure drop related to flow rate

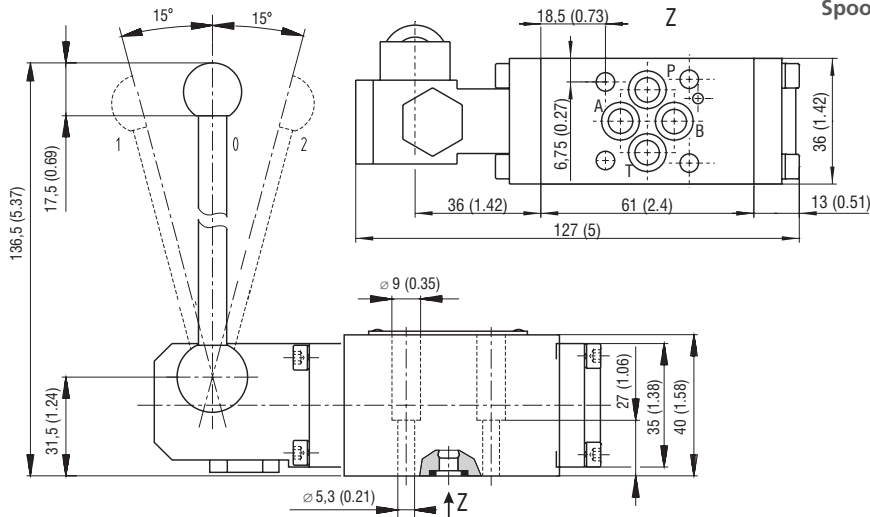


1	Z11	2	L21	1	C15	1	Y35
1	C11	1	Y31	1	H15	1	Y75
1	H11	1	Y71	1	P15	1	J15
1	P11	1	R11	1	Y15	1	J75
1	Y11	1	A51	1	B15	1	R25
1	B11	1	R21	1	L15		
2	L11	1	Z15	1	L25		

	P-A	P-B	A-T	B-T	P-T		P-A	P-B	A-T	B-T	P-T
Z11, Z15	3	2	2	2		B11, B15	3	3	2	1	
C11, C15	5	5	4	4	3	L11, L15	3	2	1	2	4
H11, H15	3	3	2	2	3	L21, L25	2	2	3	3	4
P11, P15	1	1	1	3		Y71, Y75	3	1			
Y11, Y15	3	3	1	1		A51, J75	2	2			
Y31, Y35, R11	3	3	2	2		J15, R21, R25	3	3	2	2	

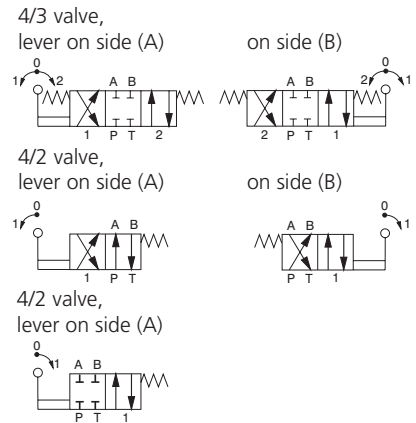
For operating limits under conditions and flow directions other than shown contact our technical support. Admissible operating limits may be considerably lower with only one direction of flow (A or B plugged, or without flow.)

Dimensions in millimeters (inches)



Mounting screws 5+1 Nm (3.7+0.7 lbf.ft)
M5 x 35 DIN 912-10.9 - not supplied

Spool position according to the position of hand lever

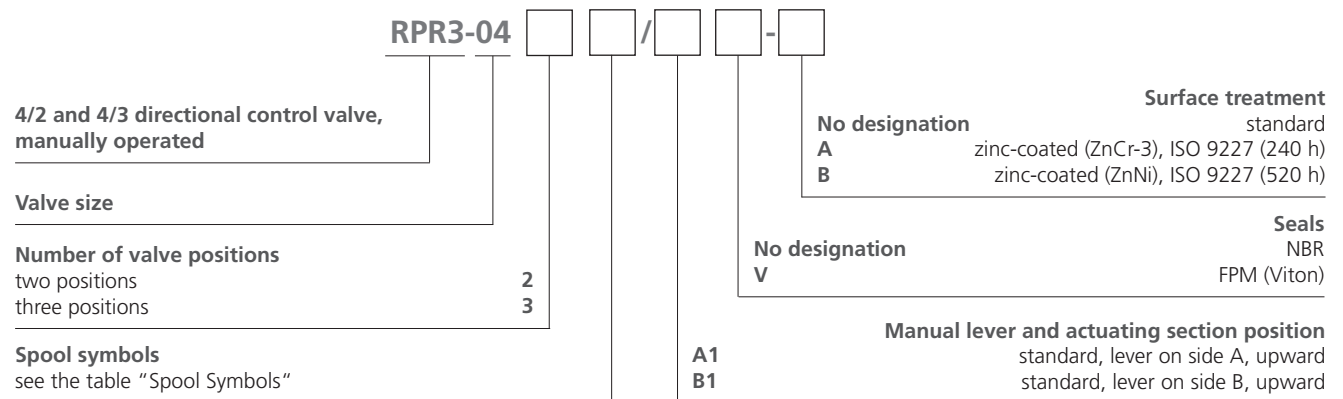


Manual lever and actuating section are shown in the most frequently used standard position. Both elements can be rotated in 90° increments. For other positions of lever and actuating section contact our technical support.

Spool Symbols

Type	Symbol	Interposition	Type	Symbol	Interposition	Type	Symbol	Interposition
Z11			Z15			R11		
C11			C15			A51		
H11			H15			R21		
P11			P15			J15		
Y11			Y15			J75		
B11			B15			P55		
L11			L15			R25		
L21			L25			X11		
Y31			Y35					
Y71			Y75					

Ordering Code



The port restrictor plugs can be ordered separately from the spare parts data sheet HA 8010. The table of spool connections is an overview of preferred and commonly produced types. Contact our technical support for their identification, feasibility and operating limits.