



101 SERIES

ISO-A CARBON STEEL



Manufactured according to ISO 7241-A
(1/2" and 3/4" conform to ISO 5675)

TECHNICAL FEATURES

Operating pressure:	Up to 350 Bar
Materials:	Body: Carbon Steel EN 10277-3 O-rings: NBR / VITON / EPDM Back-up-ring: PTFE Springs: EN 10270-1/SH Balls: AISI 1010/1015
Available Threads:	BSP / NPTF / ISO 11926 (J1926)
Closing System:	Poppet Valve or Ball / C.U.R.P.*
Connection / Disconnection	Sleeve Retraction
Connection Under Pressure:	Not Allowed / Only C.U.R.P. version

Available Size: 1/4" a 2"

Working Temperature (O-rings)

	NBR	Viton	EPDM
	+100°C	+200°C	+150°C
	-30°C	-10°C	-40°C

Sectors: Industrial / Agricultural



Applications: Designed for Hydraulic Oil (Group II-2014/68/EU)

Interchange: FASTER ANV - AEROQUIP FD56
PARKER 6600 - SNAP-TITE 61

**Other upon request.*

MODEL STRUCTURE

Example:

101.11112 BC

Series	Material	Part	Closing	O-rings	Size (S)	Thread	
101.	1 Carbon St.	1 Male	0 Without	0 Without	1 6	2 letters (see Table of Threads page 999-1)	
	2 AISI 316	2 Female	1 Poppet	1 NBR	2 10		
	3 AISI 303		2 Ball	2 VITON	3 13		
	4 Brass		3 C.U.R.P.*	3 EPDM	4 20		
					5 25		
					6 32		
					7 40		
					8 50		

* (S) 13 - 1/2" available only.

101-1

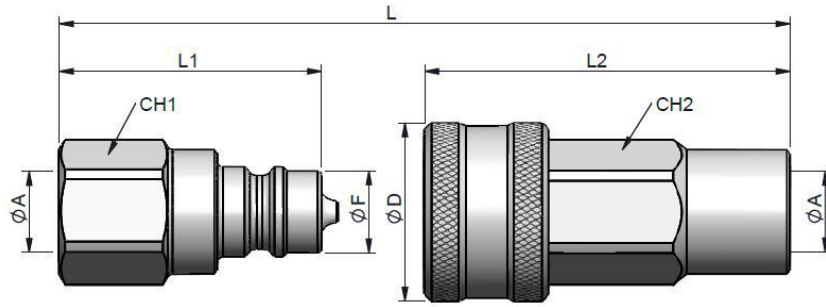




101 SERIES

ISO-A CARBON STEEL

(S) 6 - 1/4"



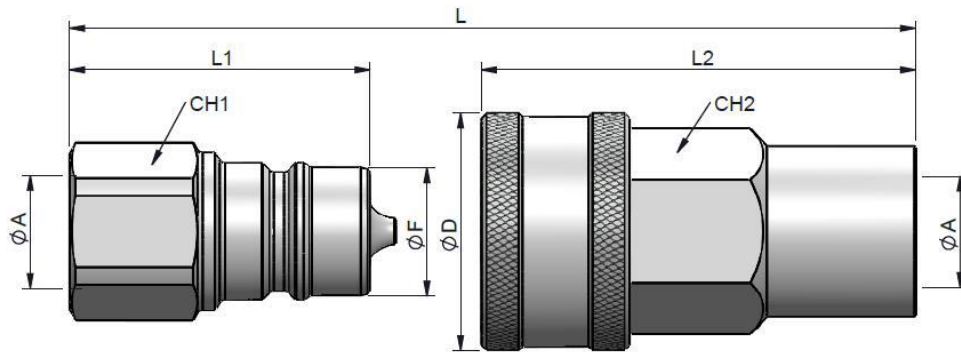
STANDARD MALE MODELS

(S)	ØA	REF.		CH1	L1	ØF	L
6	1/4" BSP	101.11111AB	350	19	38	12	76
	1/4" NPTF	101.11111BB					

STANDARD FEMALE MODELS

(S)	ØA	REF.		CH2	L2	ØD	L
6	1/4" BSP	101.12111AB	350	19	53	26	76
	1/4" NPTF	101.12111BB					

(S) 10 - 3/8"



STANDARD MALE MODELS

(S)	ØA	REF.		CH1	L1	ØF	L
10	3/8" BSP	101.11112AC	300	22	40.5	17	81
	3/8" NPTF	101.11112BC					
	3/8" BSPT	101.11112DC					
	9/16" 18h UNF (ORB)	101.11112GC					

STANDARD FEMALE MODELS

(S)	ØA	REF.		CH2	L2	ØD	L
10	3/8" BSP	101.12112AC	300	24	58.50	32	81
	3/8" NPTF	101.12112BC					
	3/8" BSPT	101.12112DC					
	9/16" 18h UNF (ORB)	101.12112GC					

L= Total length when Male and Female are connected.

101-2

INTEVA reserves the right to make modifications to its products without prior notice. Any external or internal alterations to our products will automatically void the warranty.



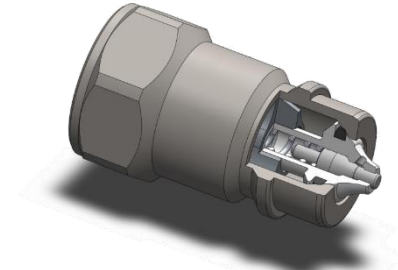
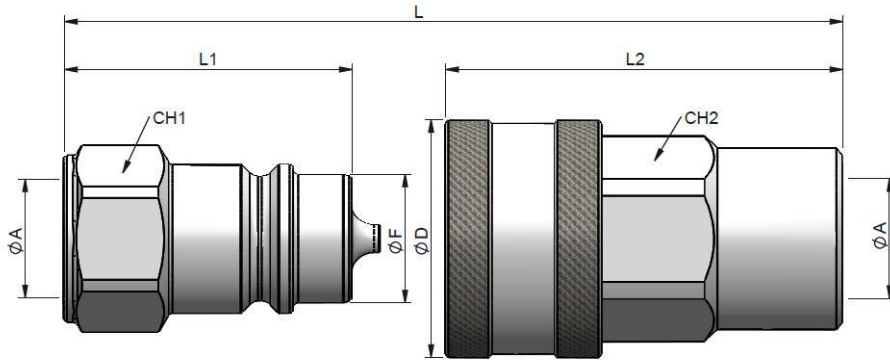
v9



101 SERIES

ISO-A CARBON STEEL

(S) 13 - 1/2"



C.U.R.P. System available
Allowed connection under
residual pressure.

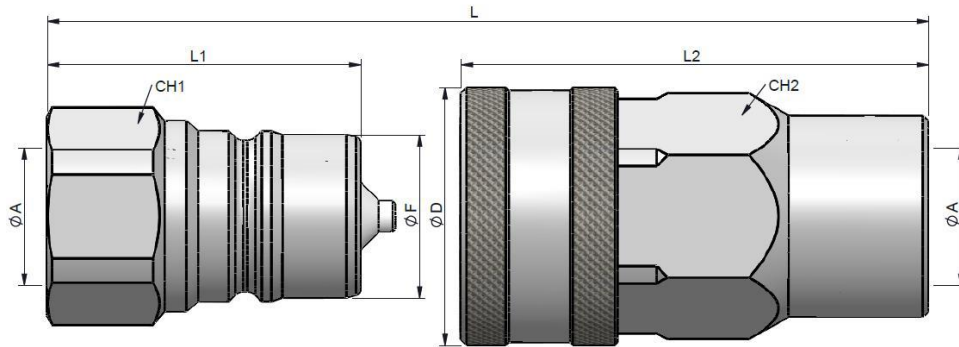
STANDARD MALE MODELS

(S)	ØA	REF.		CH1	L1	ØF	L
13	1/2" BSP	101.11113AD	300	27/30	46	20.50	87.50
	1/2" NPTF	101.11113BD					
	M22X1.5	101.11113NG					
	3/4"-16h UNF (ORB)	101.11113GF					
	7/8"-14h UNF (ORB)	101.11113GH					

STANDARD FEMALE MODELS

(S)	ØA	REF.		CH2	L2	ØD	L
13	1/2" BSP	101.12113AD	300	30	63.50	38	87.50
	1/2" NPTF	101.12113BD					
	M22X1.5	101.12113NG					
	3/4"-16h UNF (ORB)	101.12113GF					
	7/8"-14h UNF (ORB)	101.12113GH					

(S) 20 - 3/4"



STANDARD MALE MODELS

(S)	ØA	REF.		CH1	L1	ØF	L
20	3/4" BSP	101.11114AE	250	36	56	29	112
	3/4" NPTF	101.11114BE					
	1 1/16"-12h UN (ORB)	101.11114GK					

STANDARD FEMALE MODELS

(S)	ØA	REF.		CH2	L2	ØD	L
20	3/4" BSP	101.12114AE	250	38	83.5	46	112
	3/4" NPTF	101.12114BE					
	1 1/16"-12h UN (ORB)	101.12114GK					

L= Total length when Male and Female are connected.

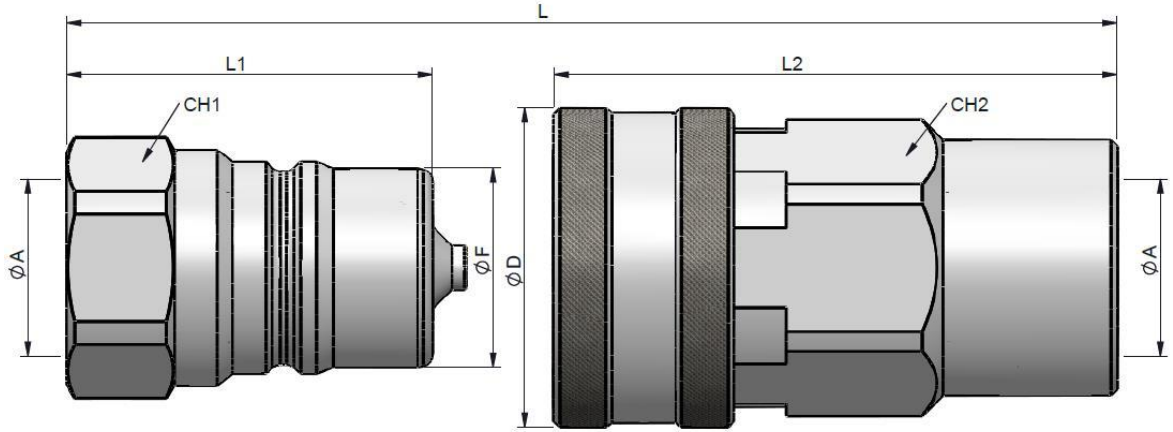


101 SERIES

ISO-A CARBON STEEL



(S) 25 - 1"



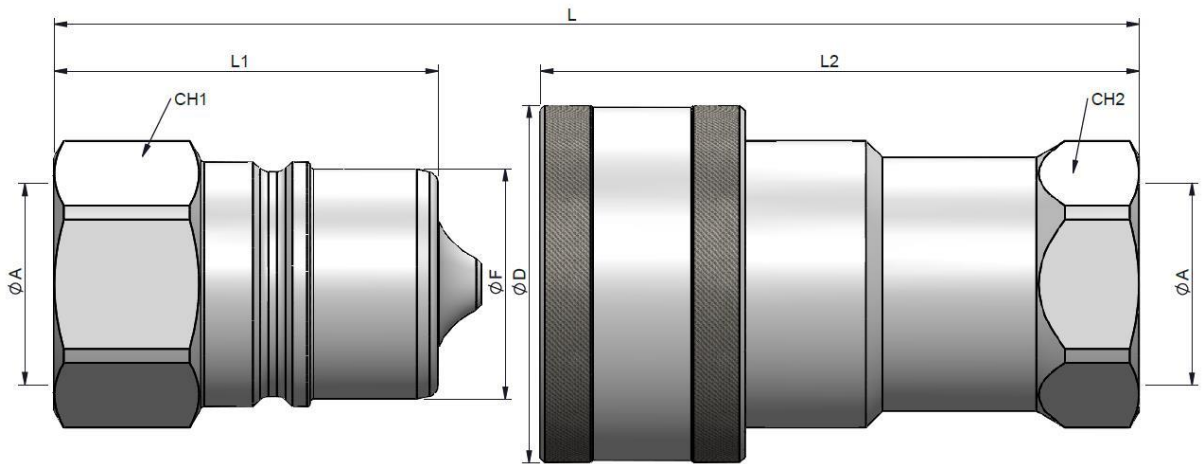
STANDARD MALE MODELS

(S)	ØA	REF.		CH1	L1	ØF	L
25	1" BSP	101.11115AF		41	63	34	126
	1" NPTF	101.11115BF					
	1 5/16"-12h UN (ORB)	101.11115GO					

STANDARD FEMALE MODELS

(S)	ØA	REF.		CH2	L2	ØD	L
25	1" BSP	101.12115AF		46	97	55	126
	1" NPTF	101.12115BF					
	1 5/16"-12h UN (ORB)	101.12115GO					

(S) 32 - 1 1/4"



(S)	ØA	REF.		CH1	L1	ØF	L
32	1 1/4" BSP	101.11116AG		50	75	45	150
	1 1/4" NPTF	101.11116BG					

(S)	ØA	REF.		CH1	L1	ØF	L
32	1 1/4" BSP	101.12116AG		50	117	70	150
	1 1/4" NPTF	101.12116BG					

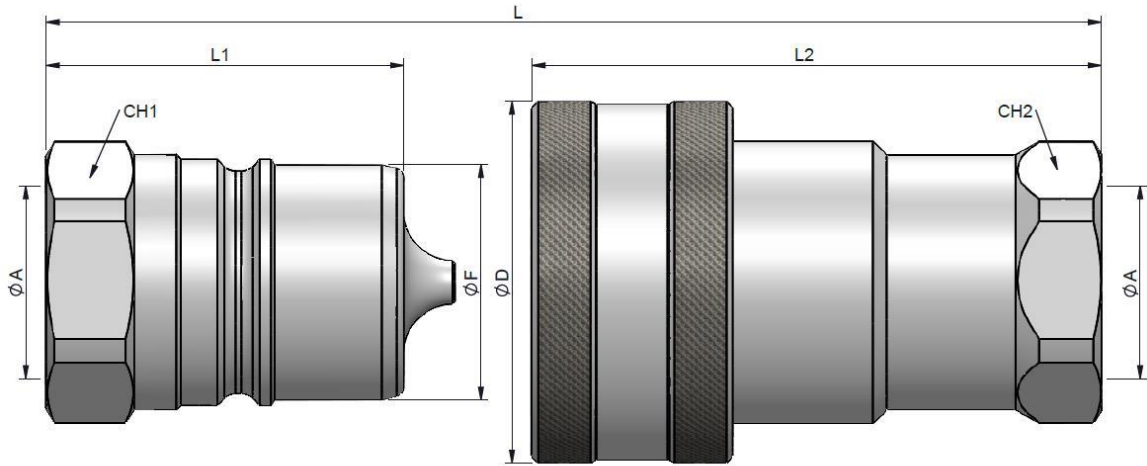
L= Total length when Male and Female are connected.



101 SERIES

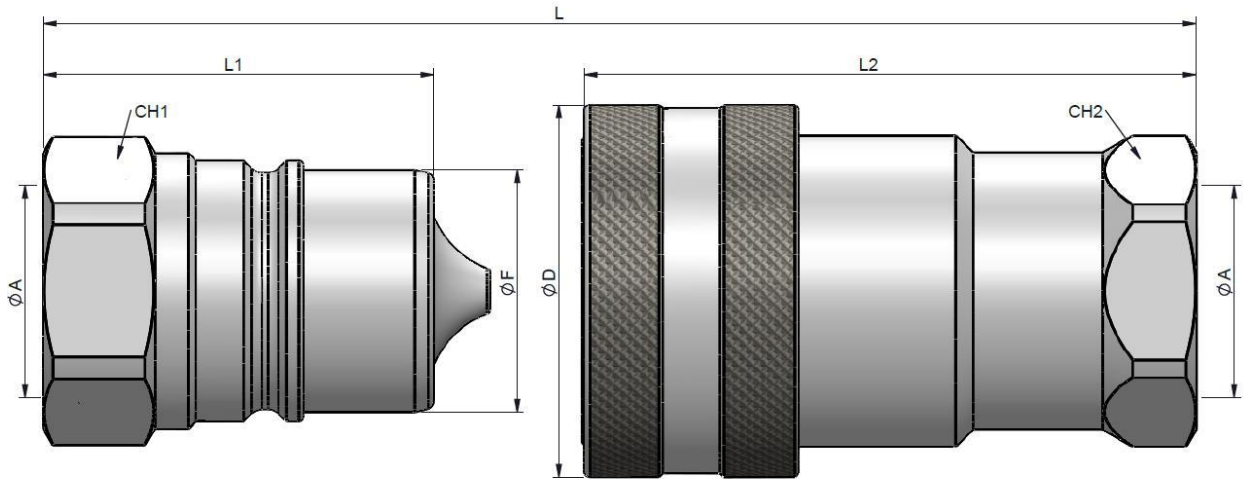
ISO-A CARBON STEEL

(S) 40 - 1 1/2"



(S)	ØA	REF.		CH1	L1	ØF	L	(S)	ØA	REF.		CH2	L2	ØD	L
40	1 1/2" BSP	101.11117AH	200	60	83.5	55	167	40	1 1/2" BSP	101.12117AH	200	60	133	84.50	167
	1 1/2" NPTF	101.11117BH													

(S) 50 - 2"



STANDARD MALE MODELS

(S)	ØA	REF.		CH1	L1	ØF	L
50	2" BSP	101.11118AI	130	75	105	65	210
	2" NPTF	101.11118BI					

STANDARD FEMALE MODELS

(S)	ØA	REF.		CH2	L2	ØD	L
50	2" BSP	101.12118AI	130	75	165	100	210
	2" NPTF	101.12118BI					

L= Total length when Male and Female are connected.



101 SERIES

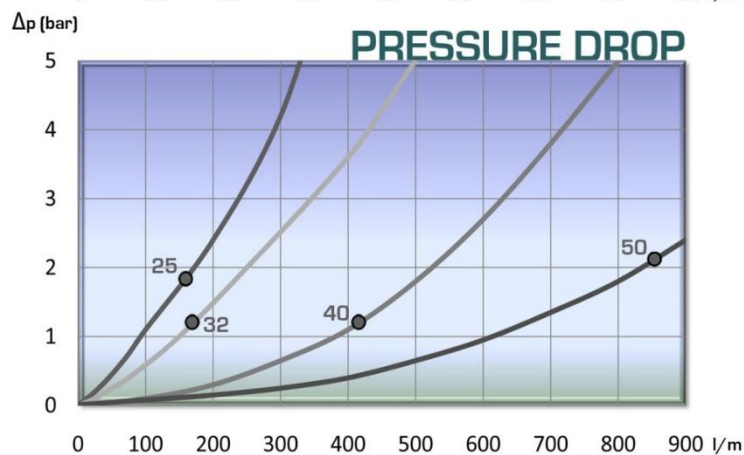
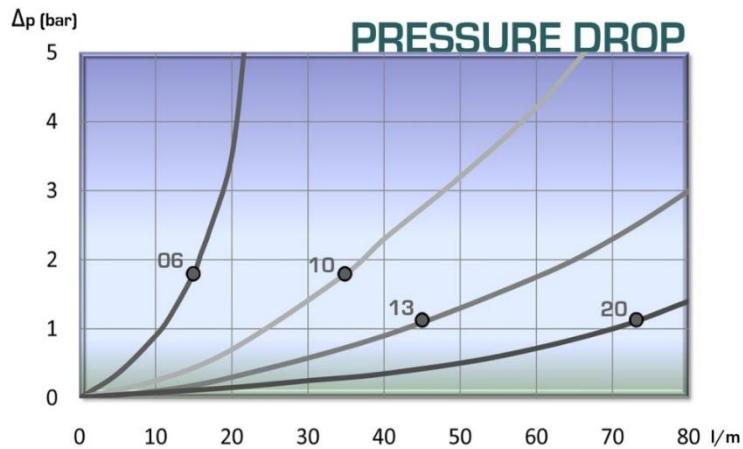
ISO-A CARBON STEEL



TECHNICAL DATA

(S)	Rated Flow	Min Burst Pressure (Bar)			Operating pressure Bar
		Male	Female	Coupled	
6	15 l/min	1650	1800	1400	350
10	35 l/min	1250	1350	1200	300
13	45 l/min	1200	1300	1200	300
20	74 l/min	1030	1200	1000	250
25	100 l/min	950	980	920	230
32	118 l/min	800	950	920	230
40	410 l/min	750	850	800	200
50	860 l/min	620	650	520	130

Test performed according to ISO 18869





101 SERIES

ISO-A

STAINLESS STEEL (AISI 316)
BRASS

Manufactured according to ISO 7241-A
(Measure 1/2" according to iso 5675 requirements)

TECHNICAL FEATURES

Operating pressure:	Up to 280 Bar	
Materials:	Body:	AISI 303 / AISI316 / BRASS
	O-rings:	NBR / VITON / EPDM
	Back-up-ring:	PTFE
	Springs:	EN 10270-1/SH
	Balls:	AISI 1010/1015/AISI SS 316
Available Threads:	BSP / NPTF / ISO 11926 (J1926)	
Closing System:	Poppet Valve or Ball	
Connection / Disconnection	Sleeve Retraction	
Connection Under Pressure:	Not Allowed	

Available Size: 1/4" a 2"

Working Temperature (O-rings)

	NBR	Viton	EPDM
	+100°C	+200°C	+150°C
	-30°C	-10°C	-40°C

Sectors: Industrial / Agricultural



Applications: Designed for Hydraulic Oil (Group II-2014/68/EU)

Interchange: FASTER ANV - AEROQUIP FD56
PARKER 6600 - SNAP-TITE 61

**Other upon request.*

MODEL STRUCTURE

Example:

101.21123 AD

Series	Material	Part	Closing	O-rings	Size (S)	Thread			
101.	1 Carbon St.	1 Male	0 Without	0 Without	1 6	1/4"	2 letters (see Table of Threads page 999-1)		
	2 AISI 316	2 Female	1 Poppet	1 NBR	2 10			3/8"	
	3 AISI 303		2 Ball	2 VITON	3 13			1/2"	
	4 Brass			3 EPDM	4 20			3/4"	
					5 25			1"	
					6 32			1 1/4"	
					7 40			1 1/2"	
					8 50			2"	

101-7

INTEVA reserves the right to make modifications to its products without prior notice. Any external or internal alterations to our products will automatically void the warranty.



v9



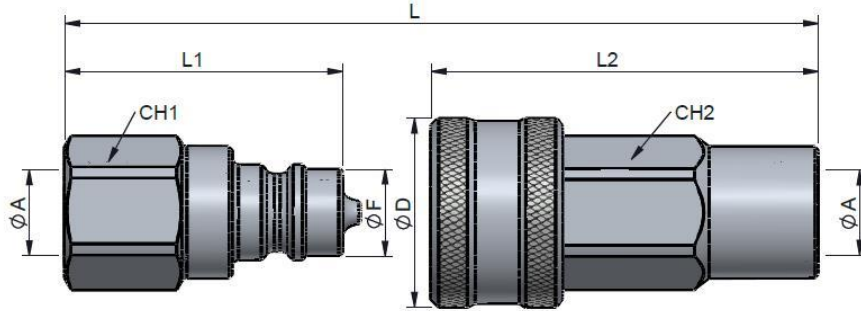
101 SERIES

ISO-A

STAINLESS STEEL
(AISI 316)



(S) 6 - 1/4"



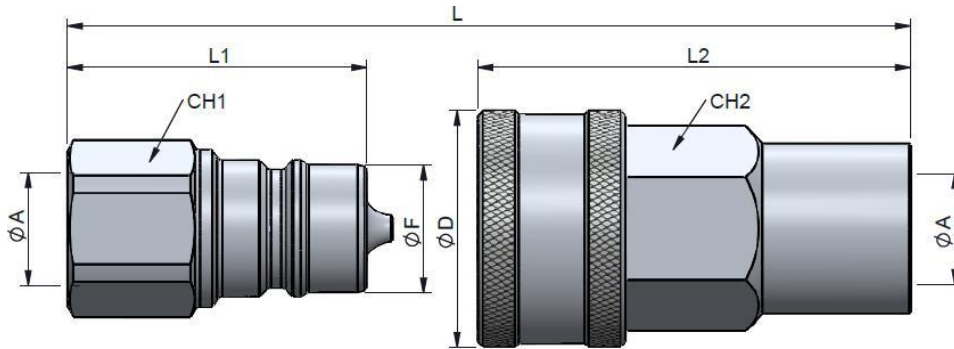
STANDARD MALE MODELS

(S)	ØA	REF.		CH1	L1	ØF	L
6	1/4" BSP	101.21121AB	280	19	38	12	76
	1/4" NPTF	101.21121BB					

STANDARD FEMALE MODELS

(S)	ØA	REF.		CH2	L2	ØD	L
6	1/4" BSP	101.22121AB	280	19	53	26	76
	1/4" NPTF	101.22121BB					

(S) 10 - 3/8"



STANDARD MALE MODELS

(S)	ØA	REF.		CH1	L1	ØF	L
10	3/8" BSP	101.21122AC	260	22	40.5	17	81
	3/8" NPTF	101.21122BC					
	3/8" BSPT	101.21122DC					
	9/16"-18h UNF (ORB)	101.21122GC					

STANDARD FEMALE MODELS

(S)	ØA	REF.		CH2	L2	ØD	L
10	3/8" BSP	101.22122AC	260	24	58.50	32	81
	3/8" NPTF	101.22122BC					
	3/8" BSPT	101.22122DC					
	9/16"-18h UNF (ORB)	101.22122GC					

L= Total length when Male and Female are connected.

101-8

INTEVA reserves the right to make modifications to its products without prior notice. Any external or internal alterations to our products will automatically void the warranty.



v9

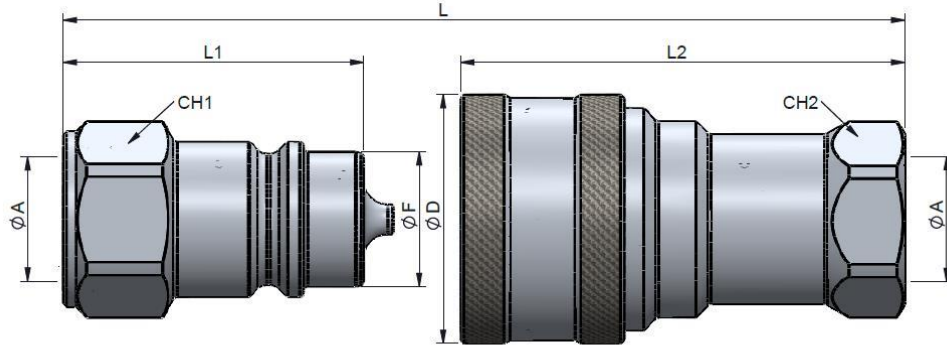


101 SERIES

ISO-A STAINLESS STEEL (AISI 316)



(S) 13 - 1/2"

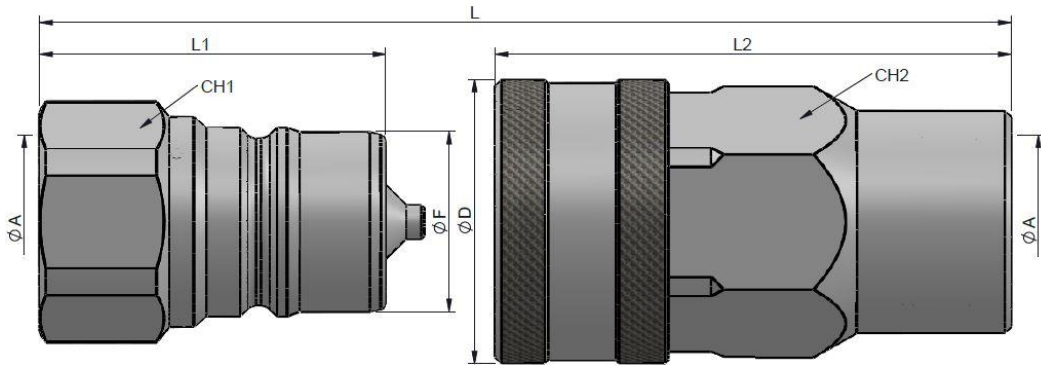


S

(S)	ØA	REF.		CH1	L1	ØF	L
13	1/2" BSP	101.21123AD	260	27/30	46	20.50	87.50
	1/2" NPTF	101.21123BD					
	M22X1.5	101.21123NG					
	3/4"-16h UNF (ORB)	101.21123GF					
	7/8"-14h UNF (ORB)	101.21123GH					

(S)	ØA	REF.		CH2	L2	ØD	L
13	1/2" BSP	101.22123AD	260	30	63.50	38	87.50
	1/2" NPTF	101.22123BD					
	M22X1.5	101.22123NG					
	3/4"-16h UNF (ORB)	101.22123GF					
	7/8"-14h UNF (ORB)	101.22123GH					

(S) 20 - 3/4"



STANDARD MALE MODELS

(S)	ØA	REF.		CH1	L1	ØF	L
20	3/4" BSP	101.21124AE	210	36	56	29	112
	3/4" NPTF	101.21124BE					
	1 1/16"- 12h UN (ORB)	101.21124GK					

STANDARD FEMALE MODELS

(S)	ØA	REF.		CH2	L2	ØD	L
20	3/4" BSP	101.22124AE	210	38	83.5	46	112
	3/4" NPTF	101.22124BE					
	1 1/16"- 12h UN (ORB)	101.22124GK					

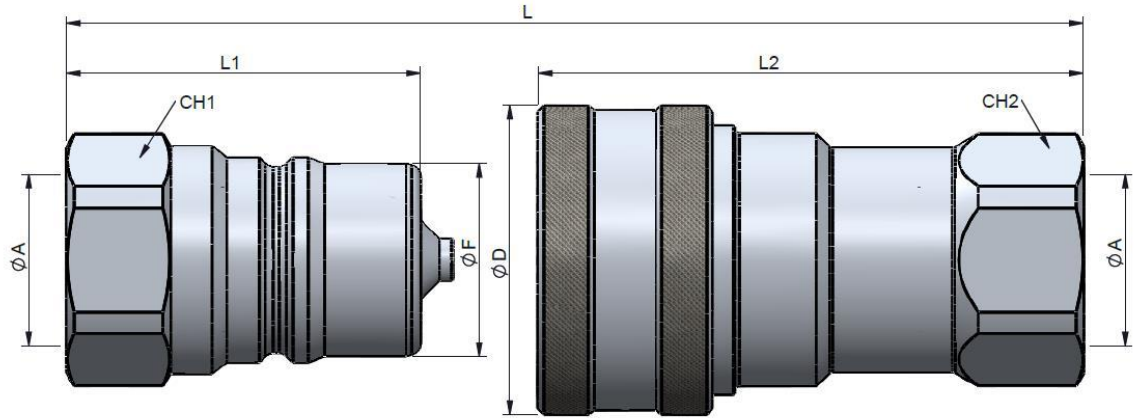
L= Total length when Male and Female are connected.



101 SERIES

ISO-A STAINLESS STEEL (AISI 316)

(S) 25 - 1"



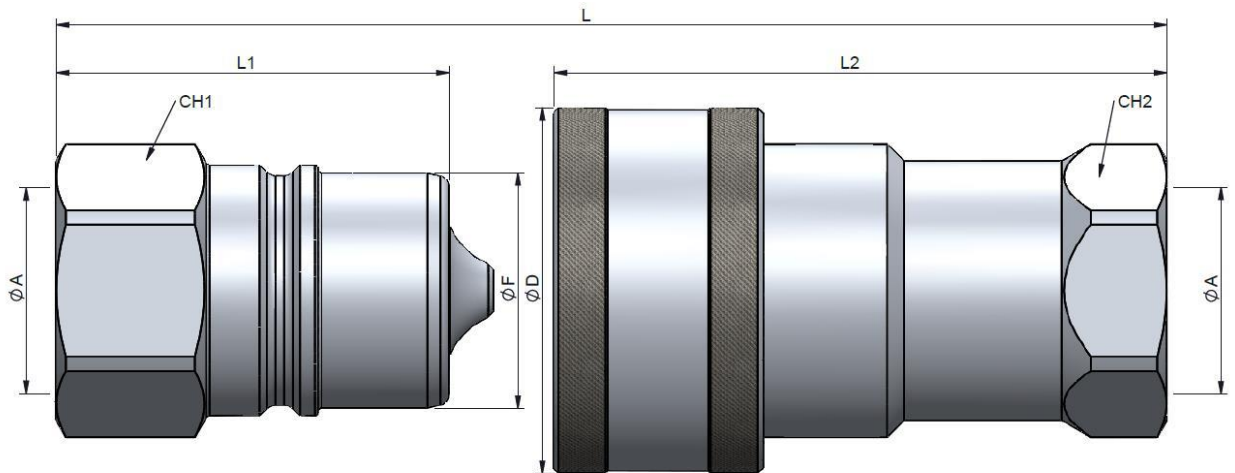
STANDARD MALE MODELS

(S)	ØA	REF.		CH1	L1	ØF	L
25	1" BSP	101.21125AF		41	63	34	126
	1" NPTF	101.21125BF					
	1 5/16"-12h UN (ORB)	101.21125GO					

STANDARD FEMALE MODELS

(S)	ØA	REF.		CH2	L2	ØD	L
25	1" BSP	101.22125AF		46	97	55	126
	1" NPTF	101.22125BF					
	1 5/16"-12h UN (ORB)	101.22125GO					

(S) 32 - 1 1/4"



STANDARD MALE MODELS

(S)	ØA	REF.		CH1	L1	ØF	L
32	1 1/4" BSP	101.21126AG		50	75	45	150
	1 1/4" NPTF	101.21126BG					

STANDARD FEMALE MODELS

(S)	ØA	REF.		CH2	L2	ØD	L
32	1 1/4" BSP	101.22126AG		50	117	70	150
	1 1/4" NPTF	101.22126BG					

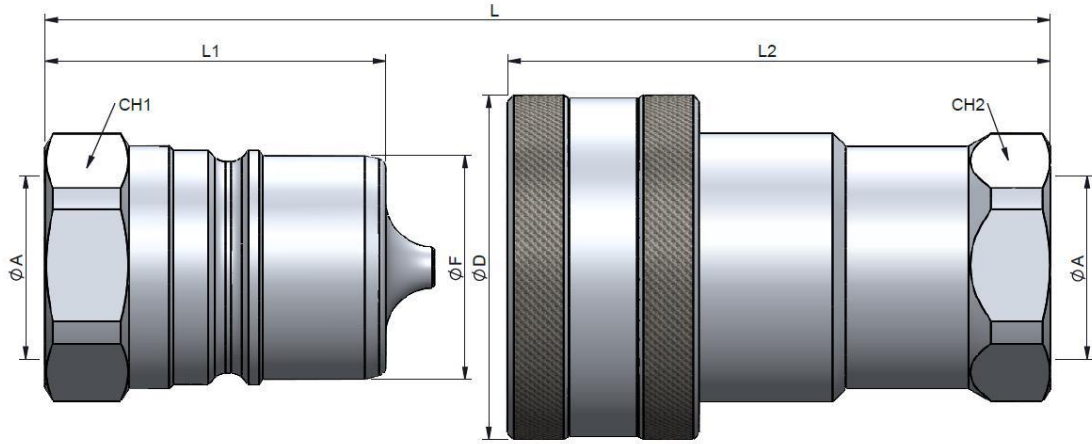
L= Total length when Male and Female are connected.



101 SERIES

ISO-A STAINLESS STEEL (AISI 316)

(S) 40 - 1 1/2"



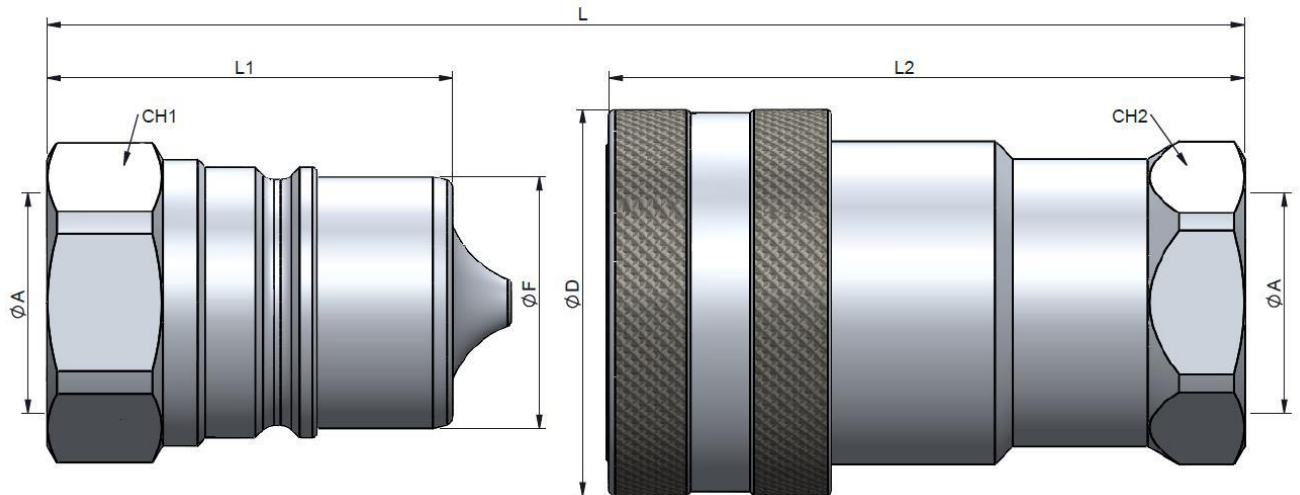
STANDARD MALE MODELS

(S)	ØA	REF.		CH1	L1	ØF	L
40	1 1/2" BSP	101.21127AH	120	60	83	55	167
	1 1/2" NPTF	101.21127BH					

STANDARD FEMALE MODELS

(S)	ØA	REF.		CH2	L2	ØD	L
40	1 1/2" BSP	101.22127AH	120	60	133	84.50	167
	1 1/2" NPTF	101.22127BH					

(S) 50 - 2"



STANDARD MALE MODELS

(S)	ØA	REF.		CH1	L1	ØF	L
50	2" BSP	101.21128AI	100	75	105	65	210
	2" NPTF	101.21128BI					

STANDARD FEMALE MODELS

(S)	ØA	REF.		CH2	L2	ØD	L
50	2" BSP	101.22128AI	100	75	165	100	210
	2" NPTF	101.22128BI					

L= Total length when Male and Female are connected.

101-11

INTEVA reserves the right to make modifications to its products without prior notice. Any external or internal alterations to our products will automatically void the warranty.



v9



101 SERIES

ISO-A

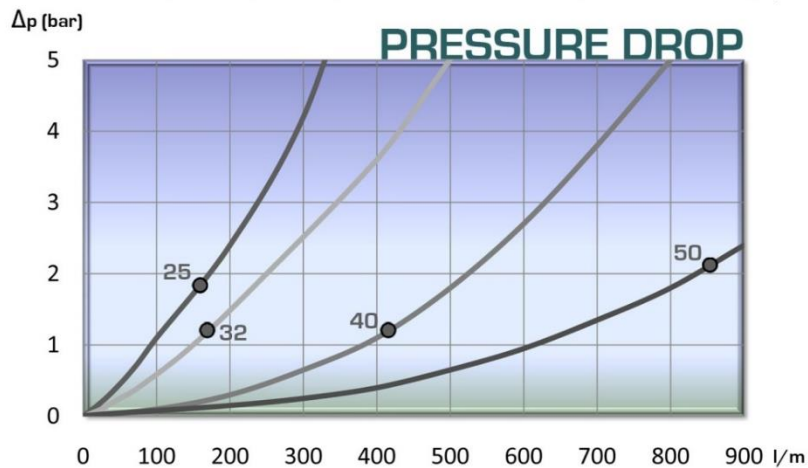
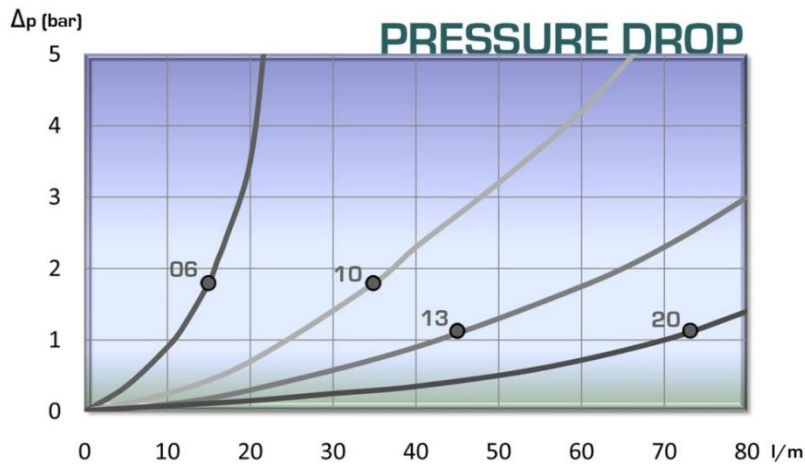
STAINLESS STEEL
(AISI 316)

INTEVA

TECHNICAL DATA

(S)	Rated Flow	Min Burst Pressure (Bar)			Operating pressure Bar
		Male	Female	Coupled	
6	15 l/min	1150	1200	1250	280
10	35 l/min	16.30	1075	1200	260
13	45 l/min	1050	1150	1200	260
20	74 l/min	855	875	900	210
25	100 l/min	850	875	900	210
32	118 l/min	500	500	650	140
40	410 l/min	480	500	600	120
50	860 l/min	405	415	550	100

Test performed according to ISO 18869



101-12

INTEVA reserves the right to make modifications to its products without prior notice. Any external or internal alterations to our products will automatically void the warranty.



v9



101 SERIES ISO-A PLUGS & CAPS




Designed to protect Female (coupler) and Male (nipple) parts while they are disconnected.
Manufactured according to ISO 7241-A norm (Size 13 - ISO 5675)

MODEL STRUCTURE / DIMENSIONS

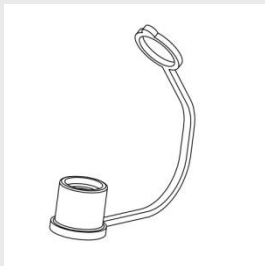
Example:

101.5333 AA

Series	Material	Part	Colour	Size (S)	Type	
101.	1 Carbon St.	3 Plug	0 Plain Metal	1 6	AA	
	5 Plastic	4 Cap	1 Red	2 10		
	6 Aluminium	5 Parking	2 Blue	3 13		1/4"
			3 Yellow	4 20		3/8"
			4 Green	5 25		1/2"
			5 Black			3/4"
6 White			1"			



PLUG (Coupler)						
(S)	RED	BLUE	YELLOW	GREEN	BLACK	WHITE
6	101.5311AA	*	*	*	*	*
10	101.5312AA	*	*	*	*	*
13	101.5313AA	*	*	*	*	*
20	101.5314AA	*	*	*	*	*
25	101.5315AA	*	*	*	*	*



CAP (Nipple)						
(S)	RED	BLUE	YELLOW	GREEN	BLACK	WHITE
6	101.5411AA	*	*	*	*	*
10	101.5412AA	*	*	*	*	*
13	101.5413AA	*	*	*	*	*
20	101.5414AA	*	*	*	*	*
25	101.5415AA	*	*	*	*	*

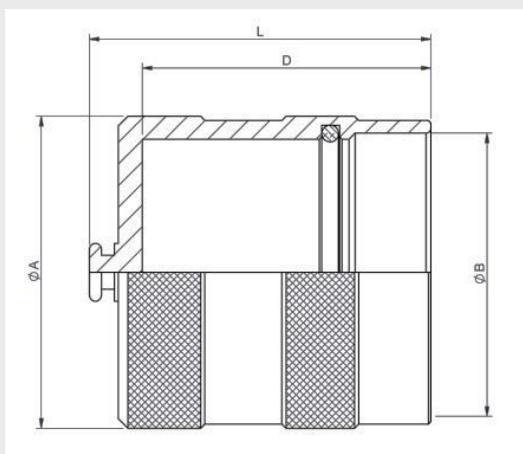
* Not available. Only (S) 13 - 1/2" on minimum request.



101 SERIES ISO-A CAPS & PLUGS ALUMINIUM

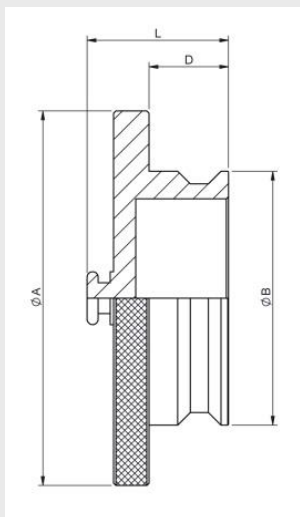
Designed to protect Female (coupler) and Male (nipple) parts while they are disconnected.
Manufactured according to ISO 7241-A norm.

MODEL STRUCTURE / DIMENSIONS



CAP

(S)	ØA	REF.	ØB	L	D
32	59	101.6406AA	48	66	55
40	64.8	101.6407AA	57.8	71	60
50	80	101.6408AA	70.2	80	75



PLUG (Coupler)

(S)	ØA	REF.	ØB	L	D
32	69.5	101.6306AA	47.7	30	16
40	84.8	101.6307AA	57.5	32	18
50	100	101.6308AA	69.8	33	25



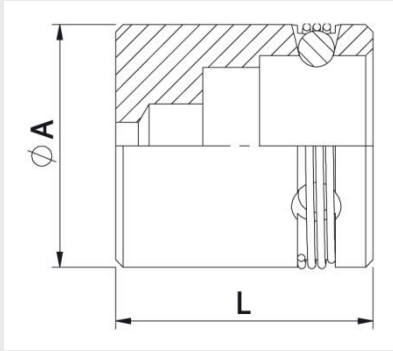
101 SERIES

ISO-A

PARKINGS
CARBON STEEL

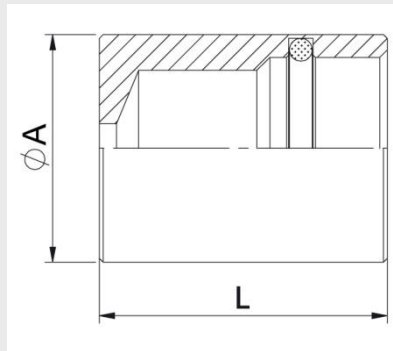


MODEL STRUCTURE / DIMENSIONS



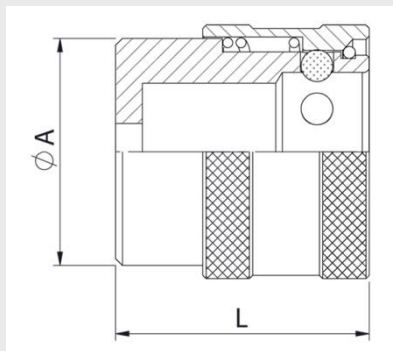
Parking 3B

(S)	REF.	ØA	L
13	101.1533AA	32	34



Parking 1T

(S)	REF.	ØA	L
13	101.1533AC	30	38



Parking 6B

(S)	REF.	ØA	L
13	101.1533AB	34	38



102 SERIES ISO-A MULTI-THREADS



Manufactured according to ISO 7241-A
(Size 13 - 1/2" according to ISO 5675 requirements)

TECHNICAL FEATURES

Operating pressure:	Up to 350 Bar	
Materials:	Body:	Carbon Steel EN -10277-3
	O-rings:	NBR / VITON / EPDM
	Back-up-ring:	PTFE
	Springs:	EN 10270-1/SH
	Balls:	AISI 1010/1015
Available Threads:	BSP / NPTF / ISO 11926 (J1926) ISO 9974 (DIN 3852) / DIN 2353 (ISO 8434-1)	
Closing System:	Poppet Valve or Ball / C.U.R.P.*	
Connection / Disconnection	Sleeve Retraction	
Connection Under Pressure:	Not Allowed	

Available Size: 1/4" a 1"

Working Temperature (O-rings)

	NBR	Viton	EPDM
	+100°C	+200°C	+150°C
	-30°C	-10°C	-40°C

Sectors: Industrial / Agricultural



Applications: Designed for Hydraulic Oil (Group II-2014/68/EU)

Interchange: FASTER ANV - AEROQUIP FD56
PARKER 6600 - SNAP-TITE 61

**Other upon request.*

MODEL STRUCTURE

Example:

102.11112 JE

Series	Material	Part	Closing	O-rings	Size (S)	Thread
102.	1 Carbon St.	1 Male 2 Female	0 Without 1 Poppet 2 Ball 3 C.U.R.P.*	0 Without 1 NBR 2 VITON 3 EPDM	1 6 2 10 3 13 4 20 5 25	1/4" 3/8" 1/2" 3/4" 1"

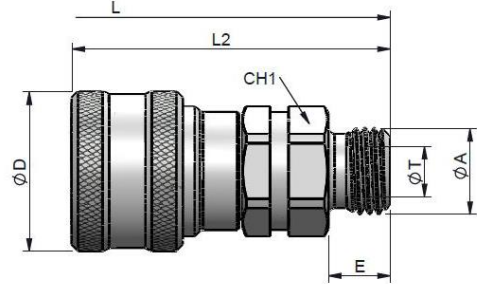
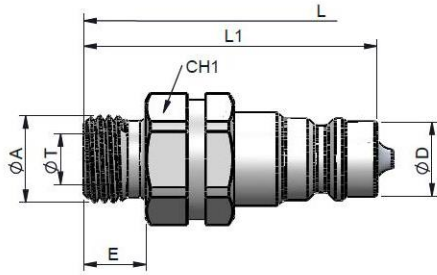
* (S) 13 - 1/2" available only.



102 SERIES ISO-A

MULTI-THREADS
THREAD MALE 24° CONE
DIN 2353 (ISO 8434-1)

(S) 06 - 1/4"

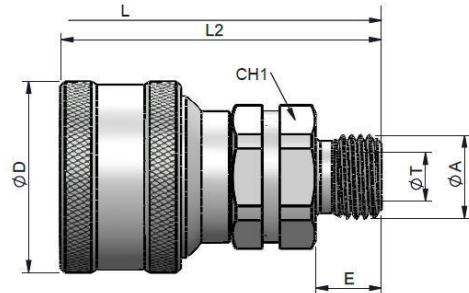
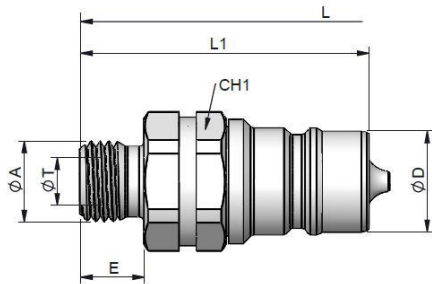


STANDARD MALE MODELS

STANDARD FEMALE MODELS

(S)	ØA	ØT	L	REF.		CH1	L1	ØD	E	REF.		CH1	L2	ØD	E
6	M12x1.5	LIGERA 6L	-	102.11111JB	350	19	*	26	12	102.12111JB	350	19	*	26	12
	M14x1.5	LIGERA 8L		102.11111JC						102.12111JC					

(S) 10 - 3/8"



STANDARD MALE MODELS

STANDARD FEMALE MODELS

(S)	ØA	ØT	L	REF.		CH1	L1	ØD	E	REF.		CH1	L2	ØD	E
10	3/8" BSP	*	-	102.11112AN	300	22	*	17.25	12	102.12112AN	300	22	*	32	12
	M14x1.5	LIGERA 8L		102.11112JC						102.12112JC					
	M16x1.5	LIGERA 10L		102.11112JD						102.12112JD					
	M18x1.5	LIGERA 12L		102.11112JE						102.12112JE					
	M16x1.5	PESADA 8S		102.11112KD						102.12112KD					
	M18x1.5	PESADA 10S		102.11112KE						102.12112KE					
	M20x1.5	PESADA 12S		102.11112KF						102.12112KF					

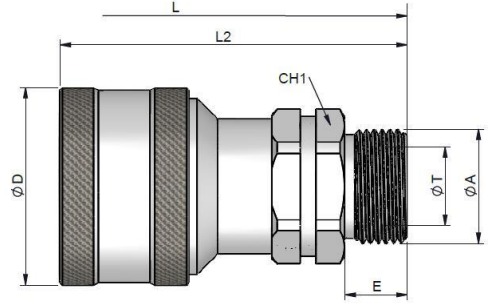
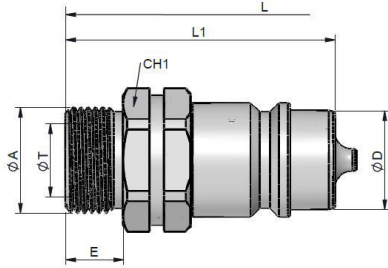


102 SERIES

ISO-A

MULTI-THREADS
THREAD MALE 24° CONE
DIN 2353 (ISO 8434-1)

(S) 13 - 1/2"

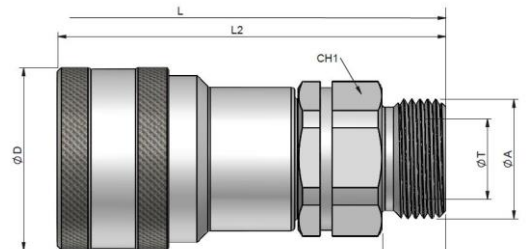
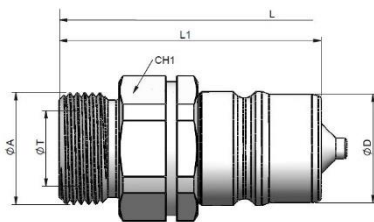


STANDARD MALE MODELS

STANDARD FEMALE MODELS

(S)	ØA	ØT	L	REF.		CH1	L1	ØD	E	REF.		CH1	L2	ØD	E
13	M14x1.5	LIGERA	8L	102.11113JC	300	27	*	20.56	12	102.12113JC	300	27	*	38	12
	M16x1.5		10L	102.11113JD						102.12113JD					
	M18x1.5		12L	102.11113JE						102.12113JE					
	M22x1.5		15L	102.11113JG						102.12113JG					
	M26x1.5	PESADA	18L	102.11113JI						102.12113JI					
	M18x1.5		10S	102.11113KE						102.12113KE					
	M20x1.5		12S	102.11113KF						102.12113KF					
	M22x1.5		14S	102.11113KG						102.12113KG					
	M24x1.5		16S	102.11113KH						102.12113KH					

(S) 20 - 3/4"



STANDARD MALE MODELS

STANDARD FEMALE MODELS

(S)	ØA	ØT	L	REF.		CH1	L1	ØD	E	REF.		CH1	L2	ØD	E
20	M18x1.5	LIGERA	12L	102.11114JE	250	36	*	29	12	102.12114JE	250	36	*	46	12
	M22x1.5		15L	102.11114JG						102.12114JG					
	M26x1.5		18L	102.11114JI						102.12114JI					
	M30x2.0		22L	102.11114JJ						102.12114JJ					
	M24x1.5	PESADA	16S	102.11114KH					102.12114KH						
	M30x2.0		20S	102.11114KJ					102.12114KJ						

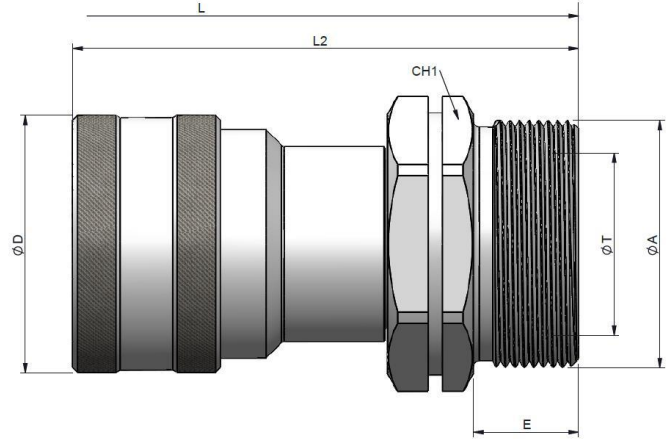
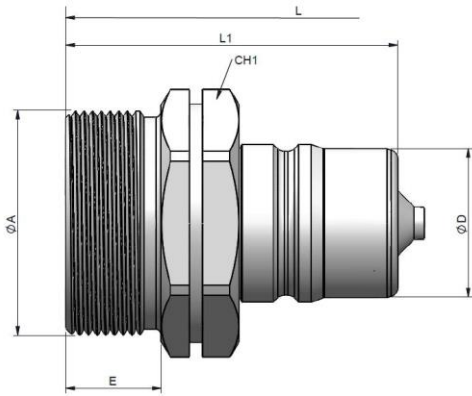


102 SERIES

ISO-A

MULTI-THREADS
 THREAD MALE 24° CONE
 DIN 2353 (ISO 8434-1)

(S) 25 - 1"



STANDARD MALE MODELS

STANDARD FEMALE MODELS

(S)	ØA	ØT	L	REF.		CH1	L1	ØD	E	REF.		CH1	L2	ØD	E								
20	M26x1.5	LIGERA	18L	102.11115JI		41	*	34.3	12	102.12115JI		41	*	55	12								
	M30x2		22L	102.11115JJ					18	102.12115JJ					18								
	M36x2		28L	102.11115JK						102.12115JK													
	M45x2		35L	102.11115JM					102.12115JM														
	M30x2	PESADA	20S	102.11115KJ						46					55	20	102.12115KN		55	*	55	18	
	M36x2		25S	102.11115KK																			102.12115KK
	M42x2		30S	102.11115KL																			102.12115KL
	M52x2		38S	102.11115KN																			102.12115KN

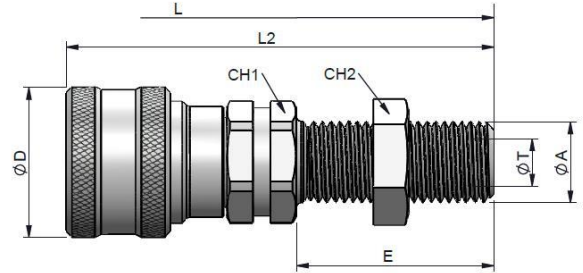
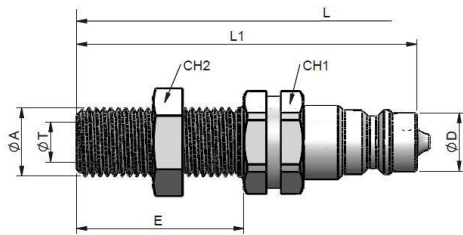


102 SERIES

ISO-A

MULTI-THREADS
THREAD MALE BULKHEAD 24° CONE
DIN 2353 (ISO 8434-1)

(S) 06 - 1/4"

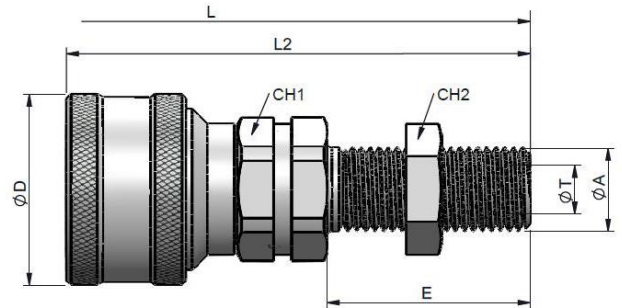
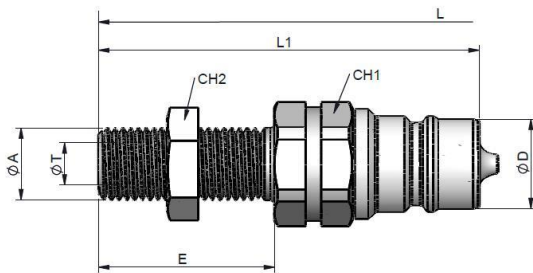


STANDARD MALE MODELS

STANDARD FEMALE MODELS

(S)	ØA	ØT	L	REF.		CH1	CH2	L1	ØD	E	REF.		CH1	CH2	L2	ØD	E
6	M12x1.5	LIGERA 6L	-	102.11111LB	350	19	19	*	11.8	25	102.12111LB	350	19	19	*	11.8	25
	M14x1.5	LIGERA 8L	-	102.11111LC						34	102.12111LC						34

(S) 10 - 3/8"



STANDARD MALE MODELS

STANDARD FEMALE MODELS

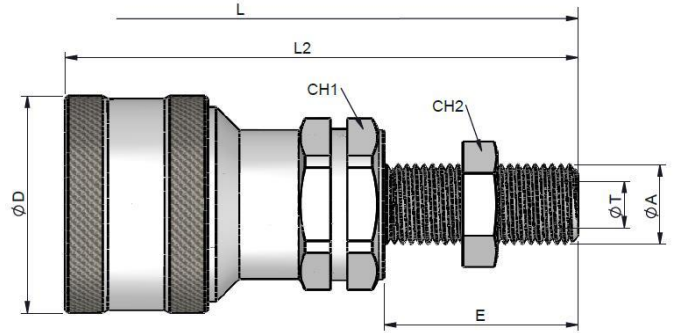
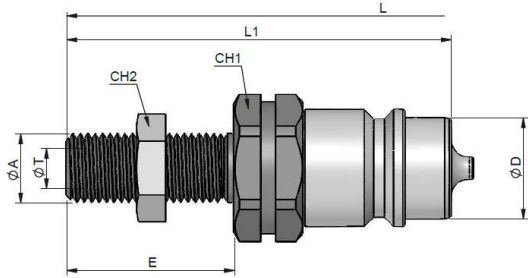
(S)	ØA	ØT	L	REF.		CH1	CH2	L1	ØD	E	REF.		CH1	CH2	L2	ØD	E			
10	M14x1.5	LIGERA 8L	-	102.11112LC	300	22	22	*	17.25	34	102.12112LC	300	22	22	*	17.25	34			
	M16x1.5	LIGERA 10L	-	102.11112LD						26	102.12112LD						26			
	M18x1.5	LIGERA 12L	-	102.11112LE						27	102.12112LE						27			
	M16x1.5	PESADA 8S	-	102.11112MD						27	24						22	27	102.12112MD	27
	M18x1.5	PESADA 10S	-	102.11112ME															102.12112ME	
	M20x1.5	PESADA 12S	-	102.11112MF															102.12112MF	



102 SERIES ISO-A

MULTI-THREADS
THREAD MALE BULKHEAD 24° CONE
DIN 2353 (ISO 8434-1)

(S) 13 - 1/2"

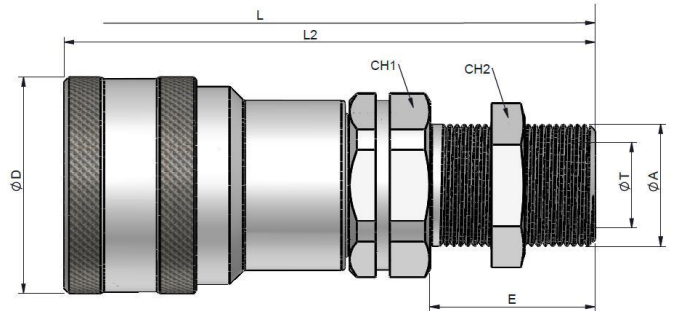
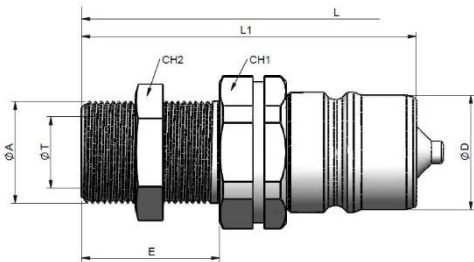


STANDARD MALE MODELS

STANDARD FEMALE MODELS

(S)	ØA	ØT	L	REF.		CH1	CH2	L1	ØD	E	REF.		CH1	CH2	L2	ØD	E	
13	M14x1.5	LIGERA	8L	102.11113LC	300	27	*	20.56	300	27	19	102.12113LC	300	27	*	20.56	300	34
	M16x1.5		10L	102.11113LD							22	102.12113LD						35
	M18x1.5		12L	102.11113LE							24	102.12113LE						24
	M22x1.5	15L	102.11113LG	27							102.12113LG	27						
	M26x1.5	18L	102.11113LI	30							102.12113LI	33						
	M18x1.5	PESADA	10S	102.11113ME							24	102.12113ME						24
	M20x1.5		12S	102.11113MF							22	102.12113MF						22
	M22x1.5		14S	102.11113MG							27	102.12113MG						27
	M24x1.5		16S	102.11113MH							30	102.12113MH						30

(S) 20 - 3/4"



STANDARD MALE MODELS

STANDARD FEMALE MODELS

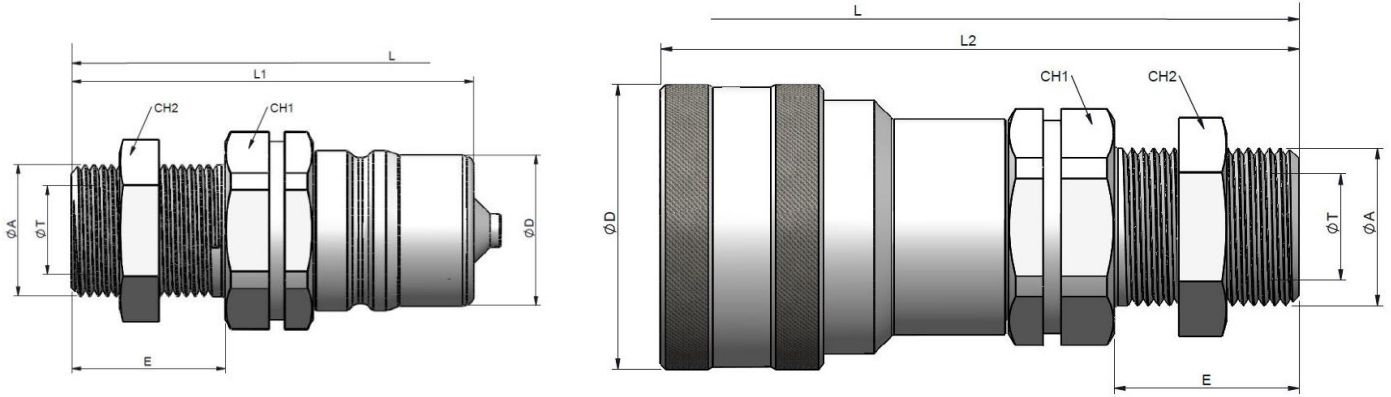
(S)	ØA	ØT	L	REF.		CH1	CH2	L1	ØD	E	REF.		CH1	CH2	L2	ØD	E	
20	M18x1.5	LIGERA	12L	102.11114LE	250	36	*	29	250	36	24	102.12114LE	250	36	*	29	250	26
	M22x1.5		15L	102.11114LG							27	102.12114LG						27
	M26x1.5		18L	102.11114LI							30	102.12114LI						30
	M30x2.0	22L	102.11114LJ	36							102.12114LJ	34						
	M24x1.5	PESADA	16S	102.11114MH							30	102.12114MH						29
	M30x2.0		20S	102.11114MJ							36	102.12114MJ						36



102 SERIES ISO-A



MULTI-THREADS
THREAD MALE BULKHEAD 24° CONE
DIN 2353 (ISO 8434-1)

(S) 25 - 1"



STANDARD MALE MODELS

STANDARD FEMALE MODELS

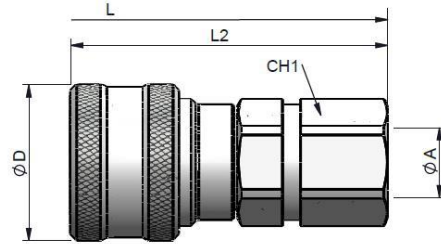
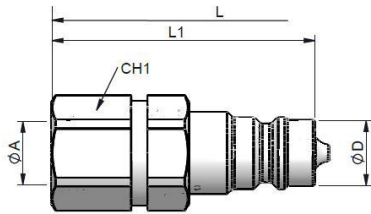
(S)	ØA	ØT	L	REF.		CH1	CH2	L1	ØD	E	REF.		CH1	CH2	L2	ØD	E	
25	M30x2	22L	-	102.11115LJ	230	41	36	*	34.3	34	102.12115LJ	230	41	36	*	34.3	34	
	M36x2	28L		102.11115LK			41			102.12115LK	41							
	M45x2	35L		102.11115LM			55			102.12115LM	55							
	M30x2	20S	102.11115MJ	36			102.12115MJ			36	35			102.12115MJ				35
	M36x2	25S	102.11115MK	41			102.12115MK			41	38			102.12115MK				38
	M42x2	30S	102.11115ML	50			102.12115ML			50	40			102.12115ML				40
	M52x2	38S	102.11115MN	65			102.12115MN			65	40			102.12115MN				40



102 SERIES ISO-A

MULTI-THREADS - FETHREAD MALE
BSP / NPTF / ISO 11926 (J1926)
ISO 9974 (DIN 3852)

(S) 06 - 1/4"

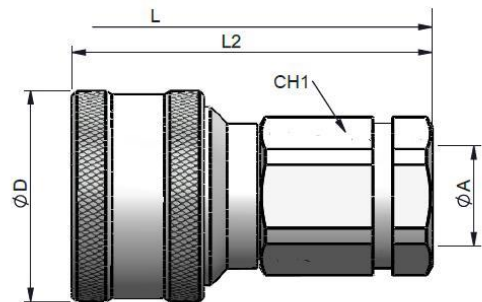
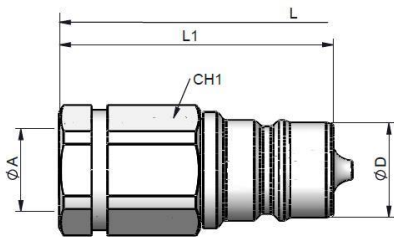


STANDARD MALE MODELS

STANDARD FEMALE MODELS

(S)	ØA	L	REF.		CH1	L1	ØD	REF.		CH1	L2	ØD
6	1/4" BSP	-	102.11111AB	350	19	*	11.8	102.12111AB	350	19	*	26
	1/4" NPTF		102.11111BB					102.12111BB				
	M14x1.5		102.11111NC					102.12111NC				

(S) 10 - 3/8"



STANDARD MALE MODELS

STANDARD FEMALE MODELS

(S)	ØA	L	REF.		CH1	L1	ØD	REF.		CH1	L2	ØD
10	1/4" BSP	-	102.11112AB	300	22	-	17.25	102.12112AB	300	22	*	32
	3/8" BSP		102.11112AC					102.12112AC				
	3/8" NPTF		102.11112BC					102.12112BC				
	M16x1.5		102.11112ND					102.12112ND				

102-8

INTEVA reserves the right to make modifications to its products without prior notice. Any external or internal alterations to our products will automatically void the warranty.



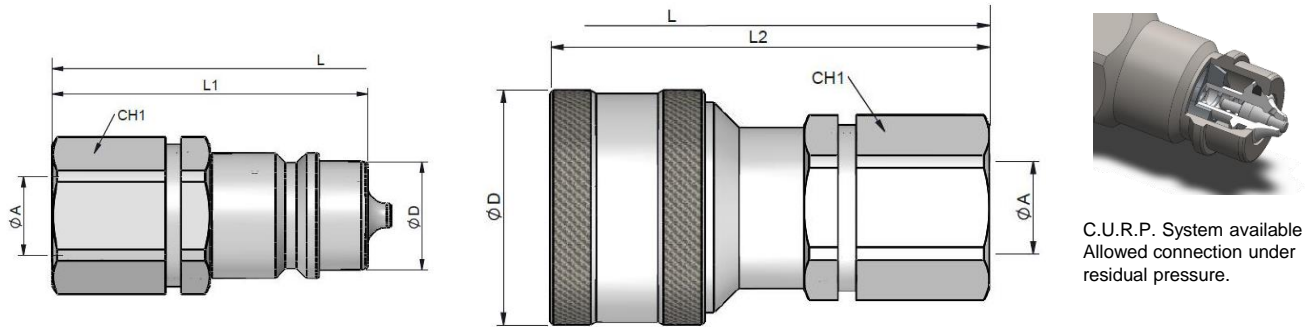
v9



102 SERIES ISO-A

MULTI-THREADS - FETHREAD MALE
BSP / NPTF / ISO 11926 (J1926)
ISO 9974 (DIN 3852)

(S) 13 - 1/2"



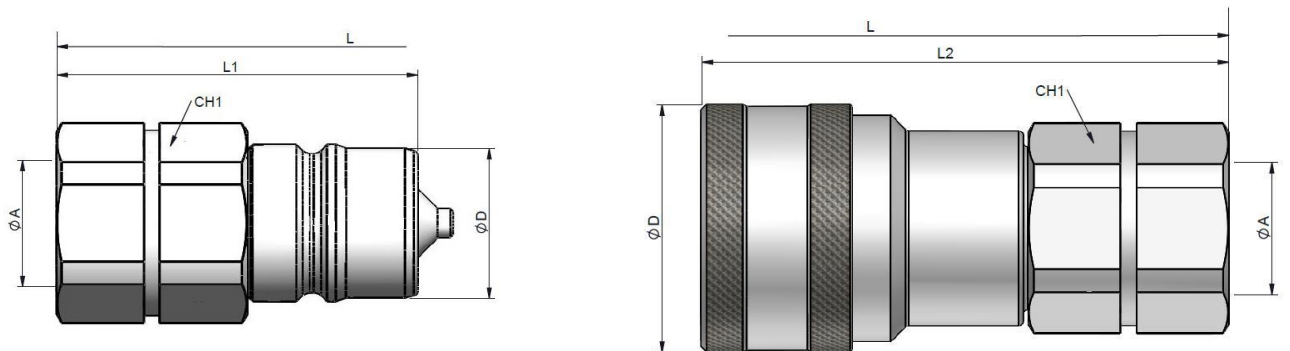
C.U.R.P. System available
Allowed connection under
residual pressure.

STANDARD MALE MODELS

STANDARD FEMALE MODELS

(S)	ØA	L	REF.	CH1	L1	ØD	REF.	CH1	L2	ØD	
13	3/8" BSP	-	102.11113AC	300	27	20.56	102.12113AC	300	27	*	38
	1/2" BSP		102.11113AD				102.12113AD				
	1/2" NPTF		102.11113BD				102.12113BD				
	M18x1.5		102.11113NE				102.12113NE				
	M22x1.5		102.11113NG				102.12113NG				
	3/4"-16h UNF (ORB)		102.11113GF				102.12113GF				
	7/8"-14h UNF (ORB)		102.11113GH				102.12113GH				

(S) 20 - 3/4"



STANDARD MALE MODELS

STANDARD FEMALE MODELS

(S)	ØA	L	REF.	CH1	L1	ØD	REF.	CH1	L2	ØD	
20	3/4" BSP	-	102.11114AE	230	36	29	102.12114AE	230	26	*	46
	3/4" NPTF		102.11114BE				102.12114BE				
	M22x1.5		102.11114NG				102.12114NG				

102-9

INTEVA reserves the right to make modifications to its products without prior notice. Any external or internal alterations to our products will automatically void the warranty.



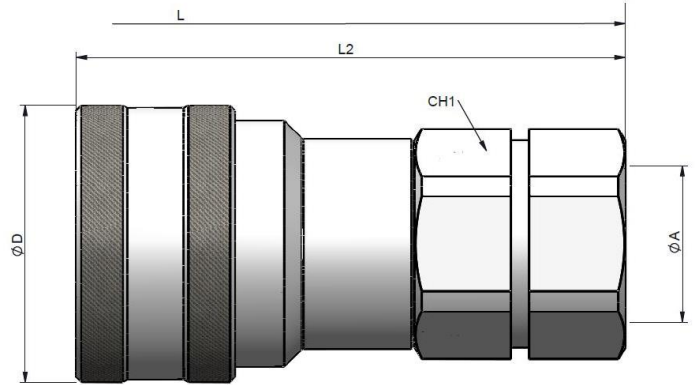
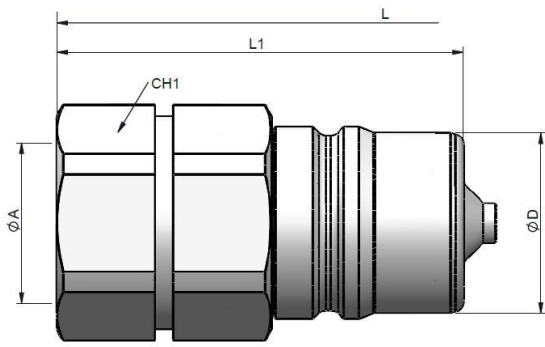
v9



102 SERIES ISO-A



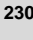
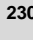
MULTI-THREADS - FETHREAD MALE
BSP / NPTF / ISO 11926 (J1926)
ISO 9974 (DIN 3852)

(S) 25 - 1"



STANDARD MALE MODELS

STANDARD FEMALE MODELS

(S)	ØA	L	REF.		CH1	L1	ØD	REF.		CH1	L2	ØD
25	3/4" BSP	-	102.11115AE		36	*	34.3	102.11115AE		41	*	55
	1" BSP		102.11115AF					102.11115AF				
	1" NPTF		102.11115BF					102.11115BF				