

GB1

2-WAY HIGH PRESSURE BALL VALVES

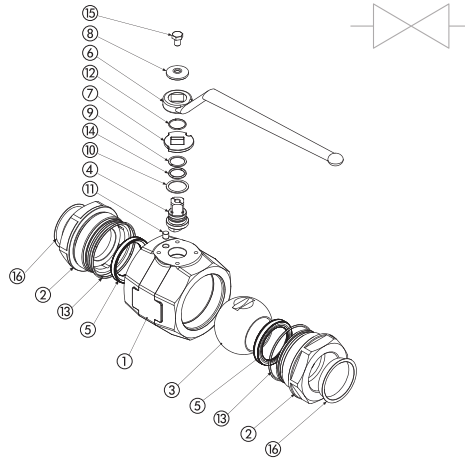
CARBON STEEL

- Type: forged ball valve 2 way
- Sizes: from DN32 up to DN50
- Ends: BSP-NPT-SAE
- O-Rings: NBR, FKM, EPDM, MVQ
- Pressure: up to PN420
- Temp range: -30°C to +100°C (body -46°C)

STAINLESS STEEL

- Type: forged ball valve 2 way
- Sizes: from DN32 up to DN50
- Ends: BSP-NPT-SAE
- O-Rings: NBR, FKM, EPDM, MVQ
- Pressure: up to PN420
- Temp range: -30°C to +100°C





CARBON STEEL			
POS	DESCRIPTION	MATERIAL	Q.TY
1	Body	1,0570	1
2	Adapter	1,0570	2
3	Ball	1,0737	1
4	Stem	1,0737	1
5	Ball seat	POM	2
6	Handle	1,0116	1
7	Washer	1,0116	1
8	Washer	1,0737	1
9	Back-up	PTFE	1
10	Stem ring	POM	1
11	Pin	1,0737	1
12	Seeger	1,4301	1
13	Adapter o-ring	NBR	4
14	Stem o-ring	NBR	1
15	Screw	ISO4017 8.8	1
16	Caps	PVC	2

CARBON STEEL										
GB1	G1½	DN32	L	L	1	1	A	B		
TYPE AND WAY OF VALVE	GAS DIN/ ISO 228 BSP	NPT ANSI/ ASME B1.20.1	SAE J1926-1	NOMINAL DIMENSION	BODY MATERIAL	ADAPTER MATERIAL	STEM MATERIAL	BALL MATERIAL	BALL SEAT MATERIAL	ADAPTER AND STEM SEAL MATERIAL
GB1 2-way	G 1 ¼ G 1 ½ G 2	N 1 ¼ N 1 ½ N 2	SAE20 SAE24 SAE32	DN32 DN40 DN50	L 1,0570	L 1,0570	1 1,0737 4 1,4404*	1 1,0737 4 1,4404*	A POM D PEEK* G PA612* K GEMPTFE* C PTFE*	B NBR E FKM* F EPDM* L MVQ*

STAINLESS STEEL			
POS	DESCRIPTION	MATERIAL	Q.TY
1	Body	1,4404	1
2	Adapter	1,4404	2
3	Ball	1,4404	1
4	Stem	1,4301	1
5	Ball seat	POM	2
6	Handle	1,4031	1
7	Washer	1,4031	1
8	Washer	1,4031	1
9	Back-up	PTFE	1
10	Stem ring	POM	1
11	Pin	1,4404	1
12	Seeger	1,4301	1
13	Adapter o-ring	NBR	4
14	Stem o-ring	NBR	1
15	Screw	ISO4017 A2	1
16	Caps	PVC	2

STAINLESS STEEL										
GB1	G1½	DN32	4	4	4	4	A	B		
TYPE AND WAY OF VALVE	GAS DIN/ ISO 228 BSP	NPT ANSI/ ASME B1.20.1	SAE J1926-1	NOMINAL DIMENSION	BODY MATERIAL	ADAPTER MATERIAL	STEM MATERIAL	BALL MATERIAL	BALL SEAT MATERIAL	ADAPTER AND STEM SEAL MATERIAL
GB1 2-way	G 1 ¼ G 1 ½ G 2	N 1 ¼ N 1 ½ N 2	SAE20 SAE24 SAE32	DN32 DN40 DN50	4 1,4404	4 1,4404	4 1,4404	4 1,4404	A POM D PEEK* G PA612* K GEMPTFE* C PTFE*	B NBR E FKM* F EPDM* L MVQ*

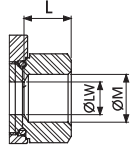
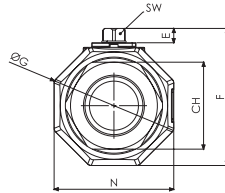
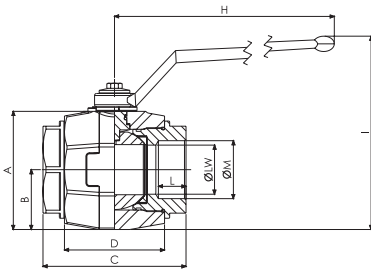
*On request:

- Reduced bore
- Special threads

- Pressure class up to PN42 MPa
- Pneumatic and electrical actuator

- Security block
- Locking device

For further special requests please consult our technical/commercial service



GB1 DIN/ISO 228 BSP

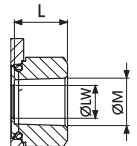
Standard

TYPE	PN	DN	A	B	C	D	E	F	ØG	H	I	L	ØM	N	CH	SW	ØLW	KG	CARBON STEEL	STAINLESS STEEL
																			ITEM CODE	ITEM CODE
GB1 G 1 1/4	42 MPa	32	89	42,5	115	75	14	107,5	92	310	162,5	24	G 1 1/4	85	70	17	32	4,489	GB1GGT6G0L1A000	GB1GGT6G044A000
GB1 G 1 1/2	42 MPa	40	106	52,5	131	85	14	124,5	113	310	179,5	25	G 1 1/2	105	80	17	40	6,750	GB1GGT7G0L1A000	GB1GGT7G044A000
GB1 G 2	42 MPa	50	115,5	58,5	140	97,85	14	134	126	310	189	27	G 2	117	85	17	50	8,708	GB1GGT8G0L1A000	GB1GGT8G044A000

GB1 ANSI/ASME B1.20.1 NPT

Standard

TYPE	PN	DN	A	B	C	D	E	F	ØG	H	I	L	ØM	N	CH	SW	ØLW	KG	CARBON STEEL	STAINLESS STEEL
																			ITEM CODE	ITEM CODE
GB1 N 1 1/4	42 MPa	32	89	42,5	115	75	14	107,5	92	310	162,5	24	N 1 1/4	85	70	17	32	4,489	GB1NNT6G0L1A000	GB1NNT6G044A000
GB1 N 1 1/2	42 MPa	40	106	52,5	131	85	14	124,5	113	310	179,5	25	N 1 1/2	105	80	17	40	6,774	GB1NNT7G0L1A000	GB1NNT7G044A000
GB1 N 2	42 MPa	50	115,5	58,5	140	97,85	14	134	126	310	189	27	N 2	117	85	17	50	8,708	GB1NNT8G0L1A000	GB1NNT8G044A000



GB1 SAE J1926-1

Standard

TYPE	PN	DN	A	B	C	D	E	F	ØG	H	I	L	ØM	N	CH	SW	ØLW	KG	CARBON STEEL	STAINLESS STEEL
																			ITEM CODE	ITEM CODE
GB1 SAE20	42 MPa	32	89	42,5	115	75	14	107,5	92	310	162,5	24	1 5/8 UNF	85	70	17	32	4,489	GB1EEE5G0L1A000	GB1EEE5G044A000
GB1 SAE24	42 MPa	40	106	52,5	131	85	14	124,5	113	310	179,5	25	1 7/8 UNF	105	80	17	40	6,822	GB1EEE6G0L1A000	GB1EEE6G044A000
GB1 SAE32	42 MPa	50	115,5	58,5	140	97,85	14	134	126	310	189	27	2 1/2 UNF	117	85	17	50	8,708	GB1EEE7G0L1A000	GB1EEE7G044A000

