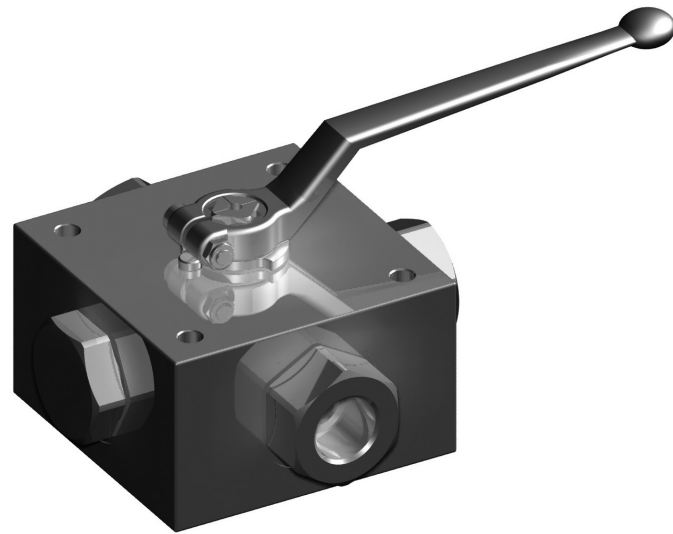


Carbon Steel



Specifications

- Type: ball valve G3K 3way
- Body: square
- Material: 1,0737/1,0737
- Ball seats: from DN6 up to DN25
- O-Rings: NBR
- Operating pressure: 500 Bar depending on valve size and seal materials selected
- Temp range: -10°C to +100°C depending on seal material selected

G3K 3-WAY HIGH PRESSURE BALL VALVES

G3K K01 G¹/₄ DN6 1 1 1 1 A B

Type and way of valve
G3K 3-way high pressure ball valves

Type of way
K01 K07
K02 K08
K03 K09
K04 K10
K05 K11
K06 K12

Valves dimension of inch
GAS ANSI/ASME
DIN/ISO 228 B1.20.1 NPT
G 1/4 N 1/4
G 3/8 N 3/8
G 1/2 N 1/2
G 3/4 N 3/4
G 1" N1"
G1" 1/4 R N1" 1/4 R
G1" 1/2 R N1" 1/2 R

Nominal dimension
DN6
DN10
DN13
DN20
DN25

Body material
1 1,0737

Adapter material
1 1,0737

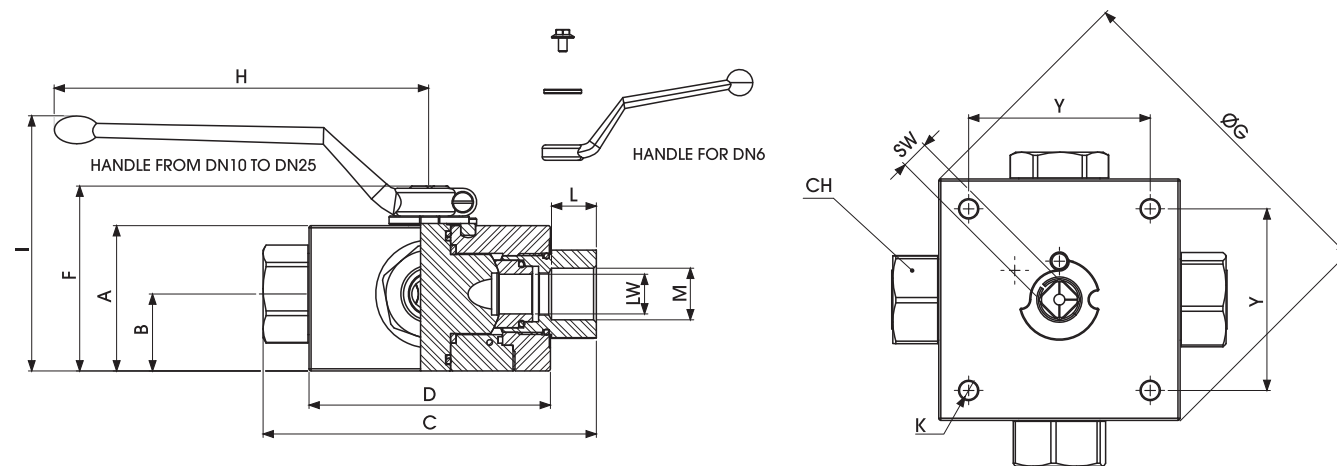
Stem material
1 1,0737

Ball material
1 1,0737

Ball seat material
A POM

Adapter and stem seal material
B NBR

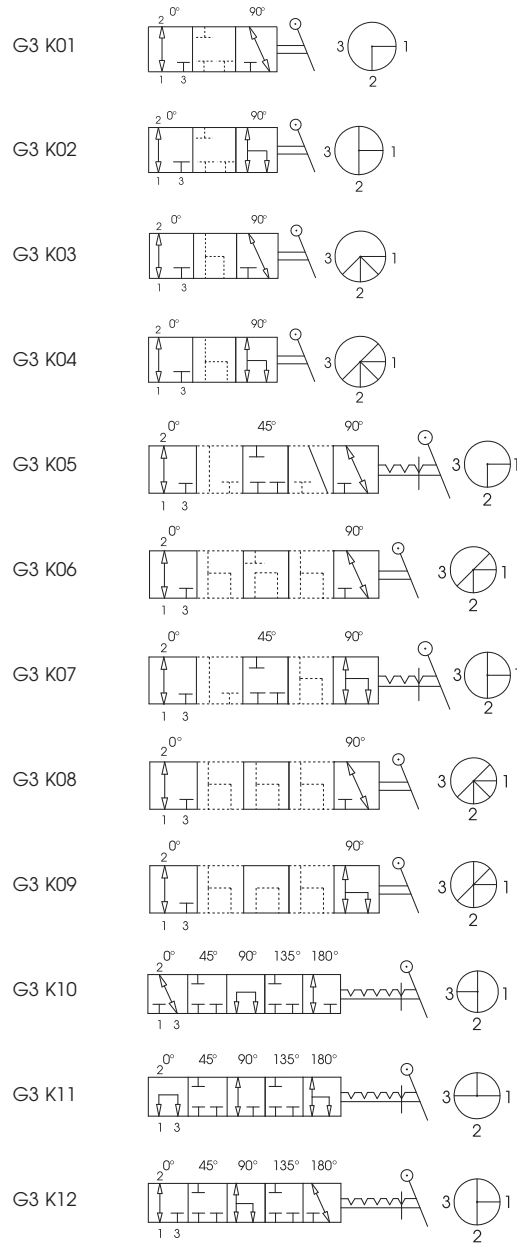
"The company reserves the right to operate dimensional changes without prior notice".

**G3K DIN ISO 228 BSP**

Standard

TYPE	PN	DN	A	B	C	D	E	F	ØG	H	I	L	M	CH	K	Y	SW	WEIGHT Kg
G3K G 1/4	50 MPa	6	42	21,5	100	70	11	56,5	-	110	97,5	15,5	G 1/4	24	6,5	55	9	1,767
G3K G 3/8	50 MPa	10	53	28,5	115	80	14	71,5	-	180	101	15,5	G 3/8	30	6,5	65	14	3,018
G3K G 1/2	40 MPa	13	62	33	136	100	14	80,5	-	180	110	17	G 1/2	41	8,5	80	14	5,247
G3K G 3/4	35 MPa	20	68	36	156	113	14	86,5	-	300	116,5	21	G 3/4	41	8,5	85	14	6,898
G3K G 1"	35 MPa	25	82	47,5	181	118	14	100,5	138	300	130,5	24	G 1"	50	8,5	85	14	9,005
G3K G 1" 1/4 R	35 MPa	25	82	47,5	181	118	14	100,5	138	300	130,5	24	G 1" 1/4	55	8,5	85	14	8,989
G3K G 1" 1/2 R	35 MPa	25	82	47,5	181	118	14	100,5	138	300	130,5	24	G 1" 1/2	60	8,5	85	14	9,213

"The company reserves the right to operate dimensional changes without prior notice".



LW-K01	ITEM CODE G3K01
6	G23GGT15011A000
10	G23GGT25011A000
13	G23GGT34011A000
19	G23GGT43011A000
23	G23GGT53011A000
23	G23GGR63011A000
23	G23GGR73011A000

LW-K02	ITEM CODE G3K02
6	G2AGGT15011A000
10	G2AGGT25011A000
13	G2AGGT34011A000
19	G2AGGT43011A000
23	G2AGGT53011A000
23	G2AGGR63011A000
23	G2AGGR73011A000

LW-K03	ITEM CODE G3K03

LW-K04	ITEM CODE G3K04

LW-K05	ITEM CODE G3K05

LW-K06	ITEM CODE G3K06

LW-K07	ITEM CODE G3K07
6	G2MGGT15011A000
10	G2MGGT25011A000
13	G2MGGT34011A000
19	G2MGGT43011A000
23	G2MGGT53011A000
23	G2MGGR63011A000
23	G2MGGR73011A000

LW-K08	ITEM CODE G3K08

LW-K09	ITEM CODE G3K09

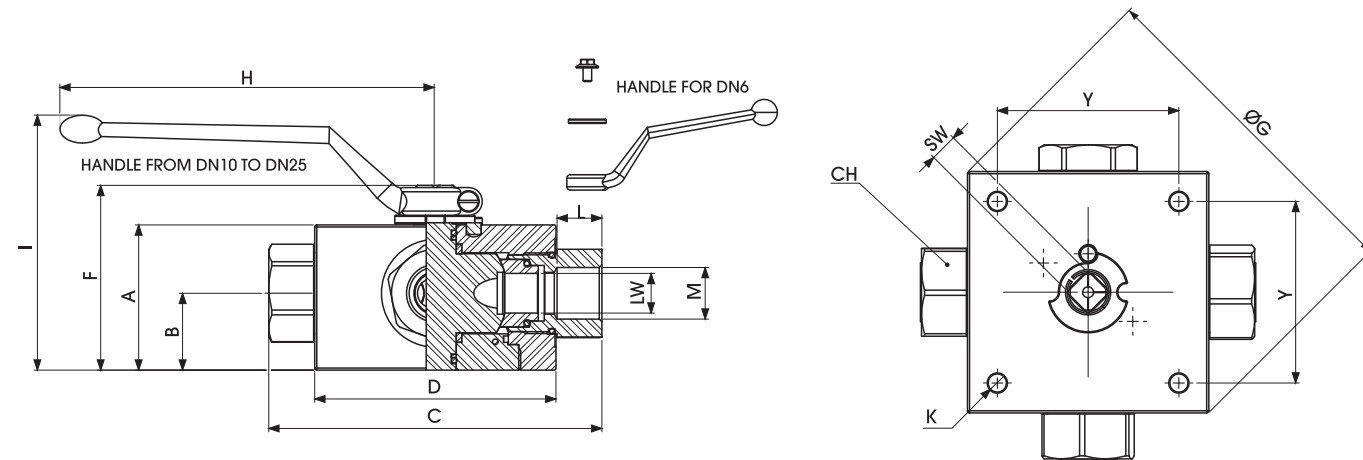
LW-K10	ITEM CODE G3K10

LW-K11	ITEM CODE G3K11

LW-K12	ITEM CODE G3K12

LW-K14	ITEM CODE G3K14
5	G2BGGT15011A000
7	G2BGGT25011A000
10	G2BGGT34011A000
15	G2BGGT43011A000
17	G2BGGT53011A000
17	G2BGGR63011A000
17	G2BGGR73011A000

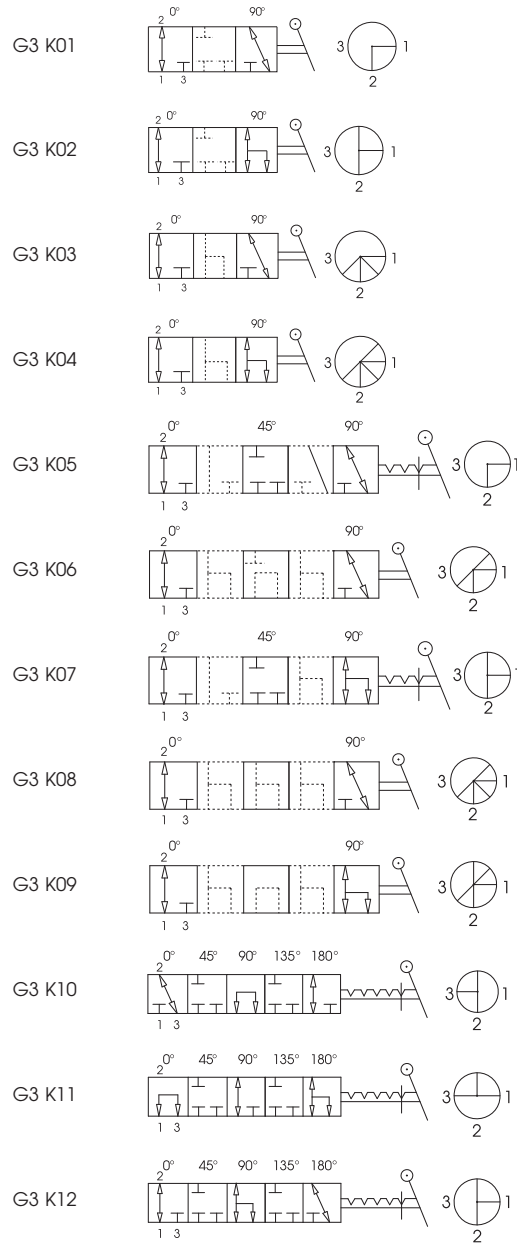
"The company reserves the right to operate dimensional changes without prior notice".



**G3K ANSI/ASME
B1.20.1 NPT**
Standard

TYPE	PN	DN	A	B	C	D	E	F	ØG	H	I	L	M	CH	K	Y	SW	WEIGHT Kg
G3K N 1/4	50 MPa	6	42	21,5	100	70	11	56,5	-	110	97,5	17	N 1/4	24	6,5	55	9	1,767
G3K N 3/8	50 MPa	10	53	28,5	115	80	14	71,5	-	180	101	17	N 3/8	30	6,5	65	14	3,018
G3K N 1/2	40 MPa	13	62	33	136	100	14	80,5	-	180	110	21	N 1/2	41	8,5	80	14	5,247
G3K N 3/4	35 MPa	20	68	36	156	113	14	86,5	-	300	116,5	21	N 3/4	41	8,5	85	14	6,898
G3K N 1"	35 MPa	25	82	47,5	181	118	14	100,5	138	300	130,5	24	N 1"	50	8,5	85	14	9,005
G3K N 1" 1/4 R	35 MPa	25	82	47,5	181	118	14	100,5	138	300	130,5	24	N 1" 1/4	55	8,5	85	14	8,989
G3K N 1" 1/2 R	35 MPa	25	82	47,5	181	118	14	100,5	138	300	130,5	24	N 1" 1/2	60	8,5	85	14	9,213

"The company reserves the right to operate dimensional changes without prior notice".



LW-K01	ITEM CODE G3K01
6	G23NNT15011A000
10	G23NNT25011A000
13	G23NNT34011A000
19	G23NNT43011A000
23	G23NNT53011A000
23	G23NNR63011A000
23	G23NNR73011A000

LW-K02	ITEM CODE G3K02
6	G2ANNT15011A000
10	G2ANNT25011A000
13	G2ANNT34011A000
19	G2ANNT43011A000
23	G2ANNT53011A000
23	G2ANNR63011A000
23	G2ANNR73011A000

LW-K03	ITEM CODE G3K03

LW-K04	ITEM CODE G3K04

LW-K05	ITEM CODE G3K05

LW-K06	ITEM CODE G3K06

LW-K07	ITEM CODE G3K07
6	G2MNNT15011A000
10	G2MNNT25011A000
13	G2MNNT34011A000
19	G2MNNT43011A000
23	G2MNNT53011A000
23	G2MNNR63011A000
23	G2MNNR73011A000

LW-K08	ITEM CODE G3K08

LW-K09	ITEM CODE G3K09

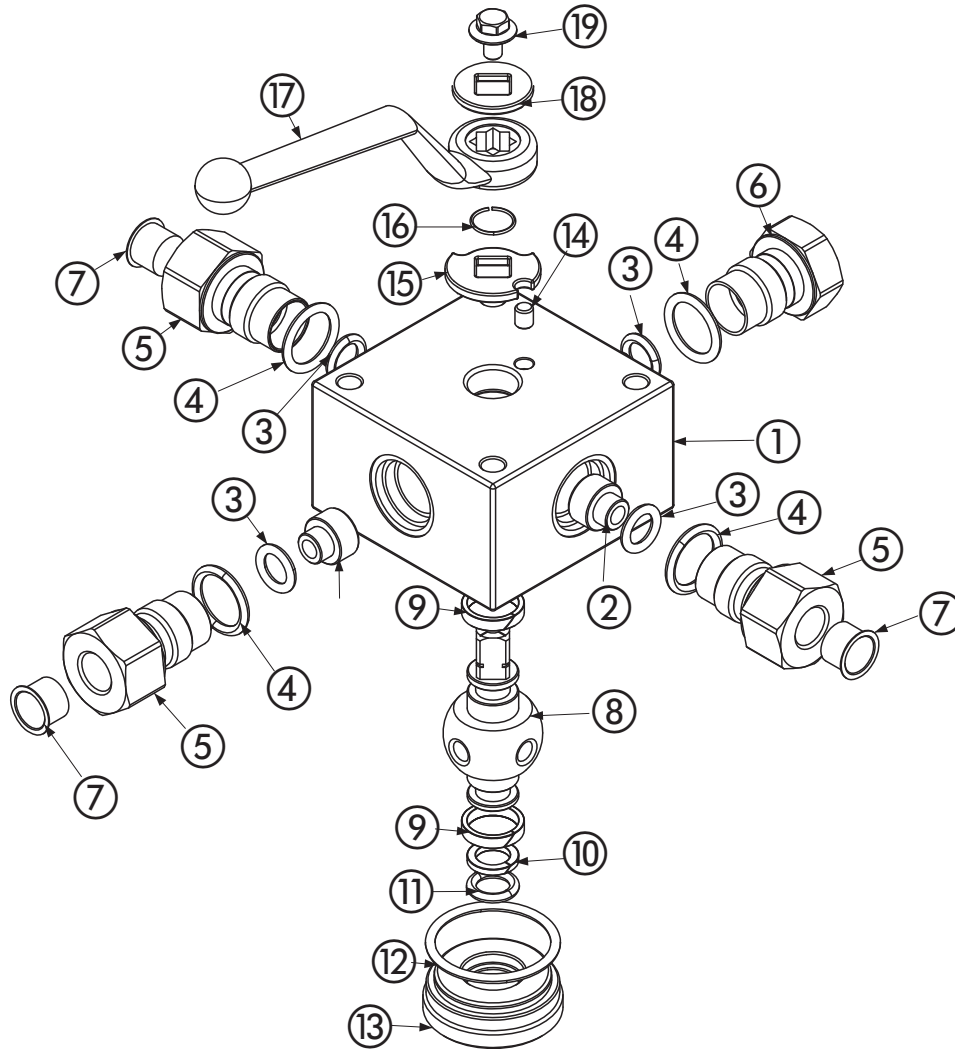
LW-K10	ITEM CODE G3K10

LW-K11	ITEM CODE G3K11

LW-K12	ITEM CODE G3K12

LW-K14	ITEM CODE G3K14
5	G2BNNT15011A000
7	G2BNNT25011A000
10	G2BNNT34011A000
15	G2BNNT43011A000
17	G2BNNT53011A000
17	G2BNNR63011A000
17	G2BNNR73011A000

"The company reserves the right to operate dimensional changes without prior notice".

G3K 3-WAY HIGH PRESSURE BALL VALVES

Pos	Description	Material	Q.tà
1	Body	1,0737	1
2	Ball seat	POM	4
3	Seal o-ring	NBR	4
4	Adapter o-ring	NBR	4
5	Adapter	1,0737	3
6	Close adapter	1,0737	1
7	Caps	PVC	3
8	Ball stem	1,0737	1
9	Body ring	PTFE	2
10	Stemball ring	PTFE	2
11	Stemball o-ring	NBR	2
12	Body o-ring	NBR	1
13	Stemball adapter	1,0737	1
14	Spine	1,0737	1
15	Washer	1,0116	1
16	Seeger	1,4301	1
17	Handle	ZINC	1
18	Washer	1,0116	1
19	Screw	DIN 6921 8.8	1

On request

- Reduced bore
- Special Threads
- Stem in stainless steel 1,4404
- Ball in stainless steel 1,4404
- Pressure Class PN 100 to PN 500
- Pneumatic and electrical actuator
- Locking device

• For further special requests please consult our technical/commercial service

"The company reserves the right to operate dimensional changes without prior notice".