



# 131 SERIES

## CPR CARBON STEEL



Manufactured according ISO 16028 norm.  
Flat Poppet Valve which avoids fluid leakages during the connection and disconnection.

### • Materials

Carbon Steel EN -10277-3 / AISI 316L

O-ring: NBR. Viton or EPDM

Back-up-ring: PTFE

Balls: AISI 1010/1015

Springs: Carbon Steel DIN 17233/84(B)

### • Working temperature (O-ring)

	NBR	Viton	EPDM
	+100°C	+200°C	+150°C
	-30°C	-10°C	-40°C

• **Applications:** Designed for Oil hydraulic Applications.

• **Sectors:** Industrial, Building Machinery

### • Equivalence

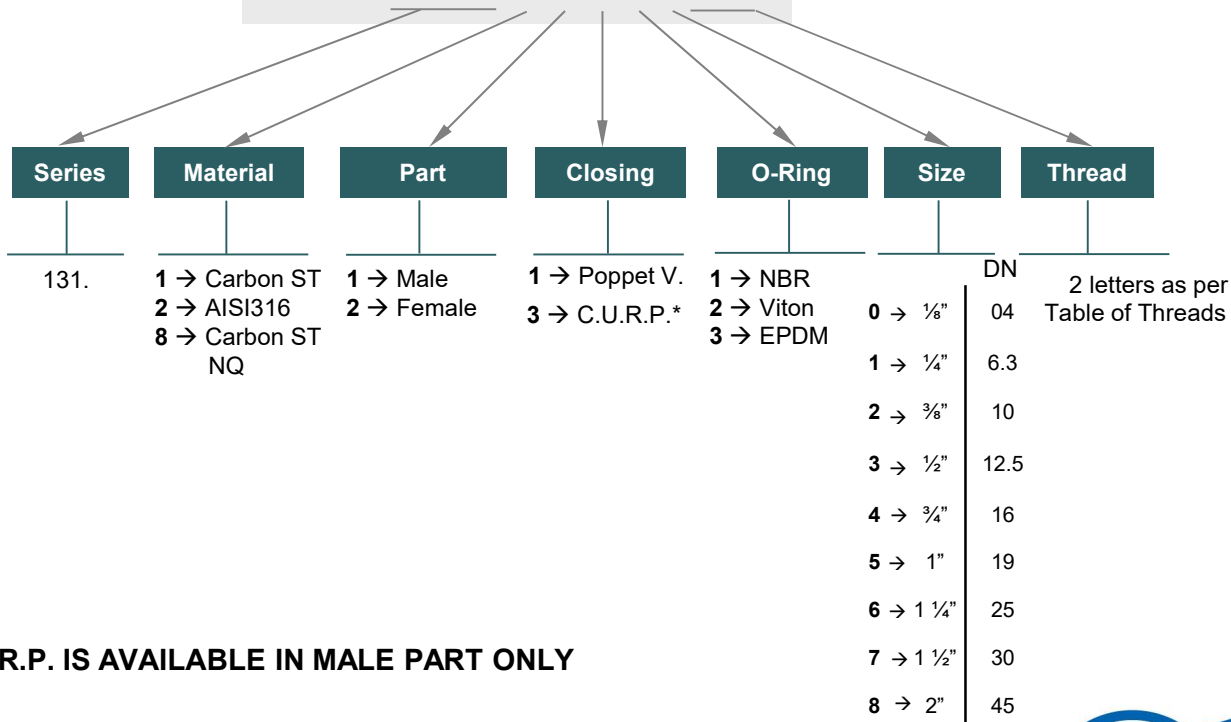
FASTER 2FFI  
PARKER FEM  
AEROQUIP FD89  
SNAP-TITE 74



### MODEL STRUCTURE

Example:

# 131.11113 AD



\* C.U.R.P. IS AVAILABLE IN MALE PART ONLY

## 131-1

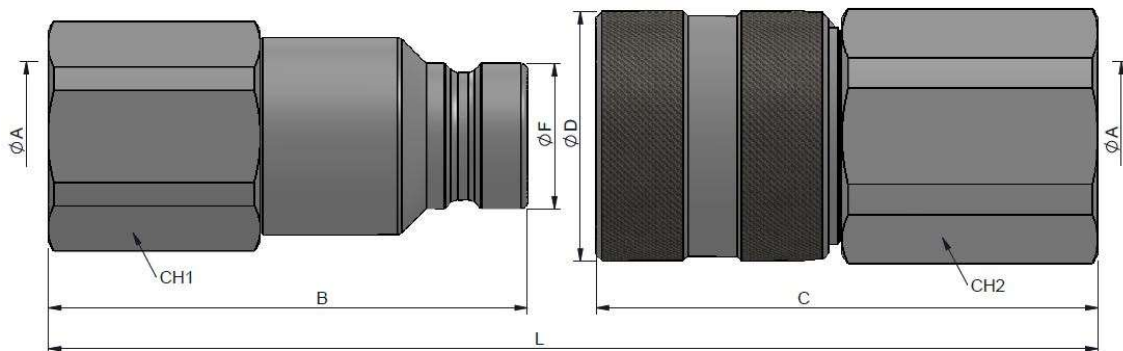


# 131 SERIES

## CPR CARBON STEEL



### DN04

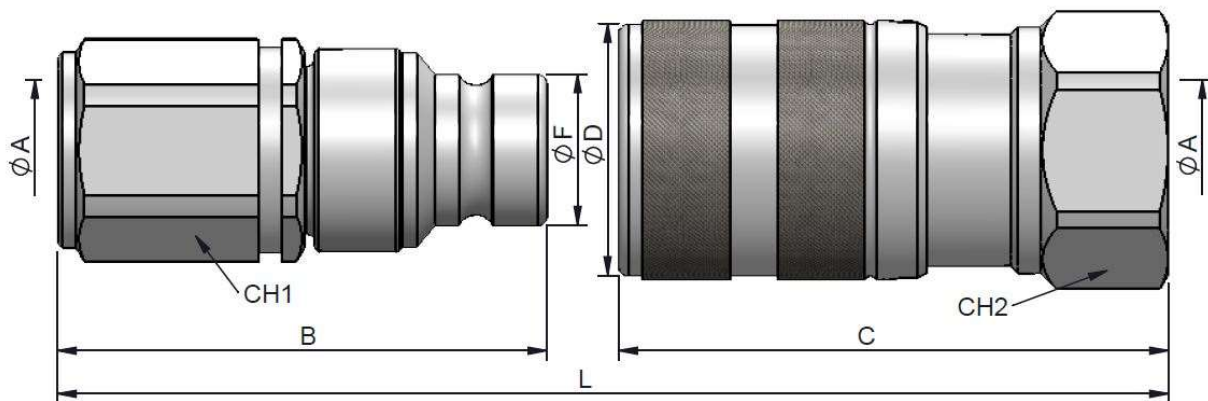


MALE STANDARD MODELS

FEMALE STANDARD MODELS

DN	ØA	REF.		CH1	B	ØF	L	DN	ØA	REF.		CH2	C	ØD	L
04	1/8" BSP	131.11110AA	500Bar	17	38.35	11.65	70.58	04	1/8" BSP	131.12110AA	500Bar	19	40.2	20	70.58
	1/8" NPTF	131.11110BA								131.12110BA					

### DN6.3



MALE STANDARD MODELS

FEMALE STANDARD MODELS

DN	ØA	REF.		CH1	B	ØF	L	DN	ØA	REF.		CH2	C	ØD	L
6.3	1/4" BSP	131.11111AB	500Bar	22	52.5	16.20	100	6.3	1/4" BSP	131.12111AB	500Bar	27	59	28	100
	1/4" NPTF	131.11111BB								131.12111BB					
	9/16" -18 UNF	131.11111GC								131.12111GC					

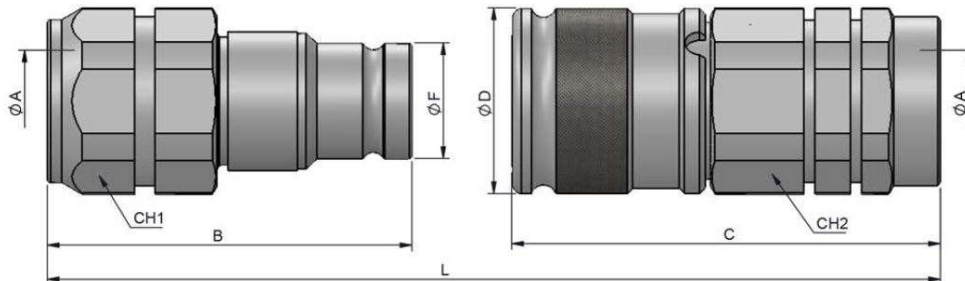


# 131 SERIES

## CPR CARBON STEEL



### DN10

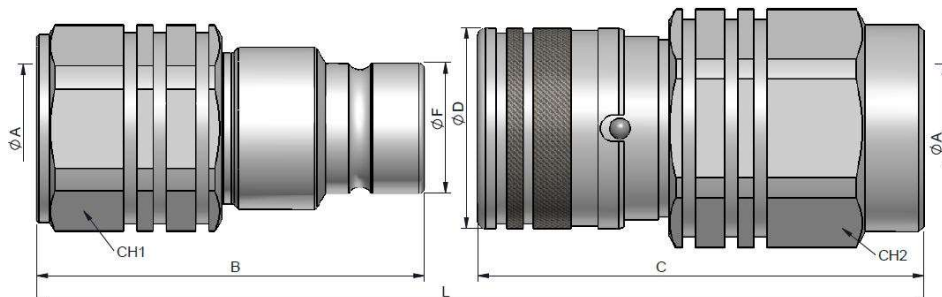


MALE STANDARD MODELS

FEMALE STANDARD MODELS

DN	ØA	REF.		CH1	B	ØF	L	DN	ØA	REF.		CH2	C	ØD	L
10	3/8" BSP	131.1112AC	350Bar	30	62.5	19.80	120	10	3/8" BSP	131.1212AC	350Bar	30	73.5	32	120
	3/8" NPTF	131.1112BC							3/8" NPTF	131.1212BC					
	1/2" BSP	131.1112AD							1/2" BSP	131.1212AD					
	1/2" NPTF	131.1112BD							1/2" NPTF	131.1212BD					
	3/4" -16ORB	131.1112GF							3/4" -16ORB	131.1212GF					
	7/8" -14ORB	131.1112GH							7/8" -14ORB	131.1212GH					

### DN12.5



MALE STANDARD MODELS

FEMALE STANDARD MODELS

DN	ØA	REF.		CH1	B	ØF	L	DN	ØA	REF.		CH2	C	ØD	L
12.5	1/2" BSP	131.1113AD	330Bar	36	73	24.50	140	12.5	1/2" BSP	131.1213AD	330Bar	41	87	38	140
	1/2" NPTF	131.1113BD							1/2" NPTF	131.1213BD					
	3/4" BSP	131.1113AE							3/4" BSP	131.1213AE					
	3/4" NPTF	131.1113BE							3/4" NPTF	131.1213BE					
	7/8" -14ORB	131.1113GH							7/8" -14ORB	131.1213GH					
	1 1/16" 12ORB	131.1113GK							1 1/16" 12ORB	131.1213GK					

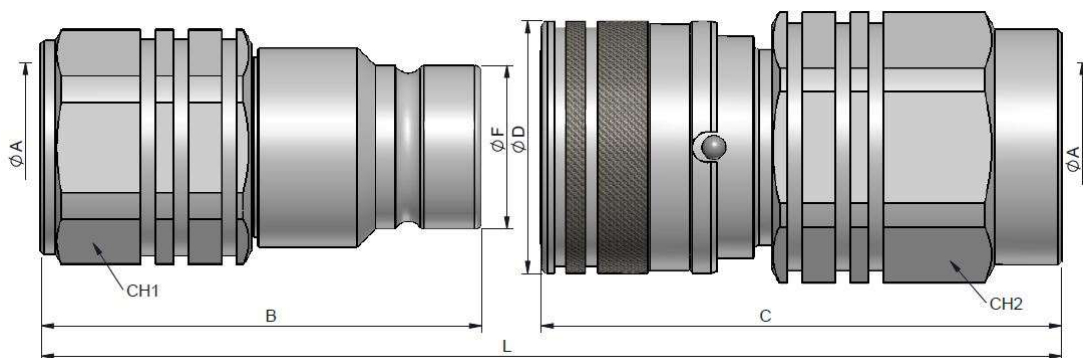


# 131 SERIES

## CPR CARBON STEEL



### DN16



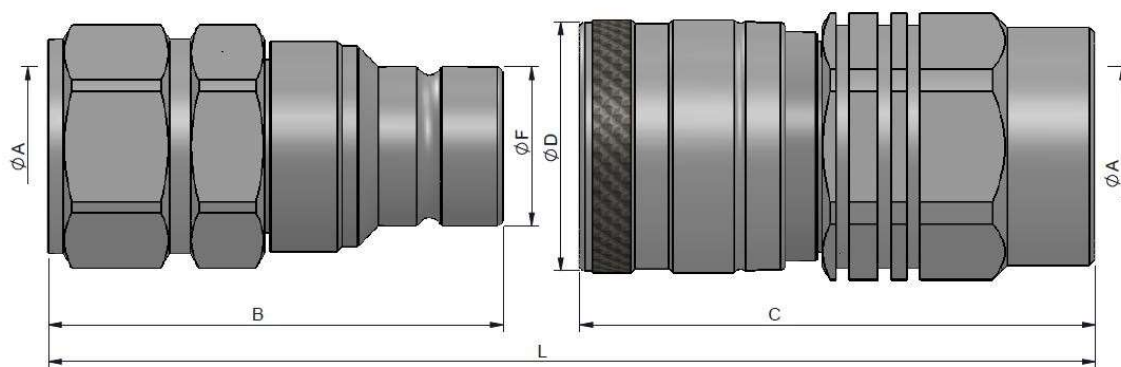
MALE STANDARD MODELS

DN	ØA	REF.		CH1	B	ØF	L
16	3/4" BSP	131.11114AE	330Bar	36	73	27	142
	3/4" NPTF	131.11114BE					
	1 1/16" -12ORB	131.11114GK					

FEMALE STANDARD MODELS

DN	ØA	REF.		CH2	C	ØD	L
16	3/4" BSP	131.12114AE	330Bar	41	86	42	142
	3/4" NPTF	131.12114BE					
	1 1/16" -12ORB	131.12114GK					

### DN19



MALE STANDARD MODELS

DN	ØA	REF.		CH1	B	ØF	L
19	1" BSP	131.11115AF	330Bar	41	86	30	160
	1" NPTF	131.11115BF					
	1 5/16" -12ORB	131.11115GO					

FEMALE STANDARD MODELS

DN	ØA	REF.		CH2	C	ØD	L
19	1" BSP	131.12115AF	330Bar	46	97.5	48	160
	1" NPTF	131.12115BF					
	1 5/16" -12ORB	131.12115GO					

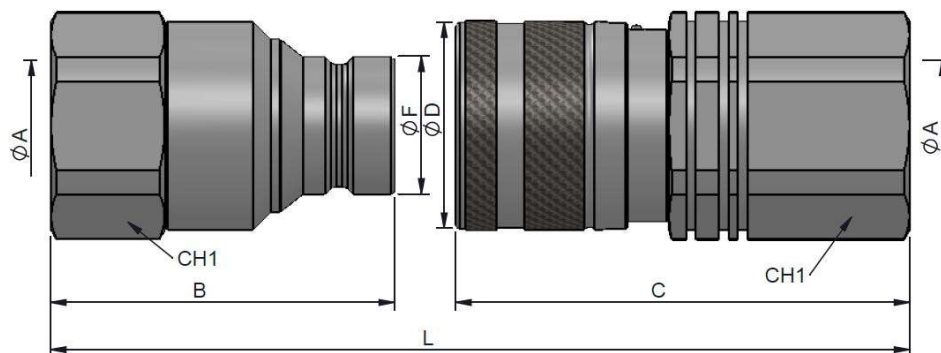


# 131 SERIES

## CPR CARBON STEEL



### DN25

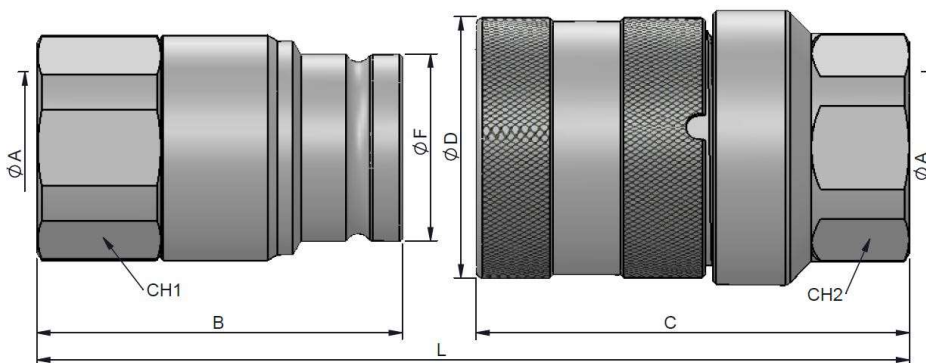


MALE STANDARD MODELS

FEMALE STANDARD MODELS

DN	ØA	REF.		CH1	B	ØF	L	DN	ØA	REF.		CH2	C	ØD	L
25	1 1/4" BSP	131.11116AG	300Bar	55	90	36	178	25	1 1/4" BSP	131.12116AG	300Bar	55	119	54	178
	1 1/4" NPTF	131.11116BG													

### DN30



MALE STANDARD MODELS

FEMALE STANDARD MODELS

DN	ØA	REF.		CH1	B	ØF	L	DN	ØA	REF.		CH2	C	ØD	L
30	1 1/2" BSP	131.11117AH	280Bar	65	111.5	57	215	30	1 1/2" BSP	131.12117AH	280Bar	65	132.20	80	215
	1 1/2" NPTF	131.11117BH													



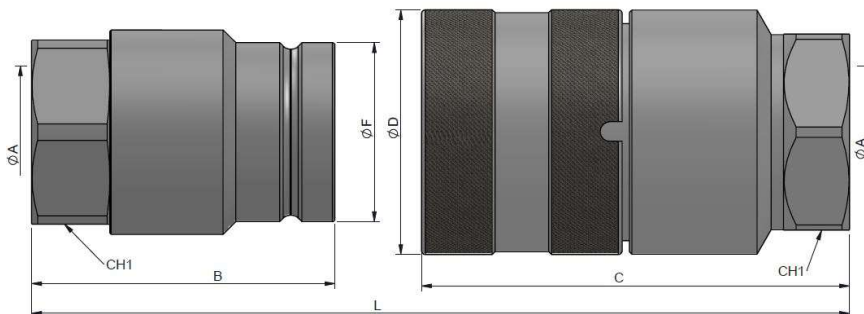


# 131 SERIES

## CPR CARBON STEEL





**DN45**



**MALE STANDARD MODELS**

**FEMALE STANDARD MODELS**

DN	ØA	REF.		CH1	B	ØF	L	DN	ØA	REF.		CH2	C	ØD	L
45	2" BSP	131.11118AI	250Bar	75	124	73	260	45	2" BSP	131.12118AI	250Bar	80	175	100	260

**131-6**

INTEVA reserves the right to make modifications in its products without prior notice.  
Any external or internal alteration in our products will automatically void the warranty.





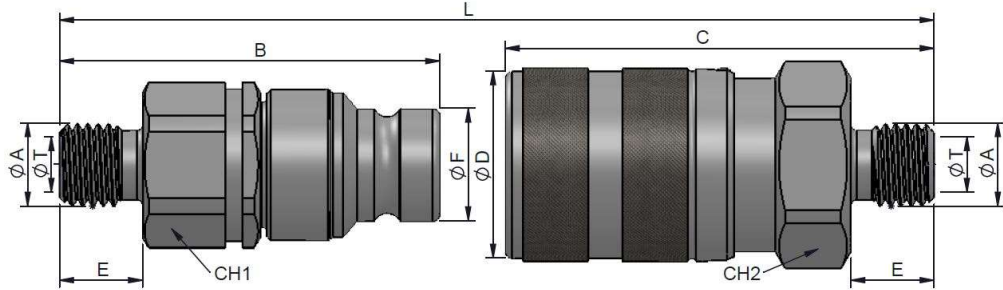
# 131 SERIES

## CPR CARBON STEEL

DIN2353



### DN6.3



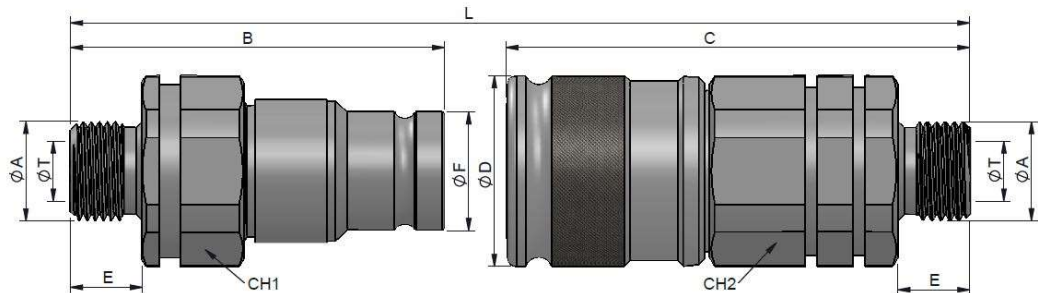
MALE STANDARD MODELS

DN	ØA	ØT	REF.		CH1	B	ØF	E	L
6.3	M12x1.5	6L	131.11111JB	500Bar	22	55	16.2	12	106.2
	M14x1.5	8L	131.11111JC			54			

FEMALE STANDARD MODELS

DN	ØA	ØT	REF.		CH2	C	ØD	E	L
6.3	M12x1.5	6L	131.12111JB	500Bar	27	62	27.5	12	106.2
	M14x1.5	8L	131.12111JC			63			

### DN10



MALE STANDARD MODELS

DN	ØA	ØT	REF.		CH1	B	ØF	E	L		
10	3/8" BSP M.	*	131.11112AN	350Bar	30	62.5	19.79	12	124,4		
	M14x1.5	8L	131.11111JC			61.5		11	122,2		
	M16x1.5	10L	131.11112JD			62.5		12	124,4		
	M16x1.5	8S	131.11112KD								
	M18x1.5	10S	131.11112KE								
	M20x1.5	12S	131.11112KF								

FEMALE STANDARD MODELS

DN	ØA	ØT	REF.		CH2	C	ØD	E	L		
10	3/8" BSP M.	6L	131.12112AN	350Bar	30	77.5	33	12	124.4		
	M14x1.5	8L	131.12112JC			76.5		11	122.2		
	M16x1.5	10L	131.12112JD			77.5		12	124.4		
	M16x1.5	8S	131.12112KD								
	M18x1.5	10S	131.12112KE								
	M20x1.5	12S	131.12112KF								



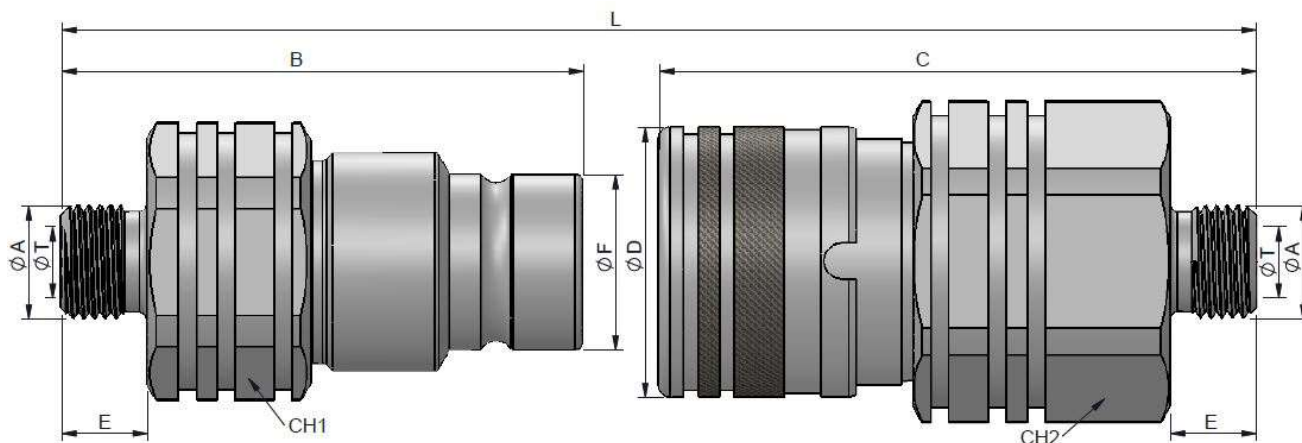
# 131 SERIES

CPR CARBON STEEL

DIN2353



DN12.5



MALE STANDARD MODELS

FEMALE STANDARD MODELS

DN	ØA	ØT	REF.		CH1	B	ØF	E	L		
12.5	M14x1.5	8L	131.11113JC	330Bar	36	73	24.58	11	134.9		
	M16x1.5	10L	131.11113JD								
	M18x1.5	12L	131.11113JE								
	M22x1.5	15L	131.11113JG								
	M26x1.5	18L	131.11113JI			74				12	136.9
	M18x1.5	10S	131.11113KE								
	M20x1.5	12S	131.11113KF								
	M22x1.5	14S	131.11113KG								
	M24x1.5	16S	131.11113KH								

DN	ØA	ØT	REF.		CH2	C	ØD	E	L		
12.5	M14x1.5	8L	131.12113JC	330Bar	41	79.5	38.5	11	134.9		
	M16x1.5	10L	131.12113JD								
	M18x1.5	12L	131.12113JE								
	M22x1.5	15L	131.12113JG								
	M26x1.5	18L	131.12113JI			80.5				12	136.9
	M18x1.5	10S	131.12113KE								
	M20x1.5	12S	131.12113KF								
	M22x1.5	14S	131.12113KG								
	M24x1.5	16S	131.12113KH								

131-8

INTEVA reserves the right to make modifications in its products without prior notice. Any external or internal alteration in our products will automatically void the warranty.





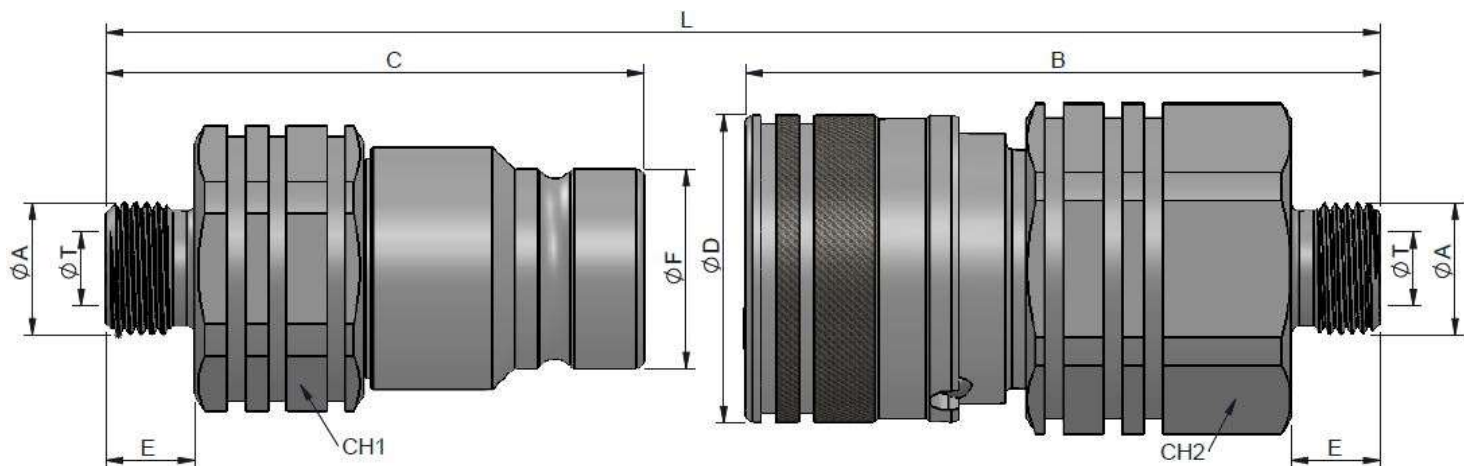


# 131 SERIES

CPR CARBON STEEL  
DIN2353



DN16



MALE STANDARD MODELS

DN	ØA	ØT	REF.		CH1	B	ØF	E	L			
16	M18x1.5	12L	131.11114JE	330Bar	36	80	27.08	18	151.5			
	M22x1.5	15L	131.11114JG							74	12	139.5
	M26x1.5	18L	131.11114JI									
	M30x2	22L	131.11114JJ									
	M22x1.5	14S	131.11114KG			74		12	139.5			
	M24x1.5	16S	131.11114KH									
	M30x2	20S	131.11114KJ			80		18	151.5			

FEMALE STANDARD MODELS

DN	ØA	ØT	REF.		CH2	C	ØD	E	L			
16	M18x1.5	12L	131.12114JE	330Bar	41	89.1	42	18	151.5			
	M22x1.5	15L	131.12114JG							83.1	12	139.5
	M26x1.5	18L	131.12114JI									
	M30x2	22L	131.12114JJ									
	M22x1.5	14S	131.12114KG			83.1		12	139.5			
	M24x1.5	16S	131.12114KH									
	M30x2	20S	131.12114KJ			89.1		18	151.5			

131-9

INTEVA reserves the right to make modifications in its products without prior notice.  
Any external or internal alteration in our products will automatically void the warranty.



v8



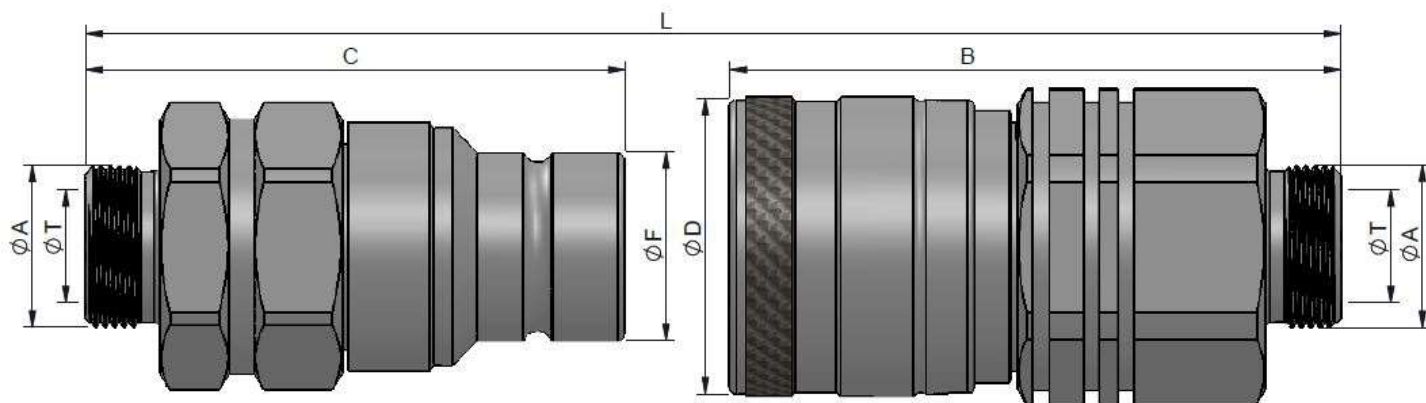
# 131 SERIES

CPR CARBON STEEL

DIN2353



DN19



MALE STANDARD MODELS

DN	ØA	ØT	REF.		CH1	B	ØF	E	L	
19	M26x1.5	18L	131.11115JI	330Bar	41	82	30	12	152.2	
	M30x2	22L	131.11115JJ					18	164.2	
	M36x2	28L	131.11115JK					18	157.2	
	M45x2	35L	131.11115JM					81	16	151.2
	M30x2	20S	131.11115KJ					46	86	163.2
	M36x2	25S	131.11115KK					18	155.2	
	M42x2	30S	131.11115KL					81	155.2	
	M52x2	38S	131.11115KN					55	20	153.2

FEMALE STANDARD MODELS

DN	ØA	ØT	REF.		CH2	C	ØD	E	L	
19	M26x1.5	18L	131.12115JI	330Bar	46	92	30	12	152.2	
	M30x2	22L	131.12115JJ					18	164.2	
	M36x2	28L	131.12115JK					18	157.2	
	M45x2	35L	131.12115JM					92	16	151.2
	M30x2	20S	131.12115KJ					99	163.2	
	M36x2	25S	131.12115KK					18	155.2	
	M42x2	30S	131.12115KL					96	155.2	
	M52x2	38S	131.12115KN					55	94	20

131-10

INTEVA reserves the right to make modifications in its products without prior notice. Any external or internal alteration in our products will automatically void the warranty.



v8

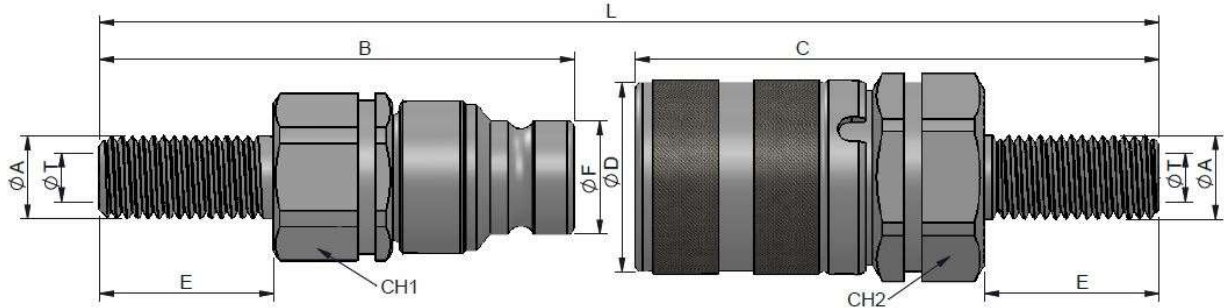


# 131 SERIES

**CPR** CARBON STEEL  
DIN2353



## DN6.3



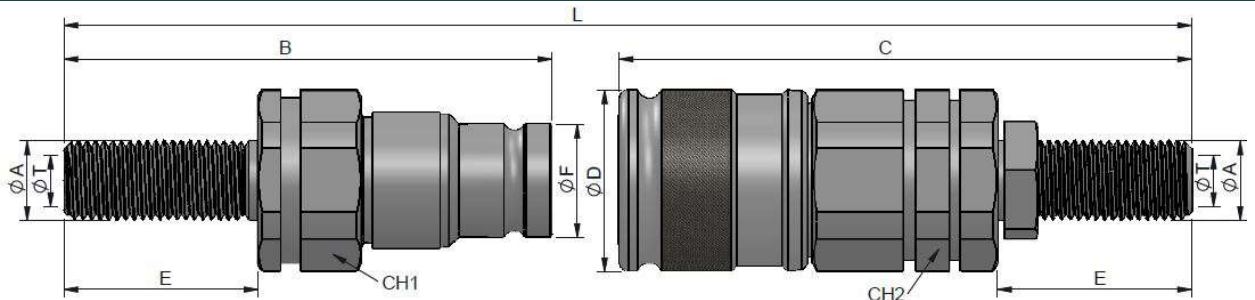
MALE STANDARD MODELS

DN	ØA	ØT	REF.		CH1	B	ØF	E	L
6.3	M12x1.5	6L	131.11111LB	500Bar	22	68	16.2	25	132.2
	M14x1.5	8L	131.11111LC			77			

FEMALE STANDARD MODELS

DN	ØA	ØT	REF.		CH2	C	ØD	E	L
6.3	M12x1.5	6L	131.12111LB	500Bar	27	75	27.5	25	132.2
	M14x1.5	8L	131.12111LC						

## DN10



MALE STANDARD MODELS

DN	ØA	ØT	REF.		CH1	B	ØF	E	L
	M14x1.5	8L	131.11112LC			84.5		34	168.2
	M16x1.5	10L	131.11112LD			85.5		35	170.2
10	M16x1.5	8S	131.11112MD	350Bar	30	76.5	19.79	26	152.2
	M18x1.5	10S	131.11112ME					27	154.2
	M20x1.5	12S	131.11112MF					85.5	35

FEMALE STANDARD MODELS

DN	ØA	ØT	REF.		CH2	C	ØD	E	L	
	M14x1.5	8L	131.12112LC			99.5		34	168.2	
	M16x1.5	10L	131.12112LD					100.5	35	170.2
10	M16x1.5	8S	131.12112MD	350Bar	30	91.5	33	26	152.2	
	M18x1.5	10S	131.12112ME					92.5	27	154.2
	M20x1.5	12S	131.12112MF					100.5	35	170.2

## 131-11

INTEVA reserves the right to make modifications in its products without prior notice.  
Any external or internal alteration in our products will automatically void the warranty.





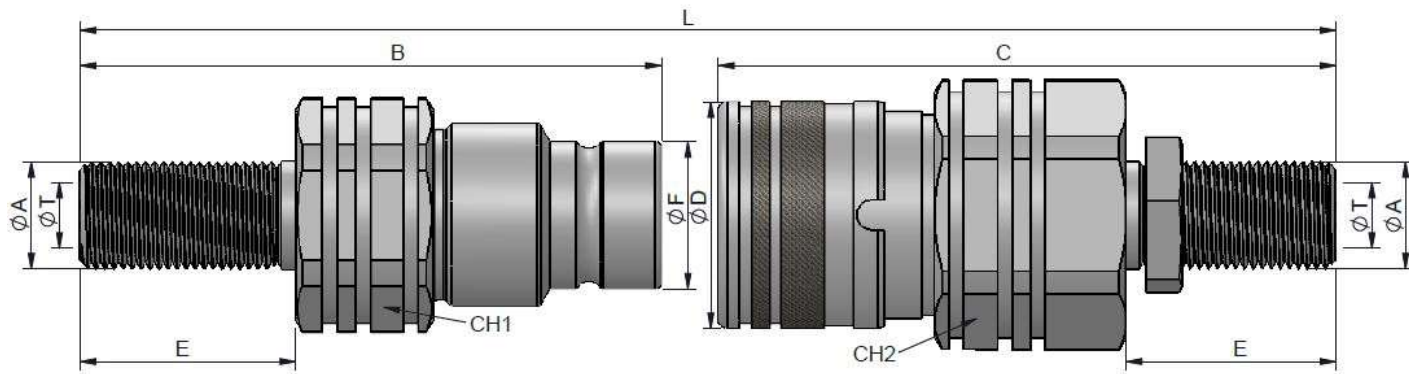
# 131 SERIES

## CPR CARBON STEEL

DIN2353



**DN12.5**



**MALE STANDARD MODELS**

DN	ØA	ØT	REF.		CH1	B	ØF	E	L
12.5	M14x1.5	8L	131.11113LC	330Bar	36	97	24.58	34	182
	M16x1.5	10L	131.11113LD						183
	M18x1.5	12L	131.11113LE						183
	M22x1.5	15L	131.11113LG		96	181		35	
	M26x1.5	18L	131.11113LI						181
	M18x1.5	10S	131.11113ME						183
	M20x1.5	12S	131.11113MF		97	182			
	M22x1.5	14S	131.11113MG						
	M24x1.5	16S	131.11113MH						

**FEMALE STANDARD MODELS**

DN	ØA	ØT	REF.		CH2	C	ØD	E	L
12.5	M14x1.5	8L	131.12113LC	330Bar	41	102.5	38.5	13	182
	M16x1.5	10L	131.12113LD						183
	M18x1.5	12L	131.12113LE						183
	M22x1.5	15L	131.12113LG		102.5	181		35	
	M26x1.5	18L	131.12113LI						181
	M18x1.5	10S	131.12113ME						183
	M20x1.5	12S	131.12113MF		103.5	182			
	M22x1.5	14S	131.12113MG						
	M24x1.5	16S	131.12113MH						

**131-12**

INTEVA reserves the right to make modifications in its products without prior notice.  
Any external or internal alteration in our products will automatically void the warranty.



v8

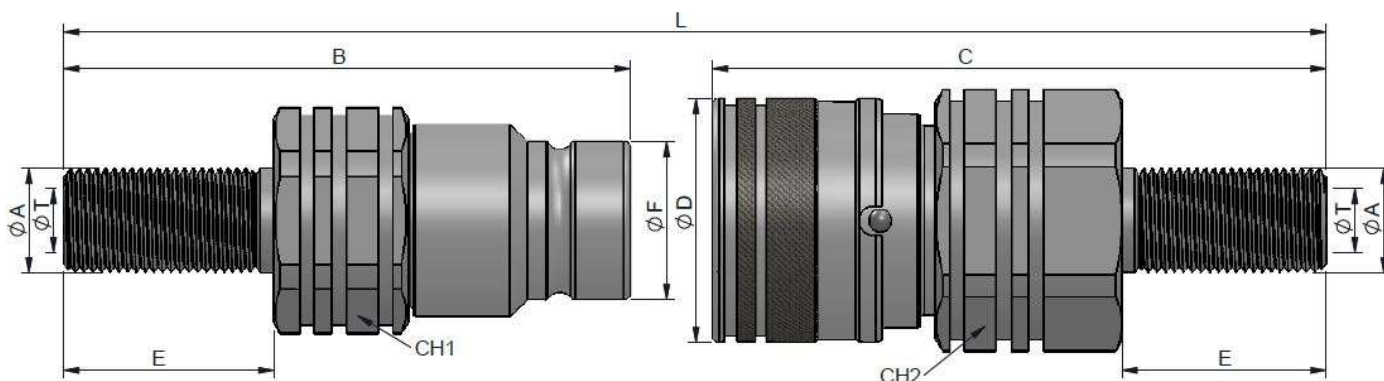


# 131 SERIES

CPR CARBON STEEL  
DIN2353



DN16



### MALE STANDARD MODELS

DN	ØA	ØT	REF.	CH1	B	ØF	E	L
16	M18x1.5	12L	131.11114LE	330Bar	36	27.08	35	185.5
	M22x1.5	15L	131.11114LG					183.5
	M26x1.5	18L	131.11114LI					183.5
	M30x2	22L	131.11114LJ	97	184.5	184.5		
	M24x1.5	16S	131.11114MH			184.5		
	M30x2	20S	131.11114MJ			184.5		

### FEMALE STANDARD MODELS

DN	ØA	ØT	REF.	CH2	C	ØD	E	L
16	M18x1.5	12L	131.12114LE	330Bar	41	42	35	185.5
	M22x1.5	15L	131.12114LG					183.5
	M26x1.5	18L	131.12114LI					183.5
	M30x2	22L	131.12114LJ	105.1	184.5	184.5		
	M24x1.5	16S	131.12114MH			184.5		
	M30x2	20S	131.12114MJ			184.5		

131-13

INTEVA reserves the right to make modifications in its products without prior notice.  
Any external or internal alteration in our products will automatically void the warranty.



v8





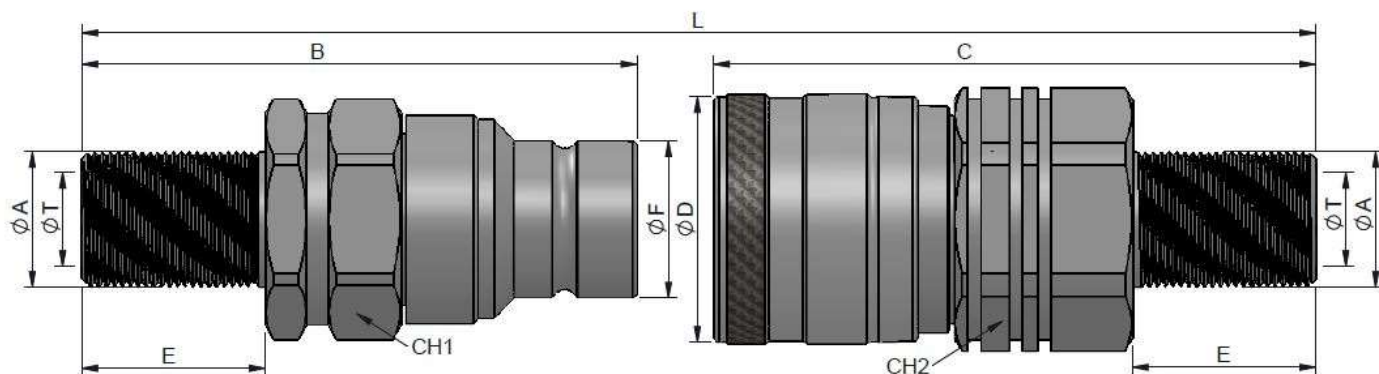
# 131 SERIES

## CPR CARBON STEEL

DIN2353



**DN19**



**MALE STANDARD MODELS**

DN	ØA	ØT	REF.		CH1	B	ØF	E	L
19	M26x1.5	18L	131.11115LI		330Bar	41	30	35	199.2
	M30x2	22L	131.11115LJ						
	M36x2	28L	131.11115LK						
	M45x2	35L	131.11115LM						
	M30x2	20S	131.11115MJ						
	M36x2	25S	131.11115MK						
	M42x2	30S	131.11115ML						
	M52x2	38S	131.11115MN						

**FEMALE STANDARD MODELS**

DN	ØA	ØT	REF.		CH2	C	ØD	E	L
19	M26x1.5	18L	131.12115LI		330Bar	46	48.5	35	199.2
	M30x2	22L	131.12115LJ						
	M36x2	28L	131.12115LK						
	M45x2	35L	131.12115LM						
	M30x2	20S	131.12115MJ						
	M36x2	25S	131.12115MK						
	M42x2	30S	131.12115ML						
	M52x2	38S	131.12115MN						

**131-14**

INTEVA reserves the right to make modifications in its products without prior notice. Any external or internal alteration in our products will automatically void the warranty.





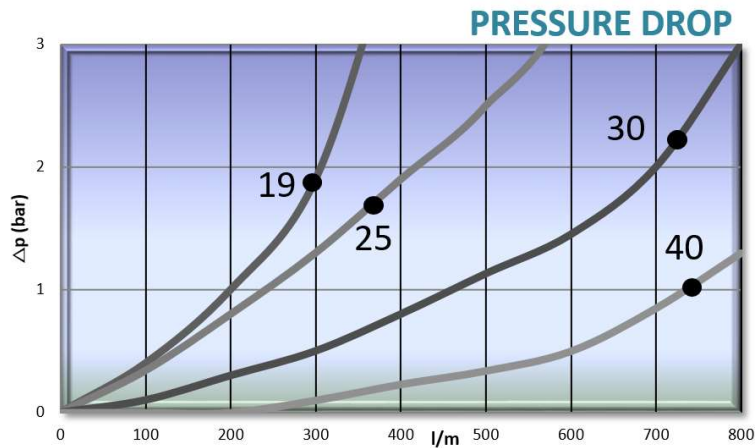
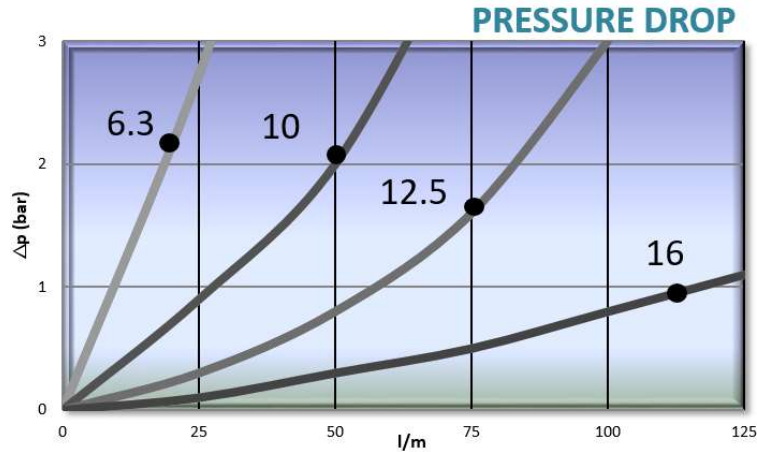
# 131 SERIES

## CPR CARBON STEEL



TECHNICAL DATA		Carbon Steel			
DN	Rated Flow	Min Burst Pressure (bar)			Max. Working Pressure
		Male	Female	Coupled	
04	5 l/m	1200	1100	1200	420 Bar
6.3	18 l/m	1200	1100	1200	420 Bar
10	45 l/m	1000	950	1000	350 Bar
12.5	75 l/m	1000	950	1000	330 Bar
16	150 l/m	1000	950	1000	330 Bar
19	200 l/m	1000	950	1000	330 Bar
25	378 l/m	800	700	1000	300 Bar
30	750 l/m	800	700	800	300 Bar
40	1000 l/m	600	320	800	270 Bar

Test performed according to ISO 18869



**131-15**

INTEVA reserves the right to make modifications in its products without prior notice.  
Any external or internal alteration in our products will automatically void the warranty.





# 131 SERIES CPR

STAINLESS STEEL  
AISI 316



Manufactured according ISO 16028 norm.  
Flat Poppet Valve which avoids fluid leakages during the connection and disconnection.

• **Materials**

Stainless steel AISI 316

O-ring: NBR, Viton or EPDM

Back-up-ring: PTFE

Balls: AISI 1010/1015

Springs: AISI302 DIN17224

• **Working temperature (O-ring)**

	NBR	Viton	EPDM
	+100°C	+200°C	+150°C
	-30°C	-10°C	-40°C

• **Applications:** Designed for Oil hydraulic Applications.  
Hammer Application

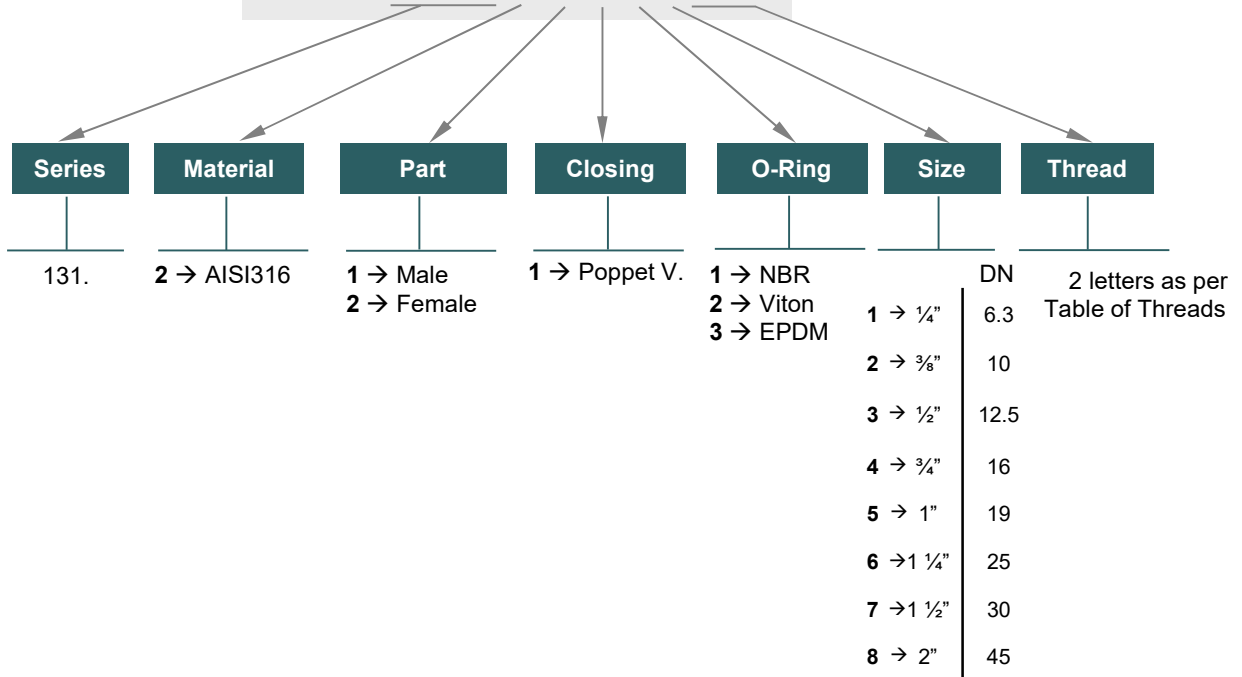
• **Sectors:** Industrial, Chemical



**MODEL STRUCTURE**

Example:

**131.21123 AD**



**131-16**

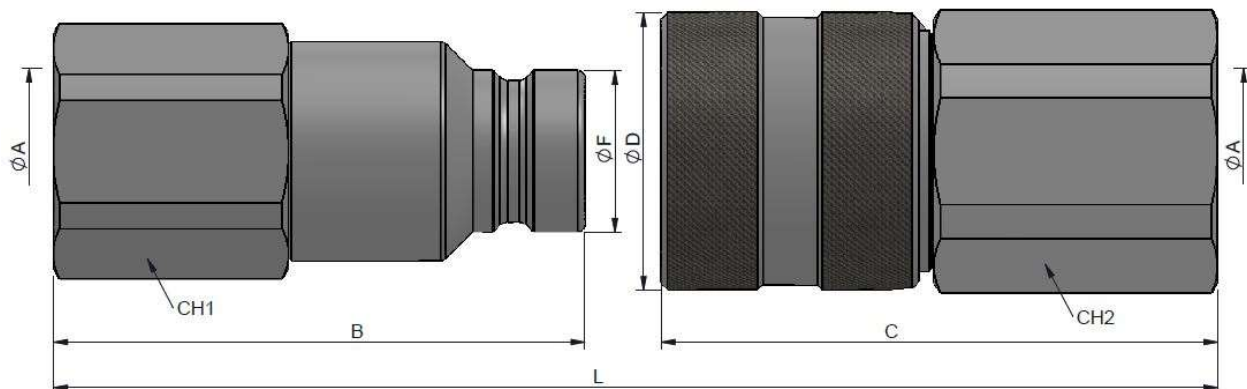


# 131 SERIES CPR

STAINLESS STEEL  
AISI 316



## DN04

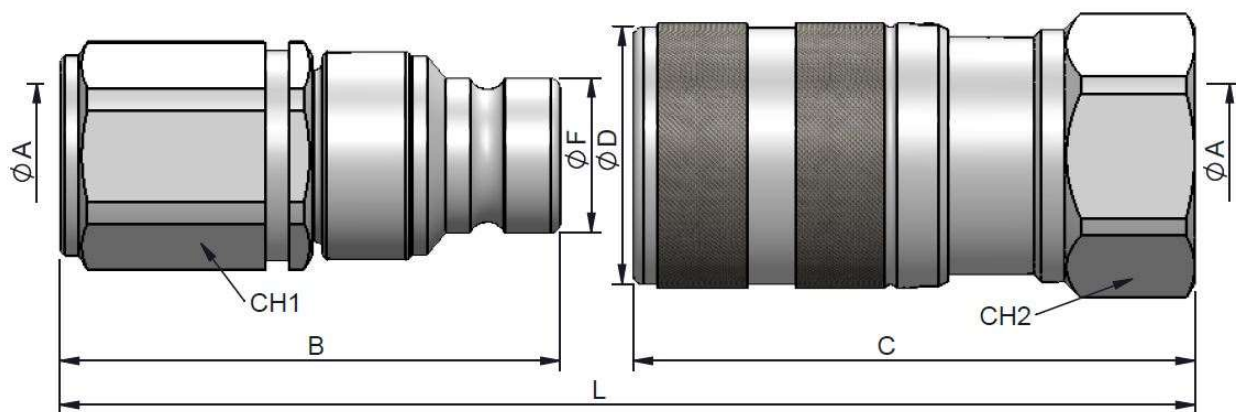


MALE STANDARD MODELS

FEMALE STANDARD MODELS

DN	ØA	REF.		CH1	B	ØF	L	DN	ØA	REF.		CH2	C	ØD	L
04	1/8" BSP	131.21120AA	350Bar	17	36.35	11.65	68.25	04	1/8" BSP	131.22120AA	350Bar	19	39.85	20	68.25
	1/8" NPTF	131.21120BA								131.22120BA					

## DN6.3



MALE STANDARD MODELS

FEMALE STANDARD MODELS

DN	ØA	REF.		CH1	B	ØF	L	DN	ØA	REF.		CH2	C	ØD	L
6.3	1/4" BSP	131.21121AB	350Bar	22	48	16.20	85.50	6.3	1/4" BSP	131.22121AB	350Bar	27	48	28	85.50
		131.21121BB								131.22121BB					

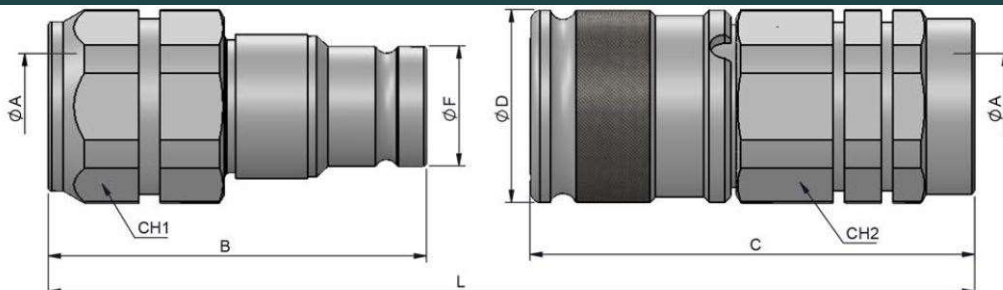


# 131 SERIES CPR

STAINLESS STEEL  
AISI 316



## DN10

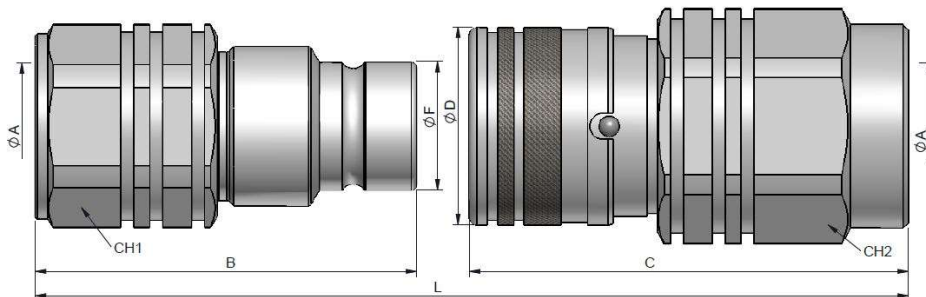


MALE STANDARD MODELS

FEMALE STANDARD MODELS

DN	ØA	REF.		CH1	B	ØF	L	DN	ØA	REF.		CH2	C	ØD	L	
10	3/8" BSP	131.21122AC		30	62.5	19.80	116.5	10	3/8" BSP	131.22122AC		30	64.50	32	116.5	
	3/8" NPTF	131.21122BC								3/8" NPTF						131.22122BC
	1/2" BSP	131.21122AD								1/2" BSP						131.22122AD
	1/2" NPTF	131.21122BD								1/2" NPTF						131.22122BD
	3/4" -16ORB	131.21122GF								3/4" -16ORB						131.22122GF
	7/8" -14ORB	131.21122GH								7/8" -14ORB						131.22122GH

## DN12.5



MALE STANDARD MODELS

FEMALE STANDARD MODELS

DN	ØA	REF.		CH1	B	ØF	L	DN	ØA	REF.		CH2	C	ØD	L	
12.5	1/2" BSP	131.21123AD		36	62.5	24.50	134.5	12.5	1/2" BSP	131.22123AD		41	84	38	134.5	
	1/2" NPTF	131.21123BD								1/2" NPTF						131.22123BD
	3/4" BSP	131.21123AE								3/4" BSP						131.22123AE
	3/4" NPTF	131.21123BE								3/4" NPTF						131.22123BE
	7/8" -14ORB	131.21123GH								7/8" -14ORB						131.22123GH
	1 1/16" 12ORB	131.21123GK								1 1/16" 12ORB						131.22123GK

## 131-18



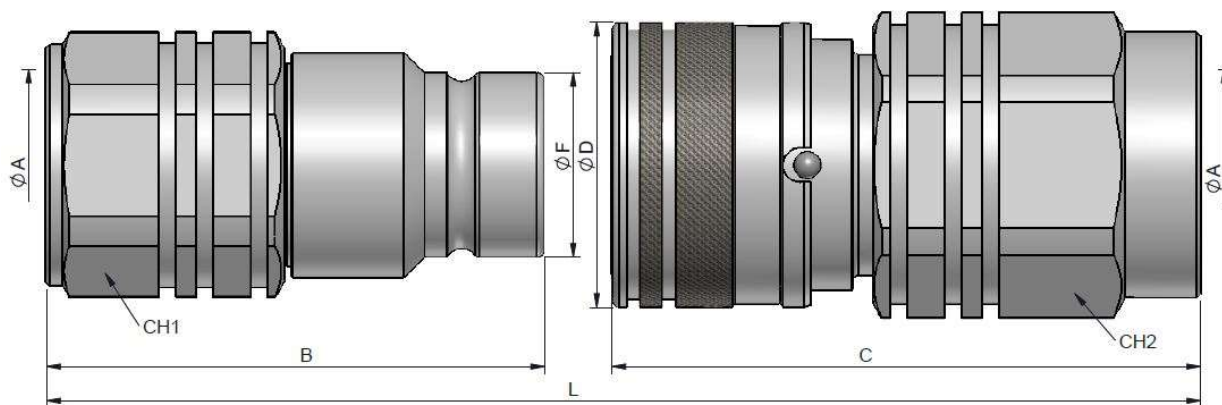


# 131 SERIES CPR

STAINLESS STEEL  
AISI 316




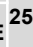
INTEVA

## DN16

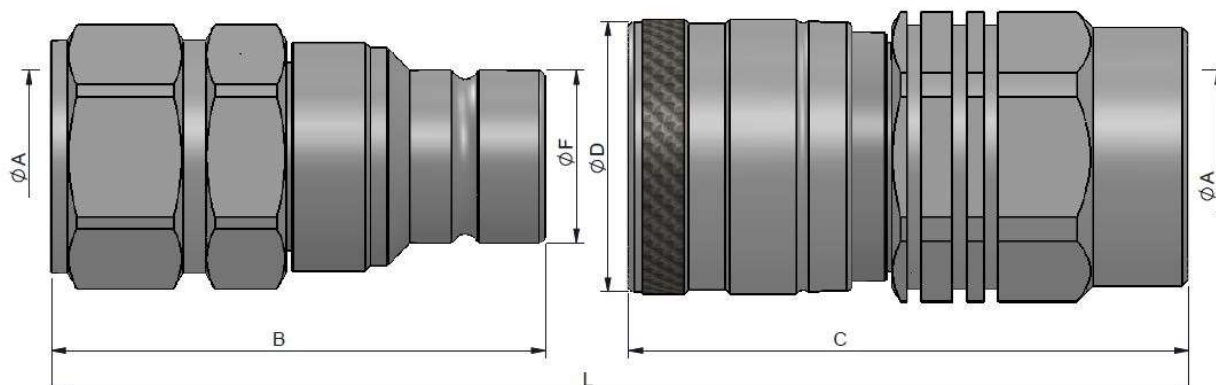


MALE STANDARD MODELS

FEMALE STANDARD MODELS



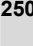
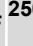
DN	ØA	REF.		CH1	B	ØF	L	DN	ØA	REF.		CH2	C	ØD	L
16	3/4" BSP	131.21124AE		36	70.50	27	132	16	3/4" BSP	131.22124AE		41	78	42	132
	3/4" NPTF	131.21124BE							3/4" NPTF	131.22124BE					
	1 1/16" -12ORB	131.21124GK							1 1/16" -12ORB	131.22124GK					

## DN19



MALE STANDARD MODELS

FEMALE STANDARD MODELS

DN	ØA	REF.		CH1	B	ØF	L	DN	ØA	REF.		CH2	C	ØD	L
19	1" BSP	131.21125AF		41	82.50	30	154	19	1" BSP	131.22125AF		46	92.50	48	154
	1" NPTF	131.21125BF							1" NPTF	131.22125BF					
	1 5/16" -12ORB	131.21125GO							1 5/16" -12ORB	131.22125GO					

## 131-19

INTEVA reserves the right to make modifications in its products without prior notice.  
Any external or internal alteration in our products will automatically void the warranty.



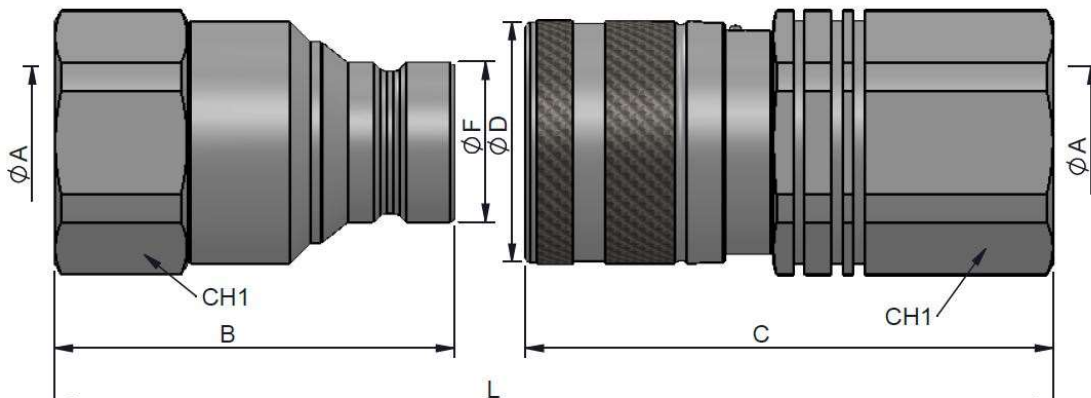


# 131 SERIES CPR

STAINLESS STEEL  
AISI 316



## DN25

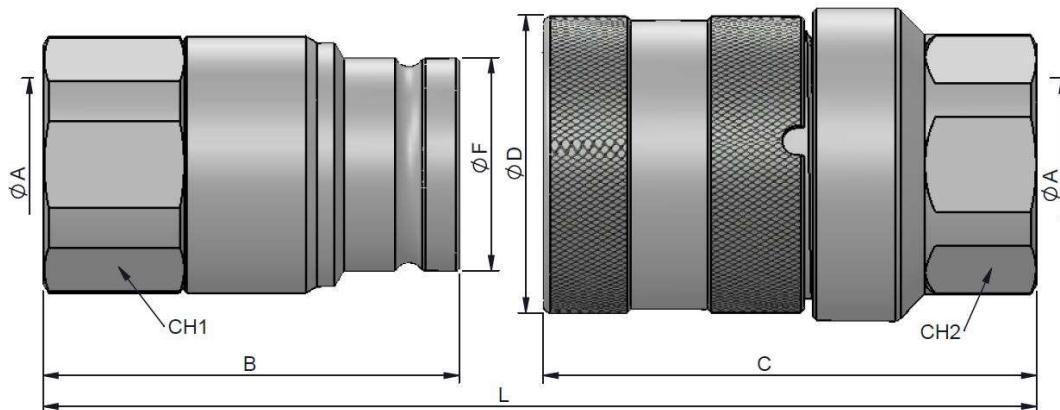


MALE STANDARD MODELS

FEMALE STANDARD MODELS

DN	ØA	REF.		CH1	B	ØF	L	DN	ØA	REF.		CH2	C	ØD	L
25	1 1/4" BSP	131.21126AG	250Bar	55	90	36	173	25	1 1/4" BSP	131.22126AG	250Bar	55	105	55	173
	1 1/4" NPTF	131.21126BG													

## DN30



MALE STANDARD MODELS

FEMALE STANDARD MODELS

DN	ØA	REF.		CH1	B	ØF	L	DN	ØA	REF.		CH2	C	ØD	L
30	1 1/2" BSP	131.21127AH	250Bar	65	111	57	215	30	1 1/2" BSP	131.22127AH	250Bar	65	132.50	80	215
	1 1/2" NPTF	131.21127BH													

131-20

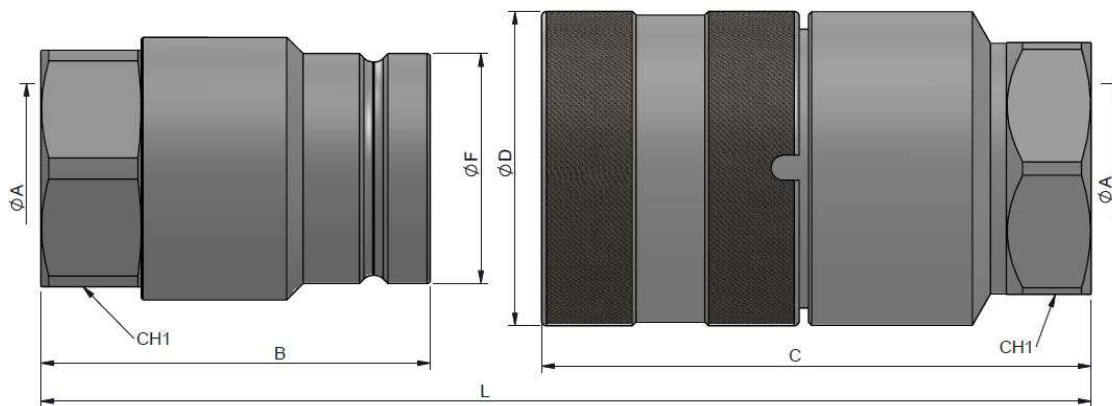


# 131 SERIES CPR

STAINLESS STEEL  
AISI 316





DN45



MALE STANDARD MODELS

FEMALE STANDARD MODELS

DN	ØA	REF.		CH1	B	ØF	L	DN	ØA	REF.		CH2	C	ØD	L
45	2" BSP	131.21128Al	250Bar	75	125	73	259	45	2" BSP	131.22128Al	250Bar	80	165	100	259

131-21

INTEVA reserves the right to make modifications in its products without prior notice.  
Any external or internal alteration in our products will automatically void the warranty.





# 131 SERIES

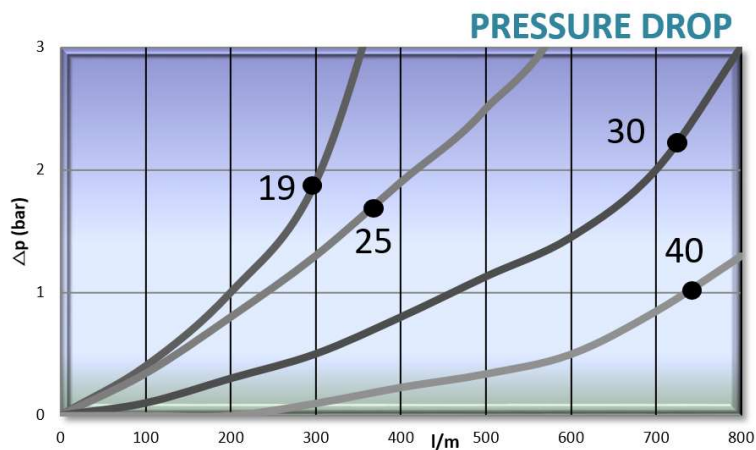
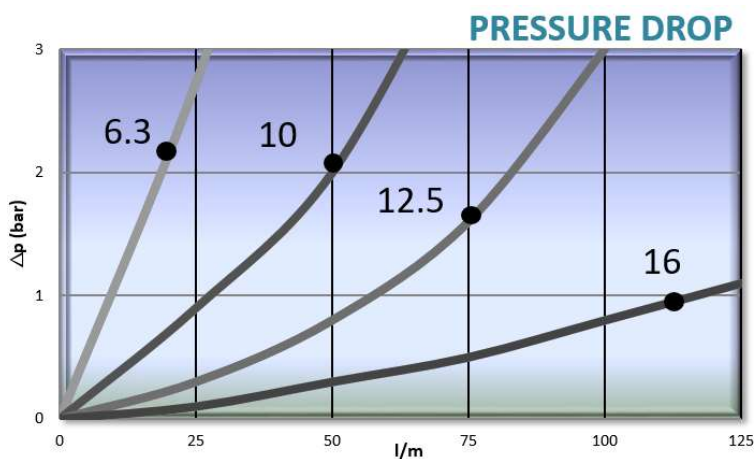
## CPR

STAINLESS STEEL  
AISI 316



TECHNICAL DATA		Stainless Steel			
DN	Rated Flow	Min Burst Pressure (bar)			Max. Working Pressure
		Male	Female	Coupled	
04	5 l/m	1450	1400	1400	350 Bar
6.3	18 l/m	1450	1400	1400	350 Bar
10	45 l/m	1020	1100	1000	250 Bar
12.5	75 l/m	1000	980	1000	250 Bar
16	150 l/m	950	970	1000	250 Bar
19	200 l/m	950	940	1000	250 Bar
25	220 l/m	930	900	1000	250 Bar
30	240 l/m	930	890	1000	250 Bar

Test performed according to ISO 18869



131-22

INTEVA reserves the right to make modifications in its products without prior notice.  
Any external or internal alteration in our products will automatically void the warranty.





# 131 SERIES

## CPR

### C.U.R.P.



Manufactured according ISO 16028 norm.  
Flat Valve which avoids fluid leakages during the connection and disconnection.

• **Materials**

Carbon Steel EN -10277-3

O-ring: NBR. Viton or EPDM

Back-up-ring: PTFE

Balls: AISI 1010/1015

Springs: Carbon Steel DIN 17233/84(B)

• **Working temperature (O-ring)**

	NBR	Viton	EPDM
	+100°C	+200°C	+150°C
	-30°C	-10°C	-40°C

• **Applications:** Designed for Oil hydraulic Applications.  
Hammer Application

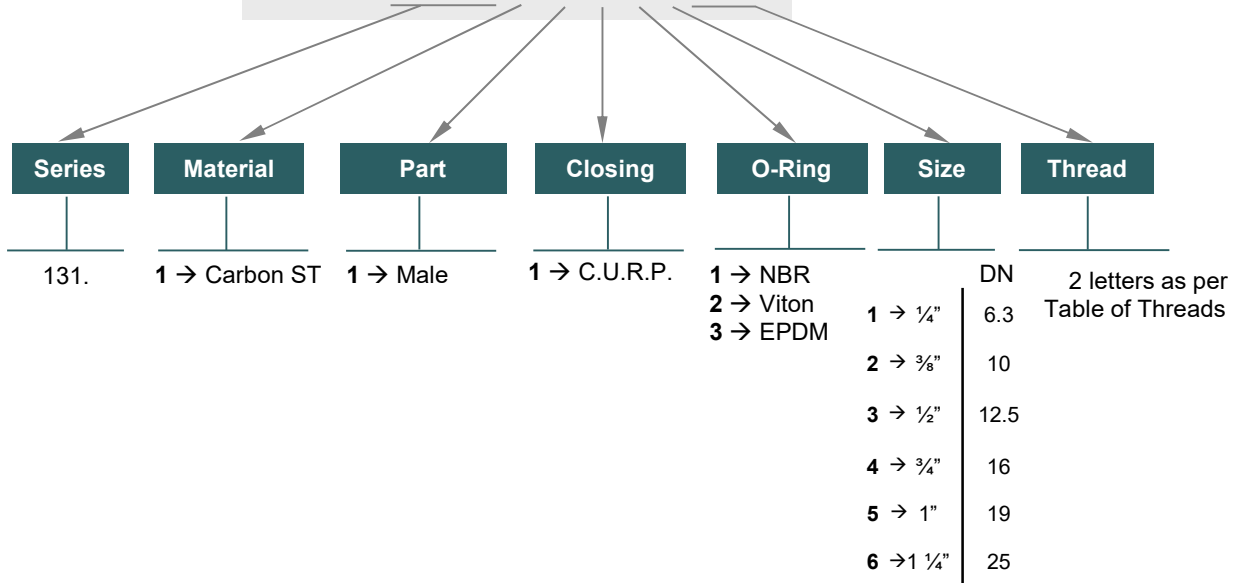
• **Sectors:** Industrial, Chemical



**MODEL STRUCTURE**

Example:

**131.11313 AD**







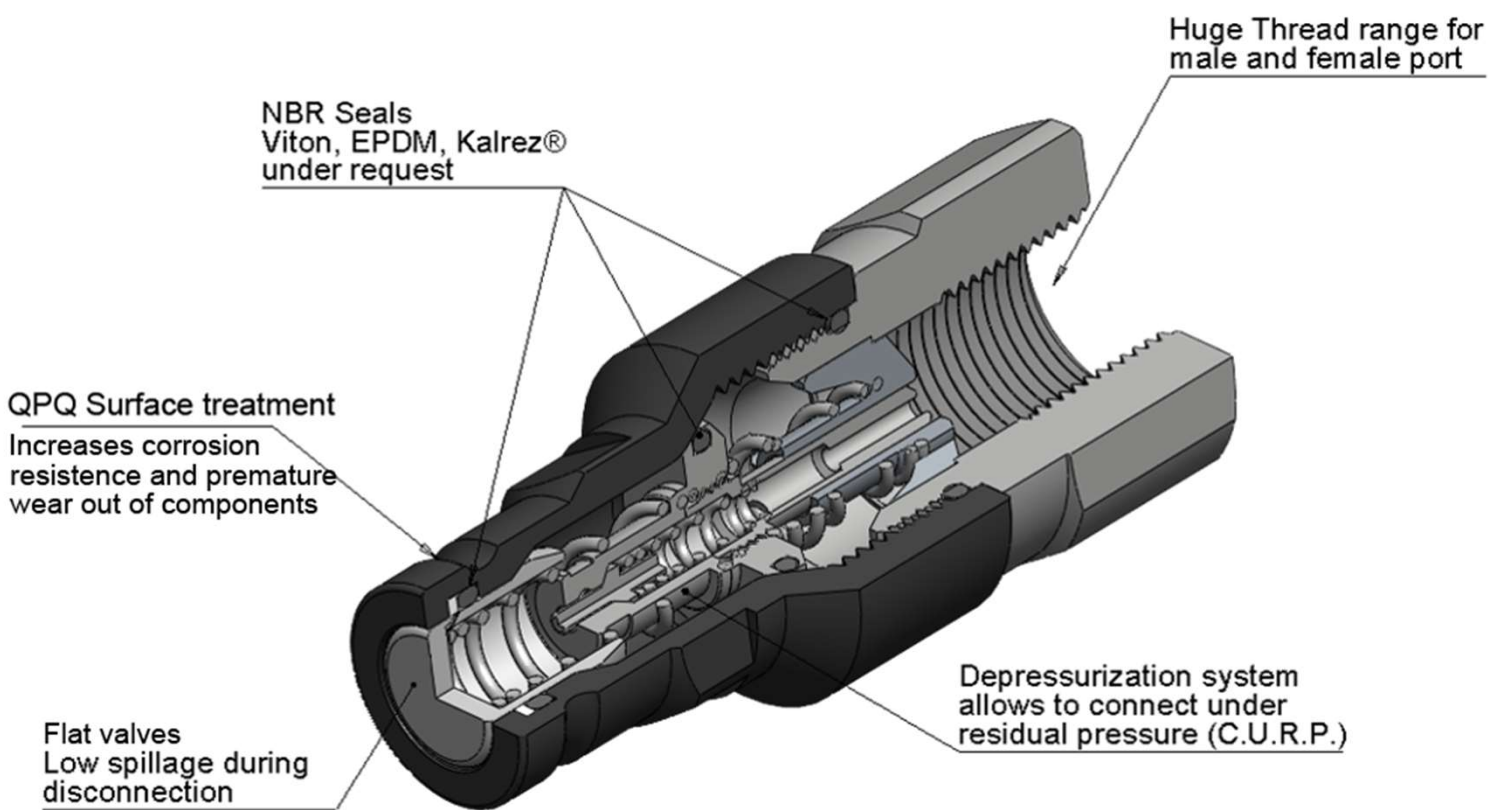
# 131 SERIES

## CPR

### C.U.R.P.



Manufactured according ISO 16028 norm.  
Flat Valve which avoids fluid leakages during the connection and disconnection.  
Interchangeable with all ISO 16028 female coupling SERIES 131.



Test performed according to ISO 18869

## 131-24

INTEVA reserves the right to make modifications in its products without prior notice.  
Any external or internal alteration in our products will automatically void the warranty.

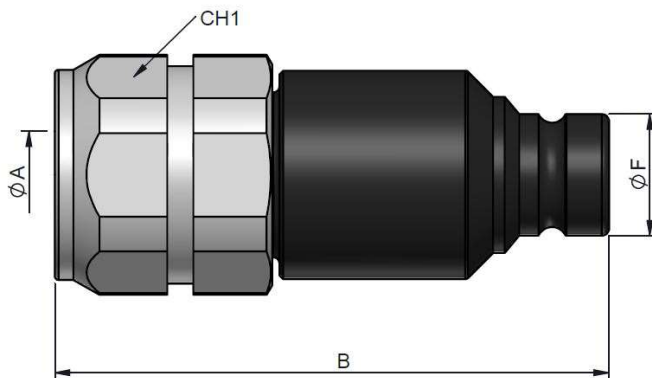




# 131 SERIES CPR C.U.R.P.



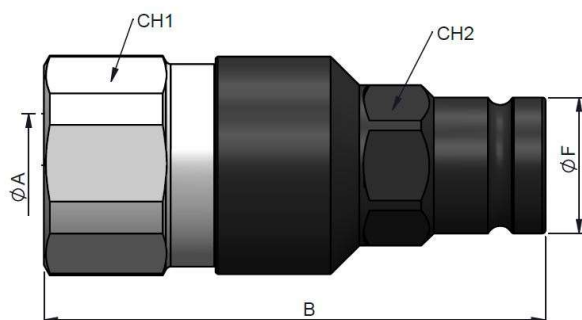
## DN6.3



MALE STANDARD MODELS

DN	ØA	REF.		CH1	B	ØF	L
6.3	1/4" BSP	131.11311AB	400Bar	30	74	16.20	121
	1/4" NPTF	131.11311BB					

## DN10



MALE STANDARD MODELS

DN	ØA	REF.		CH1	CH2	B	ØF	L
10	3/8" BSP	131.11312AC	350Bar	30	21	73	19.80	130.2
	3/8" NPTF	131.11312BC						
	1/2" BSP	131.11312AD						
	1/2" NPTF	131.11312BD						
	3/4"-16ORB	131.11312GF						
	7/8"-14ORB	131.11312GH						

## 131-25

INTEVA reserves the right to make modifications in its products without prior notice.  
Any external or internal alteration in our products will automatically void the warranty.





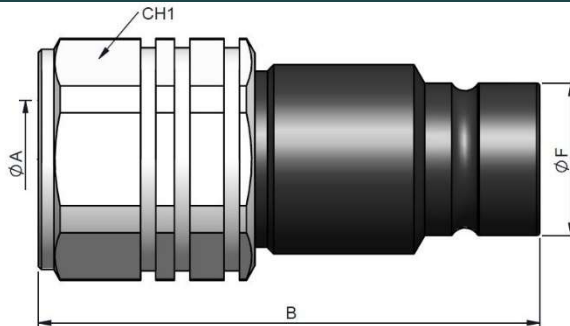
# 131 SERIES

## CPR

### C.U.R.P.



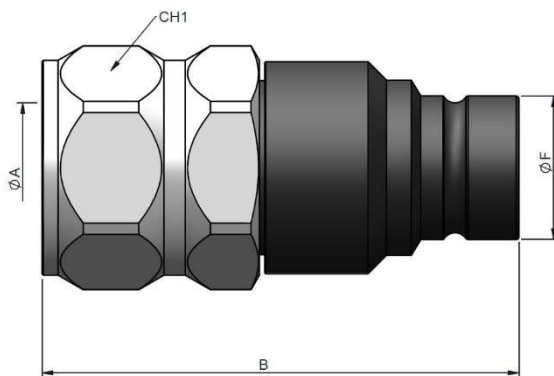
#### DN12.5



MALE STANDARD MODELS

DN	$\varnothing A$	REF.		CH1	B	$\varnothing F$	L
12.5	1/2" BSP	131.11313AD	330Bar	36	81	24.5	149.4
	1/2" NPTF	131.11313BD					
	3/4" BSP	131.11313AE					
	3/4" NPTF	131.11313BE					
	7/8"-14ORB	131.11313GH					
	1 1/16"-12ORB	131.113113GK					

#### DN16



MALE STANDARD MODELS

DN	$\varnothing A$	REF.		CH1	B	$\varnothing F$	L
16	3/4" BSP	131.11314AE	330Bar	41	90	27,1	157.5
	3/4" NPTF	131.11314BE					
	1 1/16" - 12ORB	131.11314GK					

## 131-26

INTEVA reserves the right to make modifications in its products without prior notice.  
Any external or internal alteration in our products will automatically void the warranty.





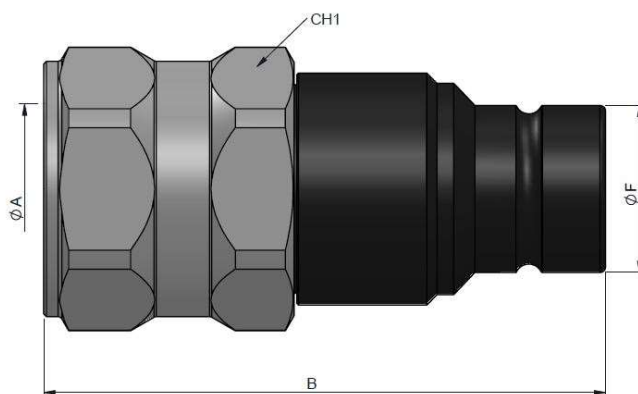
# 131 SERIES

## CPR


### C.U.R.P.



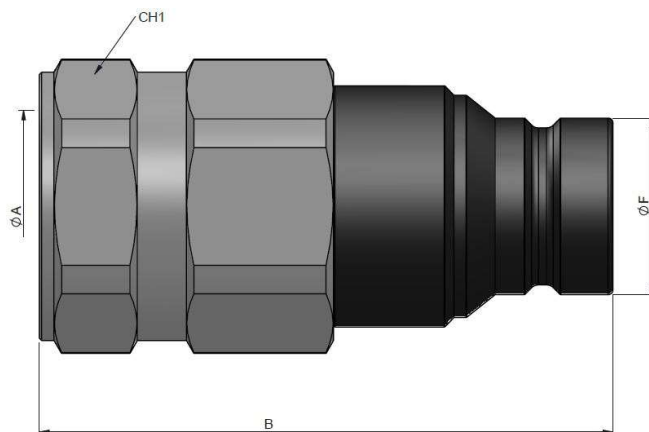
#### DN19



MALE STANDARD MODELS

DN	ØA	REF.		CH1	B	ØF	L
19	1" BSP	131.11315AF	330Bar	46	101	30	175
	1" NPTF	131.11315BF					
	1 5/16" - 12ORB	131.11315GO					

#### DN25



MALE STANDARD MODELS

DN	ØA	REF.		CH1	B	ØF	L
25	1 1/4" BSP	131.11316AG	300Bar	55	117	36	212
	1 1/4" NPTF	131.11316BG					



# 131 SERIES

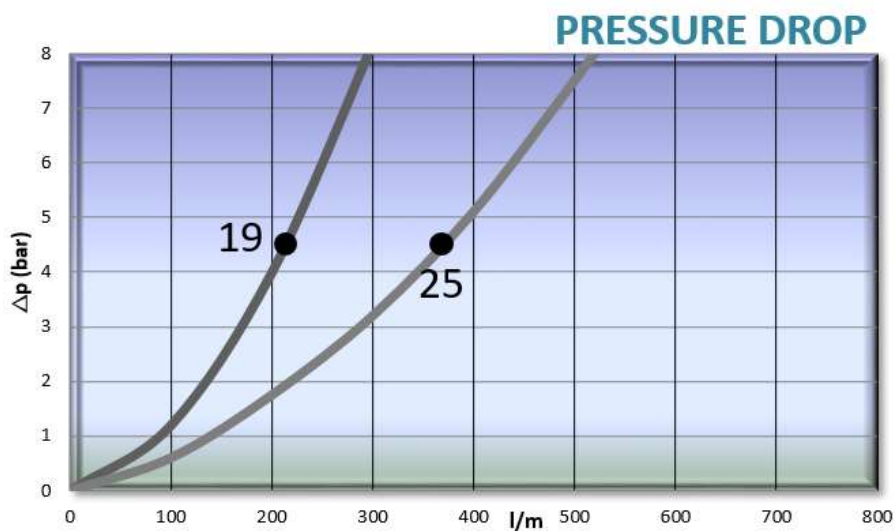
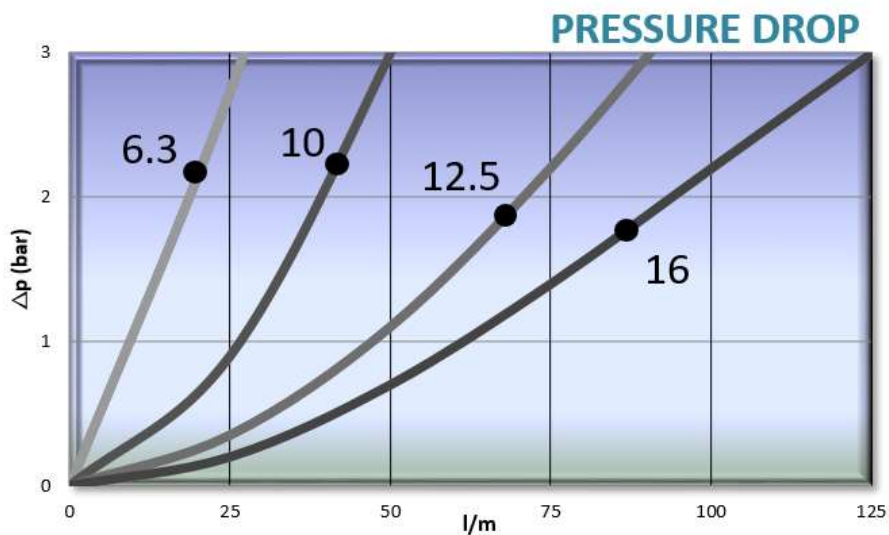
## CPR

### C.U.R.P.



TECHNICAL DATA				
DN	Rated Flow	Min Burst Pressure (bar)		Max. Working Pressure
		Male	Coupled	
6.3	18 l/m	1200	1100	400 Bar
10	45 l/m	1200	1000	350 Bar
12.5	75 l/m	1200	1000	330 Bar
16	150 l/m	1200	1000	330 Bar
19	200 l/m	1000	800	330 Bar
25	380 l/m	1000	800	300 Bar

Test performed according to ISO 18869



**131-28**

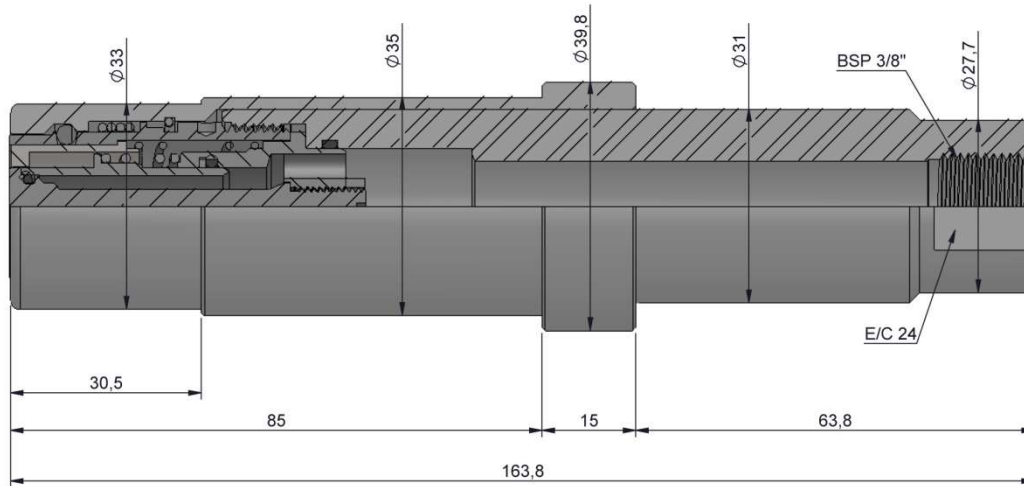
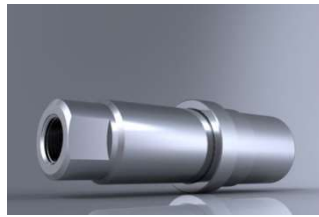
INTEVA reserves the right to make modifications in its products without prior notice.  
Any external or internal alteration in our products will automatically void the warranty.







# 131 SERIES CPR



STANDARD MODEL CARBON STEEL						
DN	ØA	REF.		E/C	ØD	L
10	3/8" BSP	131SB.12112AC	350	24	33	164

TECHNICAL DATA					
DN	Nominal Flow	Min. Burst Pressure			Max. Working Pressure
		Male	Female	Coupled	
10	45 l/m	1300	1200	1400	350 bar

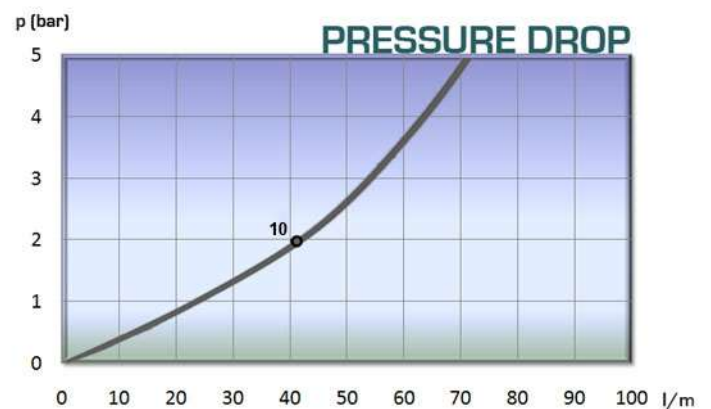
Test performed according to ISO 18869

### Designation

DN-10 FLAT FACE FEMALE 3/8" high pressure to lift trash containers

### Features:

- ✓ Developed for use in working with high frequency pulsating pressure and water hammer.
- ✓ Pressure: 350 bar.
- ✓ Connectable with a residual mean pressure.
- ✓ Nickel plated outer body chemical, very corrosion resistant to ensure durability under the most extreme
- ✓ Ergonomically shaped for easy connection and disconnection.
- ✓ Compact flat face that eliminates leaks and contamination of the circuit.
- ✓ Manufactured under ISO 16028.





# 131 SERIES

## CPR CAPS



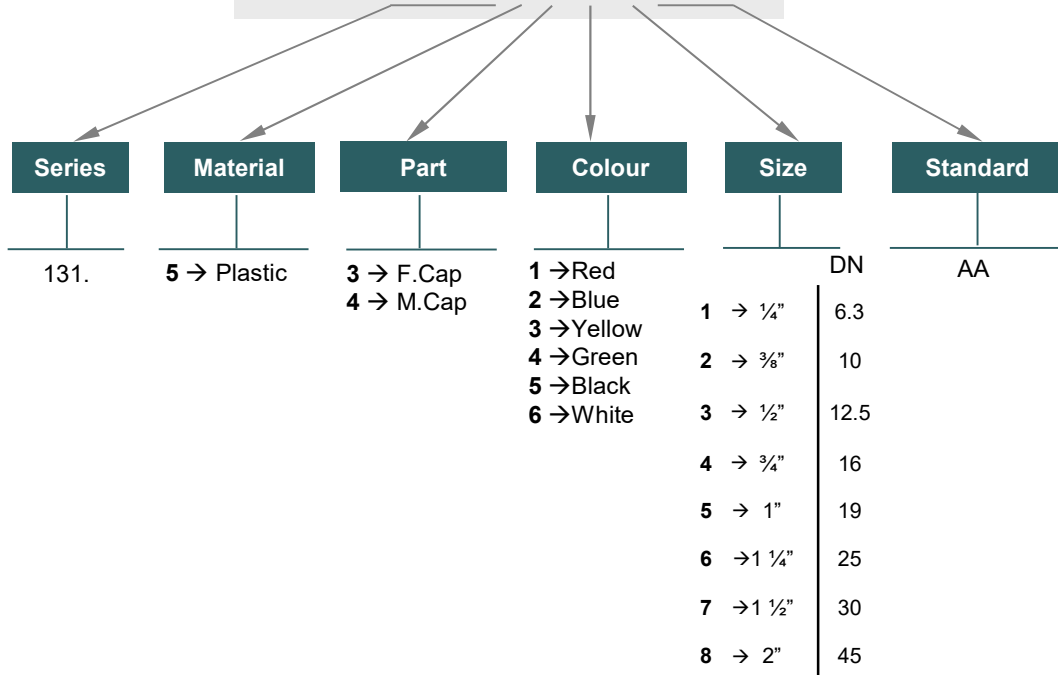
CPR SERIES CAPS have been designed to protect FEMALE (coupler) or MALE (nipple) parts while they are disconnected.  
Manufactured according to ISO 16028 norm.

### MODEL STRUCTURE

For caps

Example:

## 131.5313 AA



FEMALE CAP						
DN	RED	BLUE	YELLOW	GREEN	BLACK	WHITE
6.3	131.5311AA	*	*	*	*	*
10	131.5312AA	*	*	*	*	*
12.5	131.5313AA	*	*	*	*	*
16	131.5314AA	*	*	*	*	*
19	131.5315AA	*	*	*	*	*

MALE CAP						
DN	RED	BLUE	YELLOW	GREEN	BLACK	WHITE
6.3	131.5411AA	*	*	*	*	*
10	131.5412AA	*	*	*	*	*
12.5	131.5413AA	*	*	*	*	*
16	131.5414AA	*	*	*	*	*
19	131.5415AA	*	*	*	*	*

\* Available upon request

\* Use 131 instead of 130 in reference to ask for CPR Caps

## 131-30

INTEVA reserves the right to make modifications in its products without prior notice.  
Any external or internal alteration in our products will automatically void the warranty.



v8