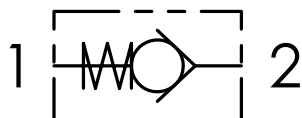
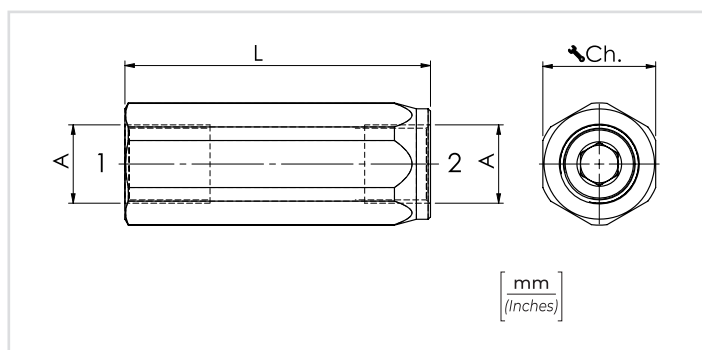


SCHEMA IDRAULICO / HYDRAULIC CIRCUIT



DATI TECNICI / TECHNICAL DATA

| | |
|--|---|
| Olio idraulico - Mineral oil | ISO 6743/4 (DIN 51524) |
| Viscosità olio - Oil viscosity | 15-250 mm ² /s (15 to 250 cSt) |
| Classe di contaminazione max con filtro Max contamination index with filter | ISO 4406:1999 Classe 19/17/14 |
| Temperatura dell'olio - Oil temperature | -20°C +80°C -4°F +176°F |
| Temperatura ambiente - Environment temperature | -20°C +50°C -4°F +122°F |
| È indispensabile l'utilizzo di un filtro per proteggere la valvola (filtrazione consigliata 15 µm) It is necessary a filter use to protect the valve (advised filtration 15 µm) | |
| Trafilamento massimo Max leakage | 0,25 cm ³ /min - 5 gocce/min 0,015 in ³ /min - 5 drops/min |

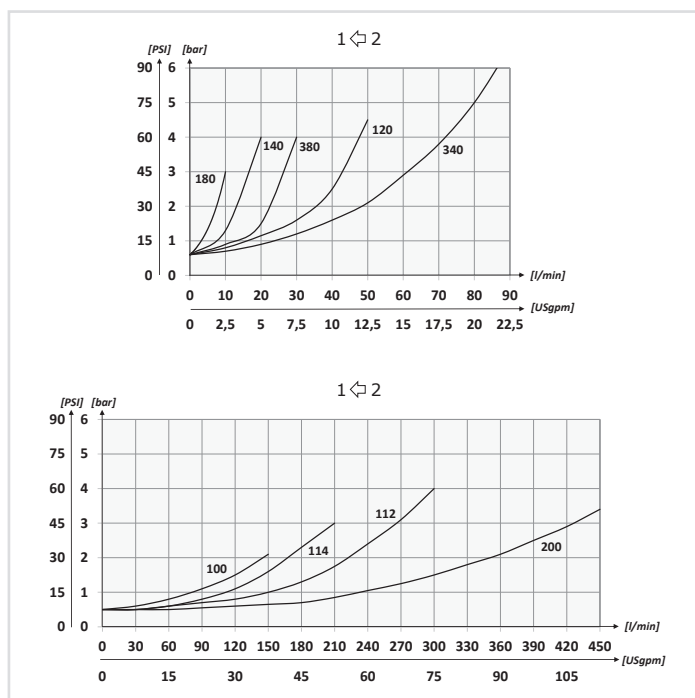


CODICE ORDINAZIONE ORDERING CODE

| | | | |
|------------|----|----|----|
| 01 | 02 | 03 | 04 |
| VUR | | | |

| | | | |
|-----------|---|---|---|
| 01 | VALVOLE UNIDIREZIONALI A COLONNETTA F/F (F/F CHECK HOUSING VALVES) | | VUR |
| 02 | DIMENSIONE (SIZE) | BSPP 1/8 | 180 |
| | | BSPP 1/4 | 140 |
| | | BSPP 3/8 | 380 |
| | | BSPP 1/2 | 120 |
| | | BSPP 3/4 | 340 |
| | | BSPP 1 | 100 |
| | | BSPP 1-1/4 | 114 |
| | | BSPP 1-1/2 | 112 |
| | BSPP 2 | 200 | |
| 03 | TENUTA (SEALING) | Tenuta a sfera solo per VUR180/140/380/120 e molla 1 bar (Ball sealing only for VUR180/140/380/120 and spring 1 bar) | SF |
| | | Tenuta a cono (Poppet sealing) | SP |
| 04 | MOLLA (SPRING) | 1 bar Standard (14.5 PSI) | 1 |
| | | 3 bar (43.5 PSI) | 3 |
| | | 4,5 bar (65.25 PSI) | 4,5 |
| | | 6 bar (87 PSI) | 6 |
| | | 10 bar (145 PSI) | Solo versione 120 (Only 120 version) |

PERFORMANCES



CARATTERISTICHE TECNICHE / TECHNICAL CHARACTERISTICS

| TIPO TYPE | A | PORTATA MAX (l/min) MAX FLOW (USgpm) | PRESSIONE MAX (bar) MAX PRESSURE (PSI) | L | Ch. | PESO APPROX (kg) APPROX WEIGHT (lb) |
|--------------|------------|---|---|-------------|------------|--|
| VUR180 | BSPP 1/8 | 5 (1.3) | 400 (5800) | 47 (1.85) | 14 | 0,05 (0.11) |
| VUR140 | BSPP 1/4 | 15 (4.0) | | 55 (2.17) | 19 | 0,10 (0.22) |
| VUR380 | BSPP 3/8 | 30 (7.9) | | 65 (2.56) | 24 | 0,18 (0.40) |
| VUR120 | BSPP 1/2 | 50 (13.2) | | 75 (2.95) | 27 | 0,23 (0.50) |
| VUR340 | BSPP 3/4 | 90 (23.8) | | 86,5 (3.41) | 35 | 0,45 (1) |
| VUR100 | BSPP 1 | 150 (39.6) | 350 (5075) | 110 (4.33) | 41 | 0,73 (1.6) |
| VUR114 | BSPP 1-1/4 | 200 (52.8) | | 123 (4.84) | 54 | 1,5 (3.3) |
| VUR112 | BSPP 1-1/2 | 300 (79.2) | | 138 (5.43) | 59 | 1,85 (4.07) |
| VUR200 | BSPP 2 | 430 (113.5) | | 250 (3625) | 145 (5.71) | 69 |