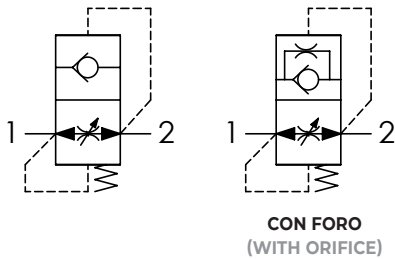




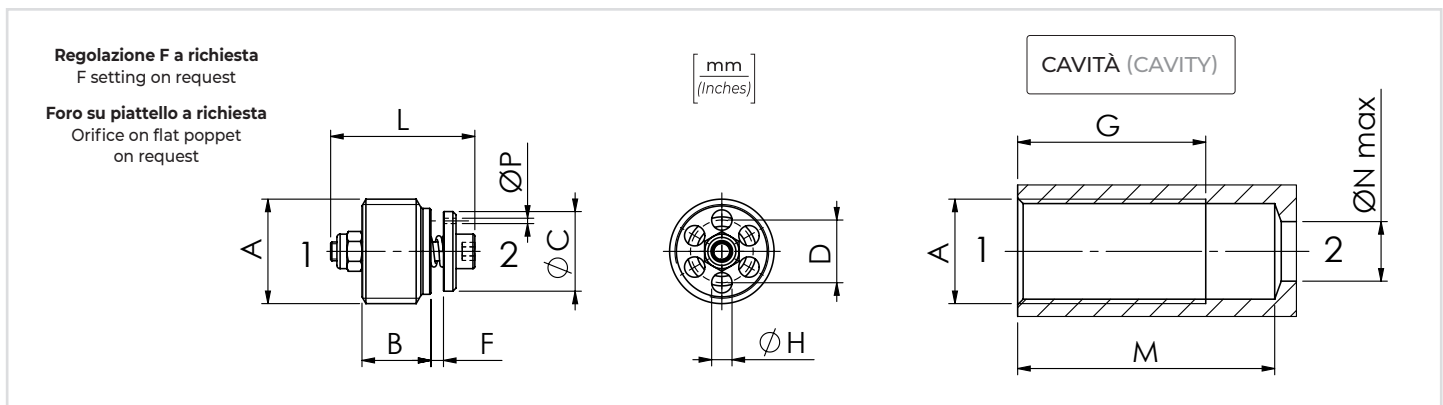
**CODICE ORDINAZIONE**  
ORDERING CODE

01	02	03	04
<b>VUBA</b>			

**SCHEMA IDRAULICO / HYDRAULIC CIRCUIT**



<b>01</b>	VALVOLE DI SICUREZZA PER TUBAZIONI (HOSE BURST VALVES)	<b>VUBA</b>
<b>02</b>	DIMENSIONE (SIZE)	BSPP 1/4 <b>140</b>
		BSPP 3/8 <b>380</b>
		BSPP 1/2 <b>120</b>
		BSPP 3/4 <b>340</b>
		BSPP 1 <b>100</b>
<b>03</b>	REGOLAZIONE (SETTING)	Esempio: regolazione 0,7 mm (Example: setting 0.7 mm) <b>F 0,7</b>
		Omettere se non richiesto (Omit if not required) <b>F_</b>
<b>04</b>	FORO SUL PIATTELLO (ORIFICE ON FLAT POPPET)	Esempio: foro 1,5 mm (Example: hole 1.5 mm) <b>P 1,5</b>
		Omettere se non richiesto (Omit if not required) <b>P_</b>



**DATI TECNICI / TECHNICAL DATA**

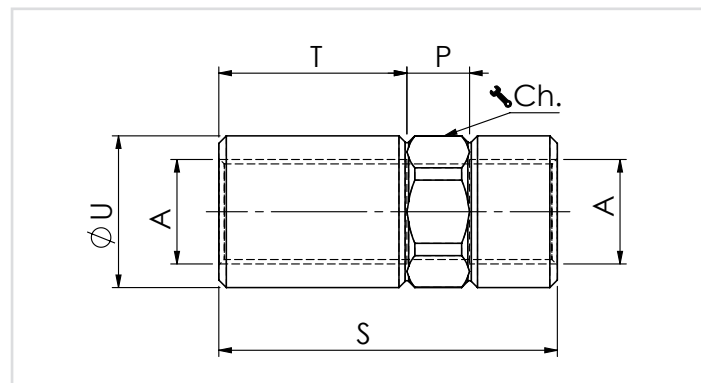
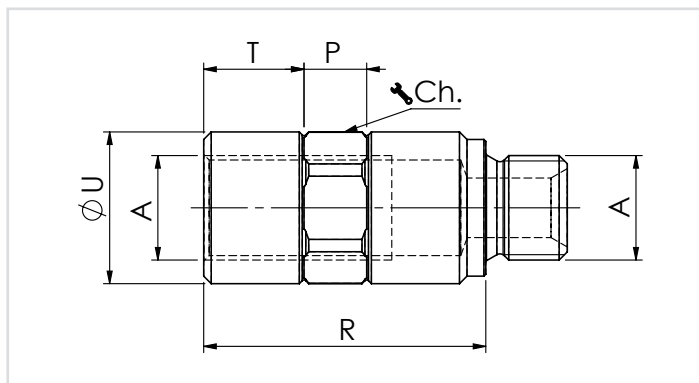
Olio idraulico - Mineral oil	ISO 6743/4 (DIN 51524)
Viscosità olio - Oil viscosity	15-250 mm <sup>2</sup> /s (15 to 250 cSt)
Classe di contaminazione max con filtro Max contamination index with filter	ISO 4406:1999 Classe 19/17/14
Temperatura dell'olio - Oil temperature	-20°C +80°C -4°F +176°F
Temperatura ambiente - Ambient temperature	-20°C +50°C -4°F +122°F
È indispensabile l'utilizzo di un filtro per proteggere la valvola (filtrazione consigliata 15 µm) It is necessary a filter use to protect the valve (advised filtration 15 µm)	
Trafilamento massimo Max leakage	0,25 cm <sup>3</sup> /min - 5 gocce/min 0,015 in <sup>3</sup> /min - 5 drops/min

**CHIAVE TOOL**

Dimensione/Dimensions		
Tipo chiave Tool's Type	Tipo Type	Peso/Weight kg-lbt
61700001	VUBA140	0,12 (0.27)
61700002	VUBA380	0,13 (0.29)
61700003	VUBA120	0,15 (0.33)
61700004	VUBA340	0,18 (0.40)

**CARATTERISTICHE TECNICHE / TECHNICAL CHARACTERISTICS**

TIPO TYPE	A	PORTATA MAX MAX FLOW l/min-USgpm	PRESSIONE MAX MAX PRESSURE bar-PSI	B	C	D	G	H	L	M	N	COPPIA DI SERRAGGIO TIGHTENING TORQUE Nm-lbt ft	PESO APPROX APPROX WEIGHT kg-lbt
VUBA140	BSPP 1/4	25 (6.6)	350 (5075)	8,2 (0.32)	10,4 (0.41)	8 (0.31)	25 (0.98)	2,5 (0.10)	19 (0.75)	35 (1.38)	7 (0.28)	2 (1.5)	0,008 (0.017)
VUBA380	BSPP 3/8	50 (13.2)		11 (0.43)	12,7 (0.50)	10 (0.39)	30 (1.18)	3,25 (0.13)	23 (0.90)	41 (1.61)	9,5 (0.37)	3 (2.5)	0,014 (0.030)
VUBA120	BSPP 1/2	80 (21.1)		13 (0.51)	15 (0.59)	11,5 (0.45)	33 (1.30)	4 (0.16)	29 (1.14)	46 (1.81)	12 (0.47)	4 (3)	0,025 (0.055)
VUBA340	BSPP 3/4	150 (39.6)		18 (0.71)	18 (0.71)	14,5 (0.57)	42 (1.65)	5,2 (0.20)	34 (1.34)	55 (2.17)	16 (0.63)	10 (7.5)	0,054 (0.12)
VUBA100	BSPP 1	180 (47.5)		20 (0.79)	26 (1.02)	19 (0.75)	48 (1.89)	7 (0.28)	40 (1.57)	63 (2.48)	22 (0.87)	12 (9)	0,1 (0.22)



### COLONNETTE - HOUSINGS M/F

TIPO TYPE	A	R	P	T	U	Ch.	PESO APPROX APPROX WEIGHT kg-lbt
61100087	BSPP 1/4	39 (1.53)	10 (0.39)	13 (0.51)	20.5 (0.80)	19	0.07 (0.16)
61100088	BSPP 3/8	45 (1.77)	10 (0.39)	16 (0.63)	24.5 (0.96)	22	0.10 (0.22)
61100089	BSPP 1/2	52 (2.05)	10 (0.39)	19 (0.75)	29.5 (1.16)	27	0.17 (0.37)
61100090	BSPP 3/4	61 (2.40)	12 (0.47)	23 (0.90)	35.5 (1.32)	32	0.26 (0.57)
61100091	BSPP 1	67 (2.63)	15 (0.59)	25.5 (1)	44.5 (1.75)	41	0.4 (0.88)

### COLONNETTE - HOUSINGS F/F

TIPO TYPE	A	S	P	T	U	Ch.	PESO APPROX APPROX WEIGHT kg-lbt
61100092	BSPP 1/4	48 (1.89)	10 (0.39)	13 (0.51)	20.5 (0.80)	19	0.09 (0.20)
61100093	BSPP 3/8	54 (2.13)	10 (0.39)	30 (1.18)	24.2 (0.95)	22	0.11 (0.24)
61100094	BSPP 1/2	73 (2.87)	10 (0.39)	46.5 (1.83)	29.2 (1.14)	27	0.20 (0.44)
61100095	BSPP 3/4	74 (2.91)	12 (0.47)	44 (1.73)	35.5 (1.32)	32	0.27 (0.59)

TARATURA SETTING mm	Portata (l/min) - Flow rate (Usgpm) Tolleranza ± 10% - Tolerance ± 10%				
	VUBA140	VUBA380	VUBA120	VUBA340	VUBA100
0	0	0	0	0	0
0,1	3,0 (0,8)	3,0 (0,8)	4,0 (1,1)	9,0 (2,4)	3,5 (0,9)
0,2	6,0 (1,6)	6,0 (1,6)	8,0 (2,1)	18,0 (4,8)	7,0 (1,8)
0,3	9,3 (2,5)	10,0 (2,6)	12,7 (3,3)	25,3 (6,7)	12,0 (3,2)
0,4	12,7 (3,3)	14,0 (3,7)	17,3 (4,6)	32,7 (8,6)	17,0 (4,5)
0,5	16,0 (4,2)	18,0 (4,8)	22,0 (5,8)	40,0 (10,6)	22,0 (5,8)
0,6	17,0 (4,5)	20,5 (5,4)	26,5 (7,0)	48,5 (12,8)	27,5 (7,3)
0,7	18,0 (4,8)	23,0 (6,1)	31,0 (8,2)	57,0 (15,0)	33,0 (8,7)
0,8	19,2 (5,1)	25,0 (6,6)	34,0 (9,0)	61,7 (16,3)	39,0 (10,3)
0,9	20,3 (5,4)	27,0 (7,1)	37,0 (9,8)	66,3 (17,5)	45,0 (11,9)
1	21,5 (5,7)	29,0 (7,7)	40,0 (10,6)	71,0 (18,7)	51,0 (13,5)
1,1	22,3 (5,9)	30,0 (7,9)	42,5 (11,2)	77,0 (20,3)	53,5 (14,1)
1,2	23,0 (6,1)	31,0 (8,2)	45,0 (11,9)	83,0 (21,9)	56,0 (14,8)
1,3	23,7 (6,2)	32,3 (8,5)	47,7 (12,6)	88,7 (23,4)	60,7 (16,0)
1,4	24,3 (6,4)	33,7 (8,9)	50,3 (13,3)	94,3 (24,9)	65,3 (17,2)
1,5	25,0 (6,6)	35,0 (9,2)	53,0 (14,0)	100,0 (26,4)	70,0 (18,5)
1,6	25,4 (6,7)	36,4 (9,6)	55,8 (14,7)	106,0 (28,0)	72,4 (19,1)
1,7	26,0 (6,9)	37,0 (9,8)	58,6 (15,5)	111,0 (29,3)	74,8 (19,7)
1,8	26,3 (7,0)	38,7 (10,2)	61,4 (16,2)	116,0 (30,6)	77,2 (20,4)
1,9	26,7 (7,0)	40,3 (10,6)	64,2 (16,9)	120,0 (31,7)	79,6 (21,0)
2	27,0 (7,1)	42,0 (11,1)	67,0 (17,7)	124,0 (32,7)	82,0 (21,6)

### REGOLAZIONE "F" / SETTING "F"

