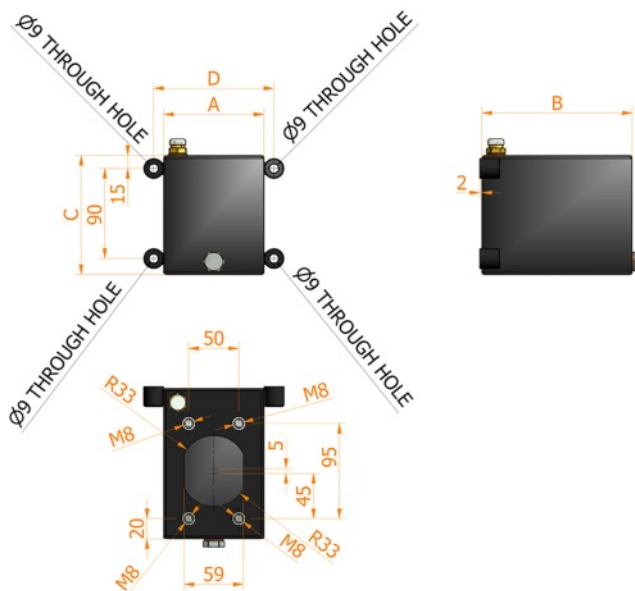
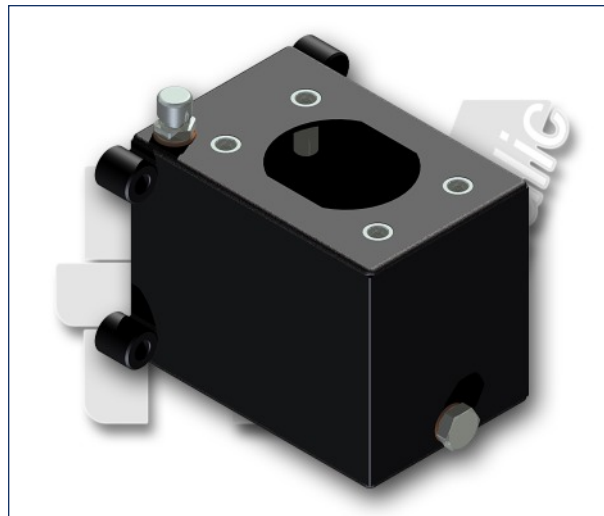


STEEL OIL TANK

painted steel oil tank for hand pumps
lt. 1



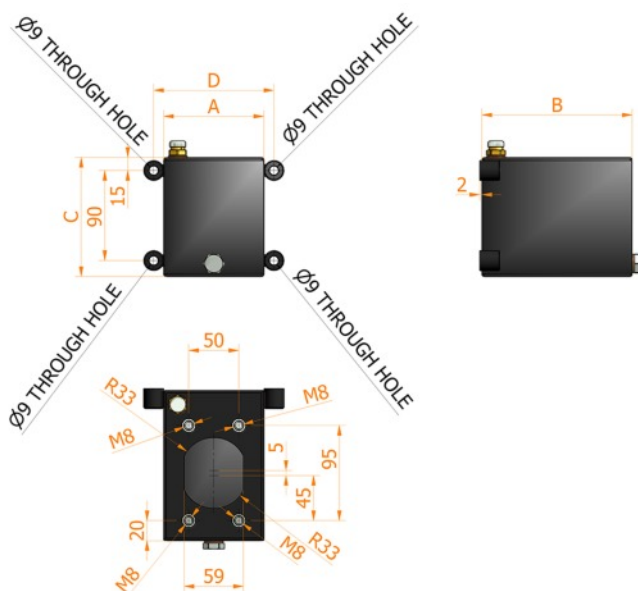
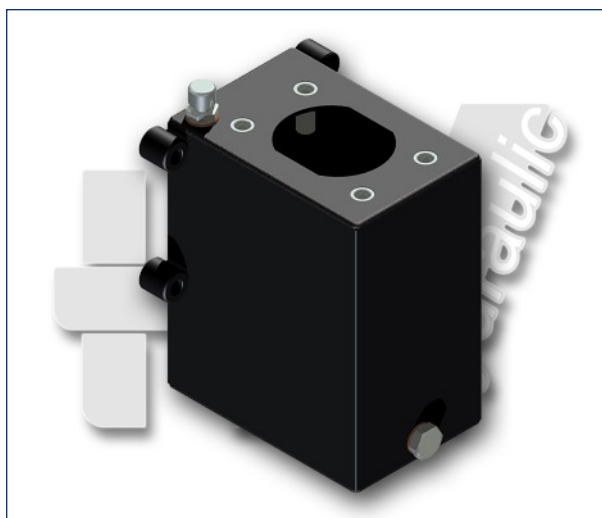
Specifications:

- Model S1 ac 100x150x120
- Suction pipe included
- Breather cap 1/4 G
- Release cap 1/4 G
- Standard colour black

CAPACITY liters	A mm	B mm	C mm	D mm	MASS KG	SUCTION PIPE	CODE
1	100	150	120	120	2,200	Ø10x85 mm	6500.0140

STEEL OIL TANK

Painted steel oil tank for hand pumps
lt. 2



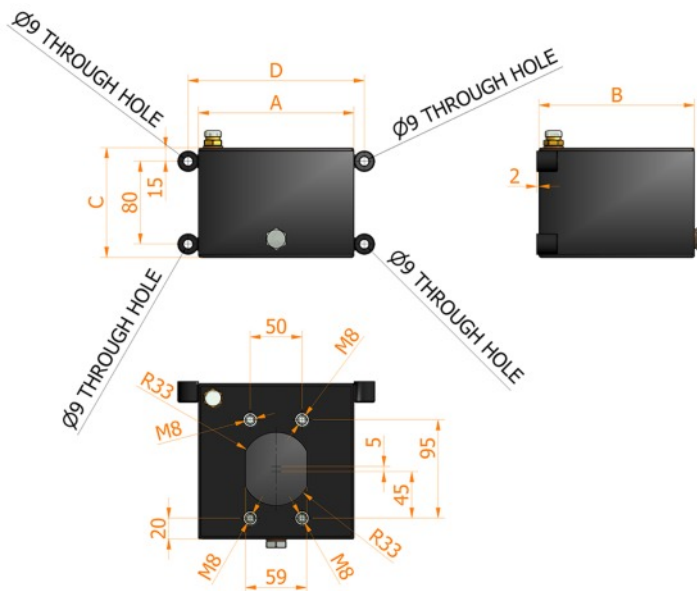
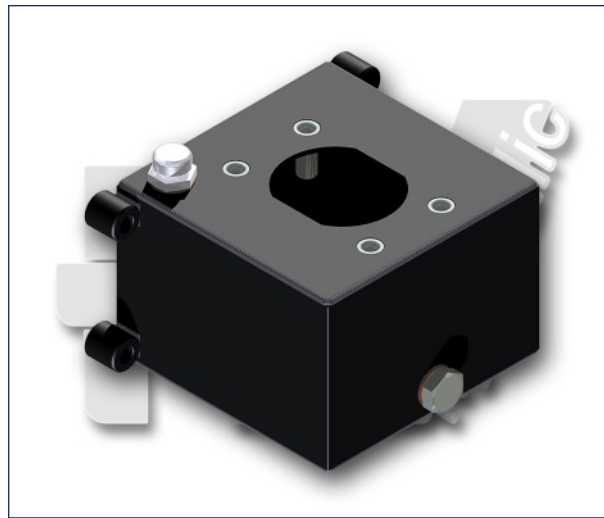
Specifications:

- Model S2 ac 100x150x185
- Suction pipe included
- Breather cap 1/4 G
- Release cap 1/4 G
- Standard colour black

CAPACITY liters	A mm	B mm	C mm	D mm	MASS KG	SUCTION PIPE	CODE
2	100	150	185	120	3,000	Ø10x114 mm	6500.0141

STEEL OIL TANK

Painted steel oil tank for hand pumps
lt. 2



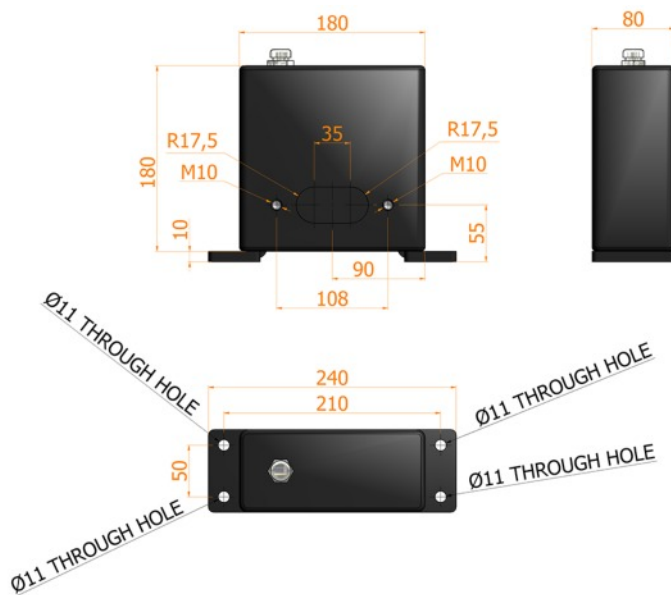
Specifications:

- Model S2 ac 150x150x105
- Suction pipe included
- Breather cap 1/4 G
- Release cap 1/4 G
- Standard colour black

CAPACITY liters	A mm	B mm	C mm	D mm	MASS KG	SUCTION PIPE	CODE
2	150	150	105	170	2,350	Ø10x70 mm	6500.0151

STEEL OIL TANK

painted steel oil tank for hand pumps
lt. 2



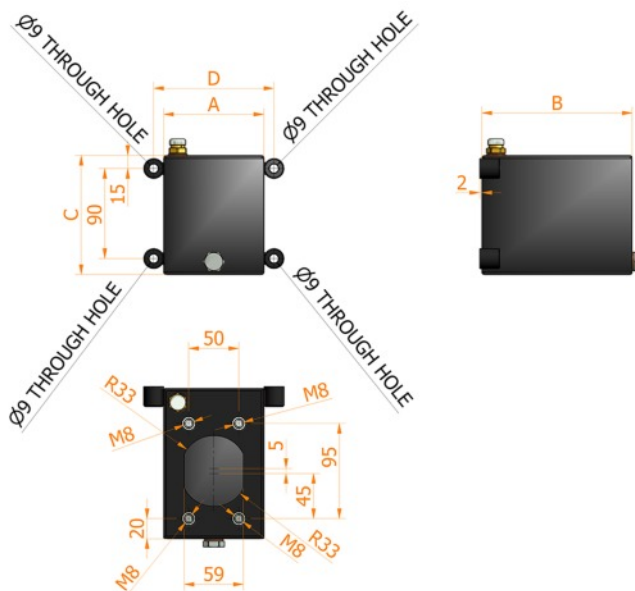
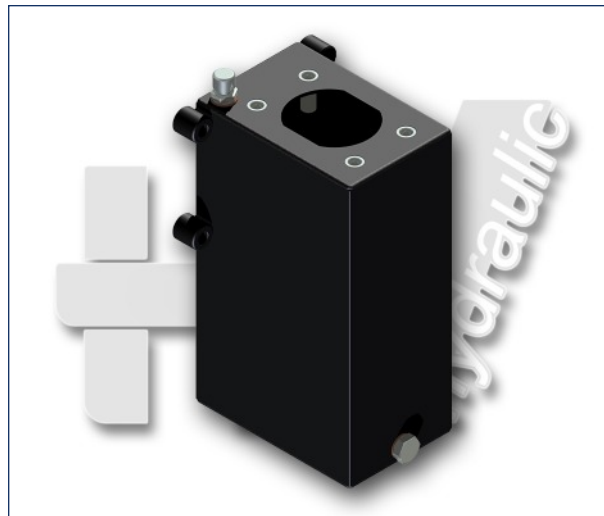
Specifications:

- Model S2 ac suitable to hand pump PM2P 5-10-17
- Breather cap 1/4 G
- Standard colour black

CAPACITY liters	A mm	B mm	C mm	D mm	MASS KG	SUCTION PIPE	CODE
2 x PM2P 5-10-17	--	--	--	--	3,750	--	6500.0201

STEEL OIL TANK

Painted steel oil tank for hand pumps
lt. 3



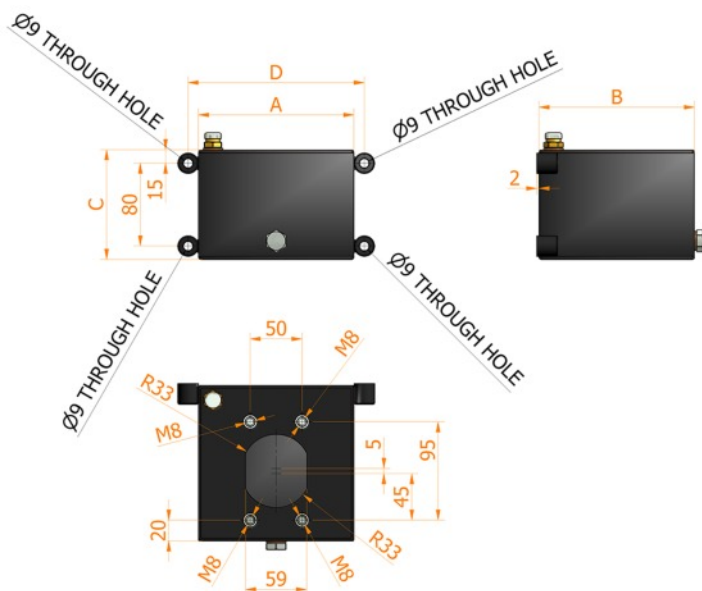
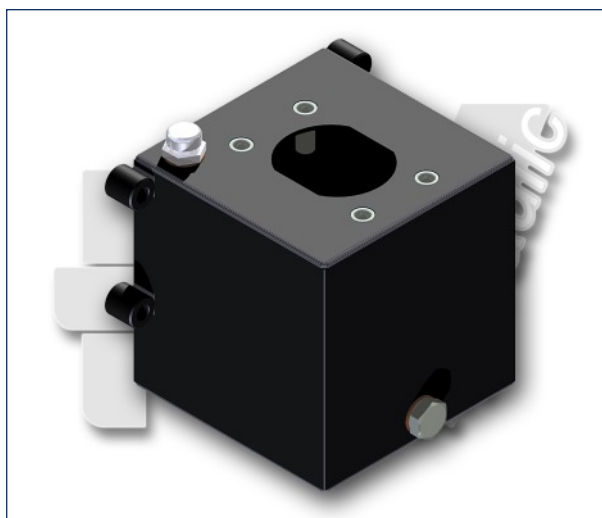
Specifications:

- Model S3 ac 100x150x255
- Suction pipe included
- Breather cap 1/4 G
- Release cap 1/4 G
- Standard colour black

CAPACITY liters	A mm	B mm	C mm	D mm	MASS KG	SUCTION PIPE	CODE
3	100	150	255	120	3,700	Ø10x180 mm	6500.0142

STEEL OIL TANK

Painted steel oil tank for hand pumps
lt. 3



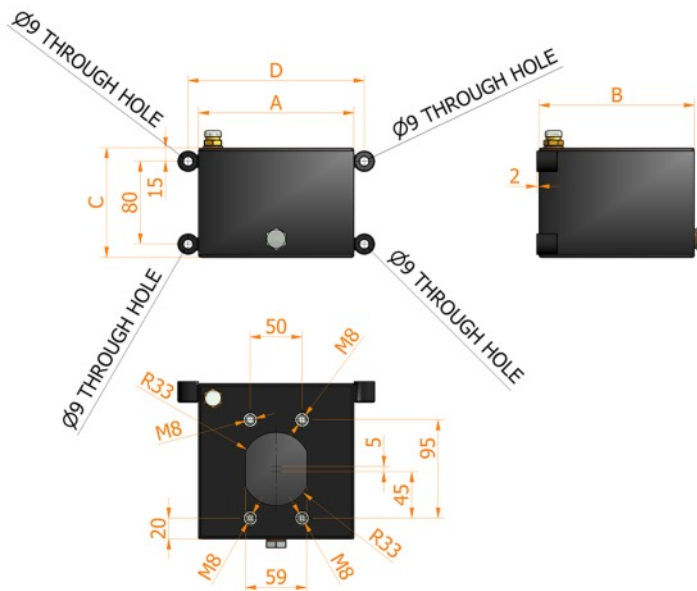
Specifications:

- Model S3 ac 150x150x156
- Suction pipe included
- Breather cap 1/4 G
- Release cap 1/4 G
- Standard colour black

CAPACITY liters	A mm	B mm	C mm	D mm	MASS KG	SUCTION PIPE	CODE
3	150	150	156	170	3,000	Ø10x120 mm	6500.0152

STEEL OIL TANK

painted steel oil tank for hand pumps
lt. 5



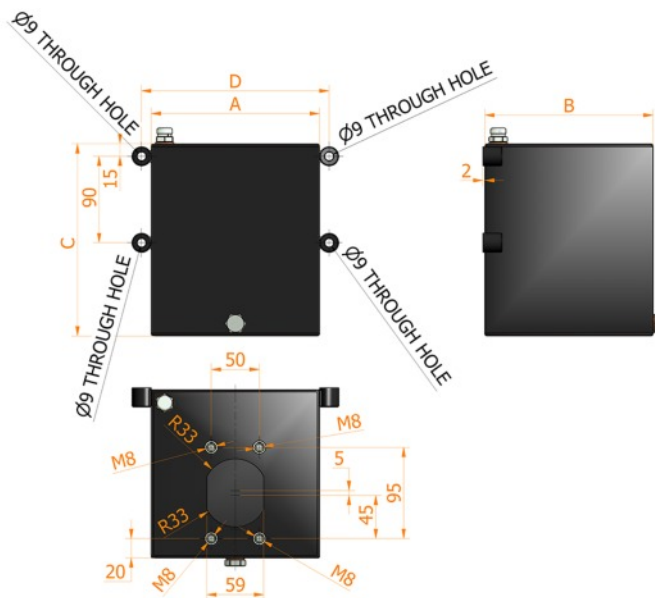
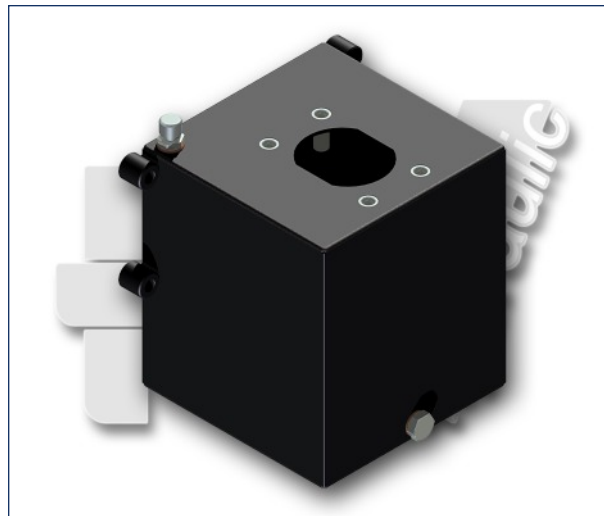
Specifications:

- Model S5 ac 150x150x245
- Suction pipe included
- Breather cap 1/4 G
- Release cap 1/4 G
- Standard colour black

CAPACITY liters	A mm	B mm	C mm	D mm	MASS KG	SUCTION PIPE	CODE
5	150	150	245	170	3,100	Ø10x200 mm	6500.0153

STEEL OIL TANK

Painted steel oil tank for hand pumps
lt. 5



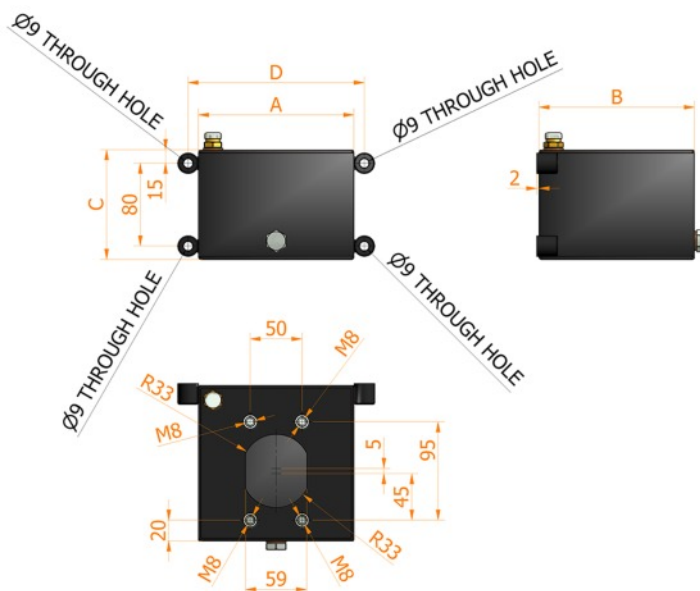
Specifications:

- Model S5 ac 175x175x200
- Suction pipe included
- Breather cap 1/4 G
- Release cap 1/4 G
- Standard colour black

CAPACITY liters	A mm	B mm	C mm	D mm	MASS KG	SUCTION PIPE	CODE
5	175	175	200	195	5,300	Ø10x156 mm	6500.0143

STEEL OIL TANK

Painted steel oil tank for hand pumps
lt. 7



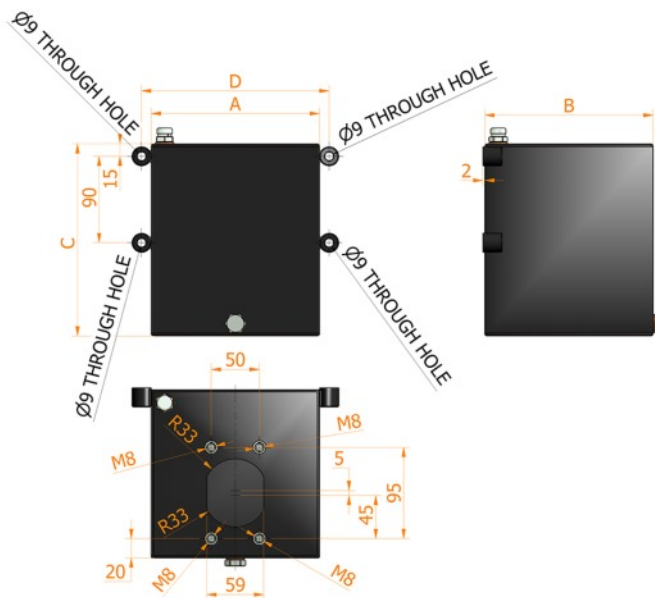
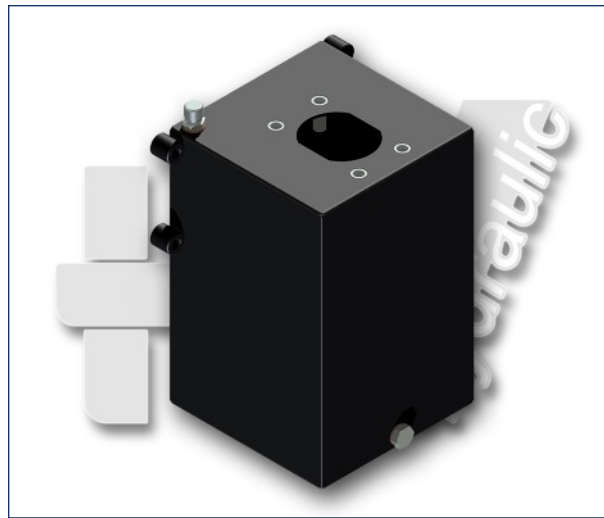
Specifications:

- Model S7 ac 150x150x340
- Suction pipe included
- Breather cap 1/4 G
- Release cap 1/4 G
- Standard colour black

CAPACITY liters	A mm	B mm	C mm	D mm	MASS KG	SUCTION PIPE	CODE
7	150	150	340	170	5,300	Ø10x280 mm	6500.0154

STEEL OIL TANK

Painted steel oil tank for hand pumps
lt. 7



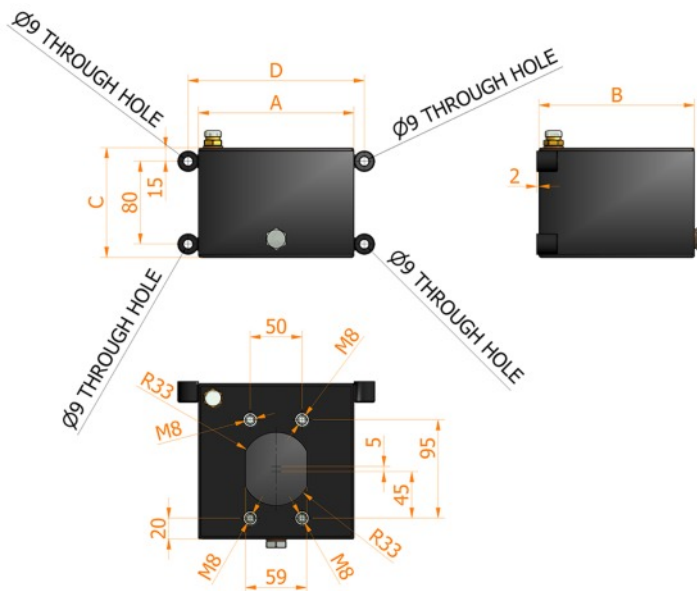
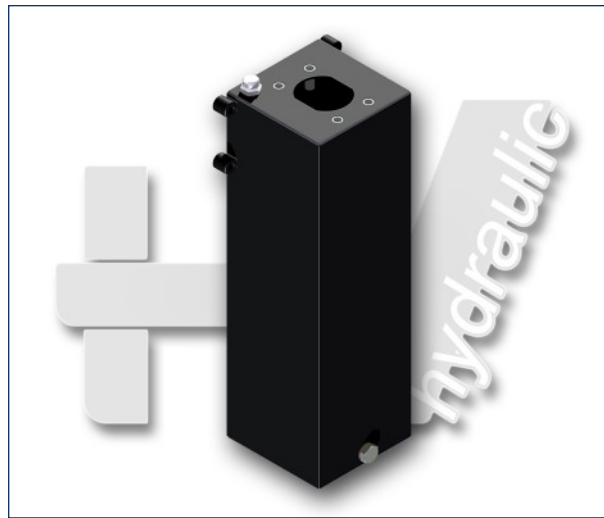
Specifications:

- Model S7 ac 175x175x275
- Suction pipe included
- Breather cap 1/4 G
- Release cap 1/4 G
- Standard colour black

CAPACITY liters	A mm	B mm	C mm	D mm	MASS KG	SUCTION PIPE	CODE
7	175	175	275	195	6,600	Ø10x215 mm	6500.0144

STEEL OIL TANK

Painted steel oil tank for hand pumps
lt. 10



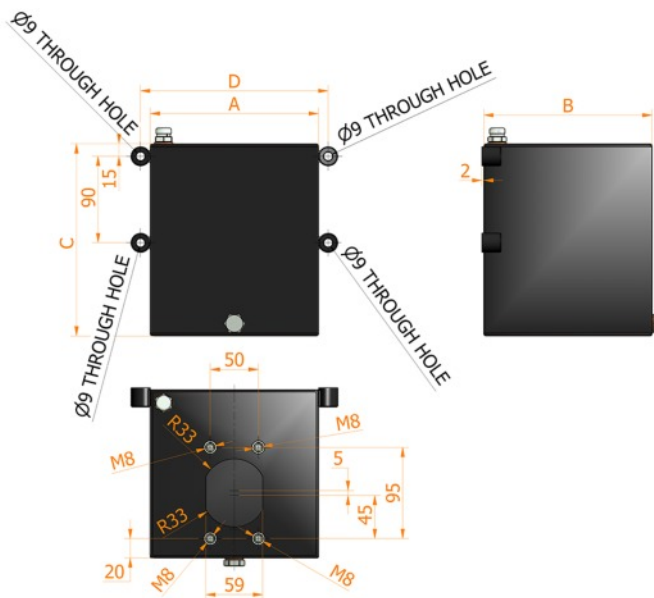
Specifications:

- Model S10 ac 150x150x485
- Suction pipe included
- Breather cap 1/4 G
- Release cap 1/4 G
- Standard colour black

CAPACITY liters	A mm	B mm	C mm	D mm	MASS KG	SUCTION PIPE	CODE
10	150	150	485	170	7,100	Ø10x245 mm	6500.0155

STEEL OIL TANK

Painted steel oil tank for hand pumps
lt. 10



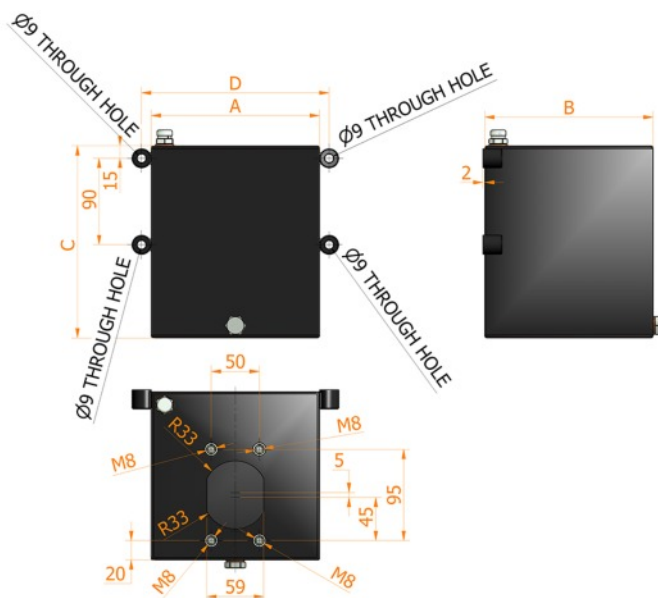
Specifications:

- Model S10 ac 175x175x380
- Suction pipe included
- Breather cap 1/4 G
- Release cap 1/4 G
- Standard colour black

CAPACITY liters	A mm	B mm	C mm	D mm	MASS KG	SUCTION PIPE	CODE
10	175	175	380	195	8,300	Ø10x325 mm	6500.0145

STEEL OIL TANK

Painted steel oil tank for hand pumps
lt. 13



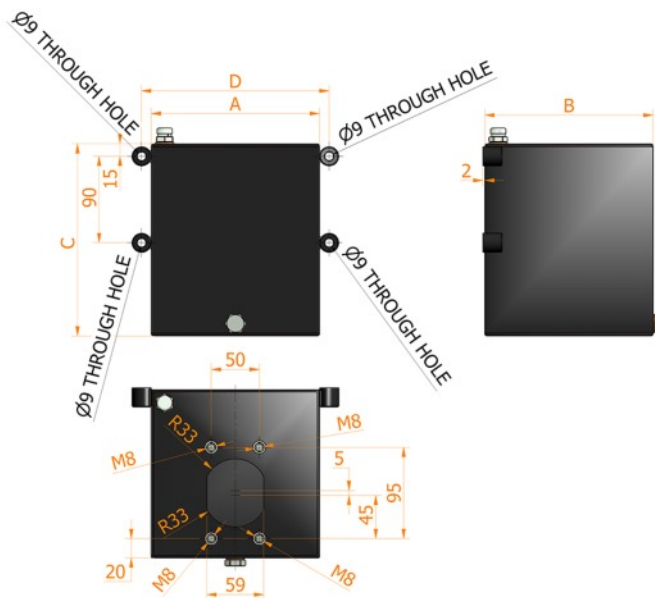
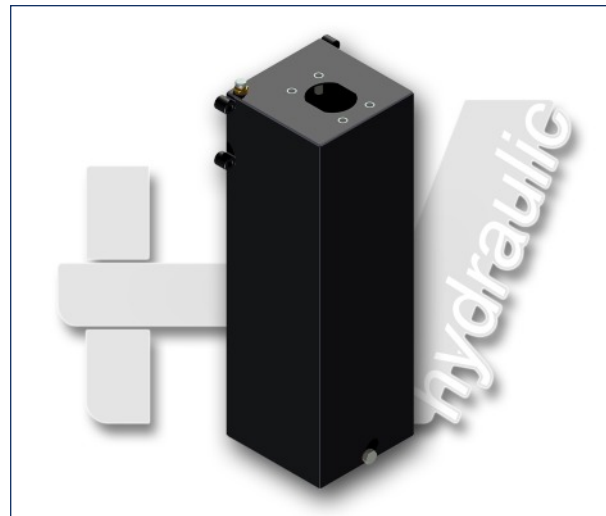
Specifications:

- Model S13 ac 175x175x485
- Suction pipe included
- Breather cap 1/4 G
- Release cap 1/4 G
- Standard colour black

CAPACITY liters	A mm	B mm	C mm	D mm	MASS KG	SUCTION PIPE	CODE
13	175	175	485	195	10,750	Ø10x425 mm	6500.0147

STEEL OIL TANK

Painted steel oil tank for hand pumps
lt. 15



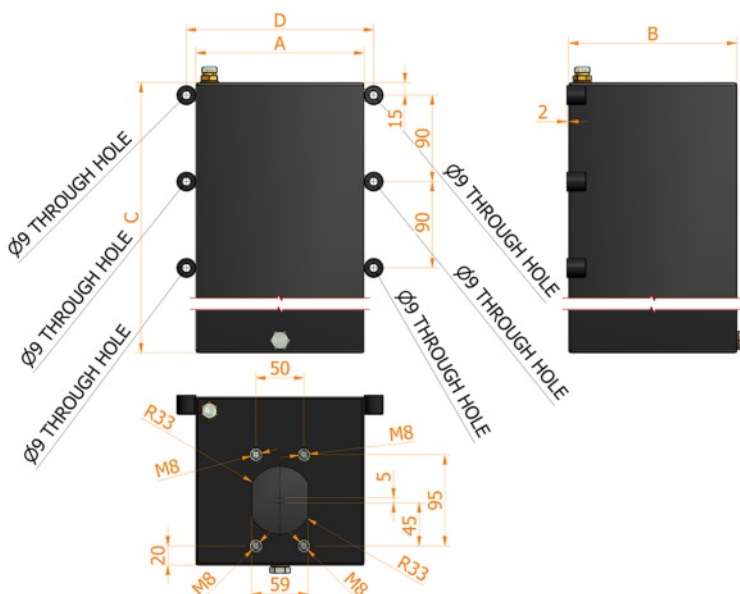
Specifications:

- Model S15 ac 175x175x600
- Suction pipe included
- Breather cap 1/4 G
- Release cap 1/4 G
- Standard colour black

CAPACITY liters	A mm	B mm	C mm	D mm	MASS KG	SUCTION PIPE	CODE
15	175	175	600	195	12,100	Ø10x540	6500.0148

STEEL OIL TANK

Painted steel oil tank for hand pumps
lt. 20



Specifications:

- Model S20 ac 175x175x780
- Suction pipe included
- Breather cap 1/4 G
- Release cap 1/4 G
- Standard colour black

CAPACITY liters	A mm	B mm	C mm	D mm	MASS KG	SUCTION PIPE	CODE
20	175	175	780	195	16,000	Ø10x720 mm	6500.0149