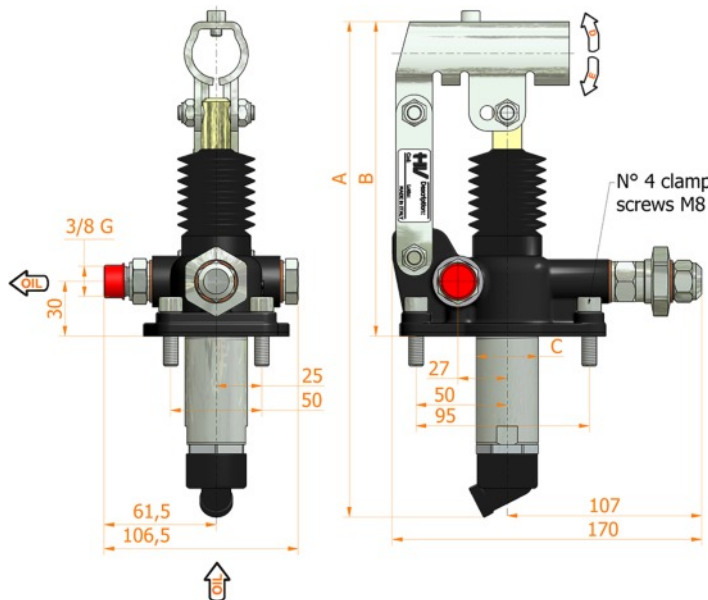
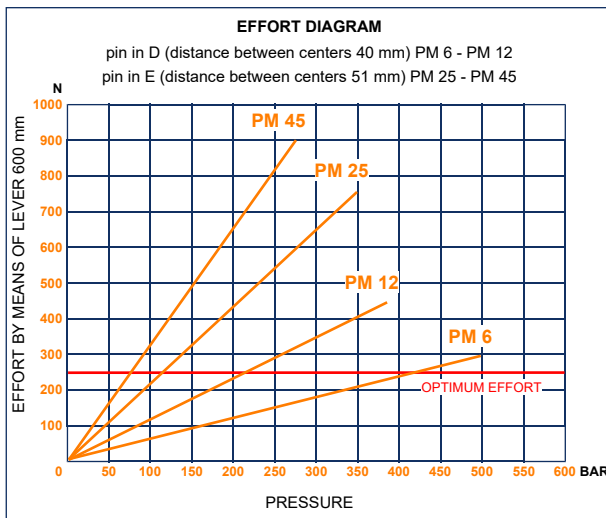
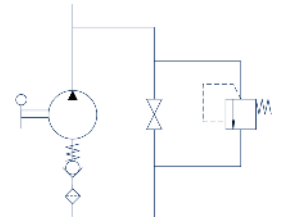




PM 6-12-25-45 byC-s

with release lever
with pressure relief valve
double acting hand pump for single acting cylinder
for fixing to tank



Specifications:

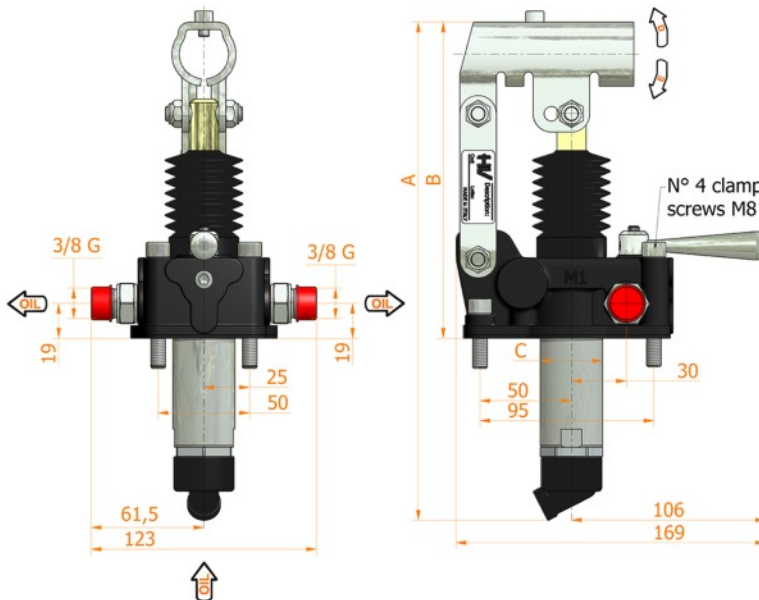
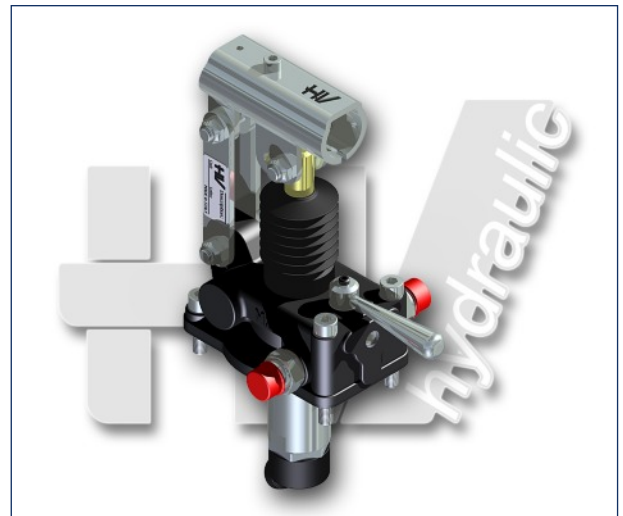
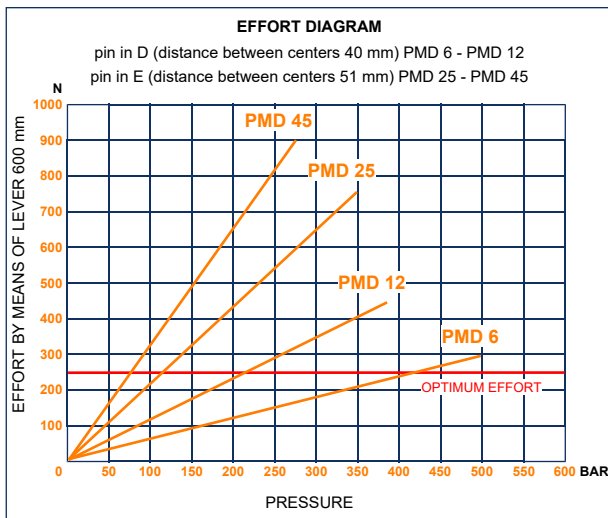
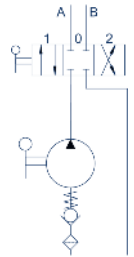
- Cast iron body
- Piston treated with Niploy
- White zinc plated support lever
- Lever connection Ø 27
- White zinc plated external parts
- Standard colour black
- Oil tank mounting kit included
- Pressure relief valve standard setting: 100 bar

DISPLACEMENT cm ³	A mm	B mm	C mm	D °	E °	ACTUAL DISPLACEMENT cm ³	PRESSURE BAR		MASS KG	CODE WITHOUT BELLOWS	CODE WITH BELLOWS
							OPTIMAL	MAX			
6	253	166	34	26	31	6,970	420	500	2,900	6049.0143	6049.0144
12	253	166	34	26	31	12,095	220	380	2,900	6050.0143	6050.0144
25	273	172	34	30	30	25,280	120	350	2,950	6051.0143	6051.0144
45	283	172	40	45	33	44,532	80	280	3,000	6052.0143	6052.0144



PMD 6-12-25-45 s

with 4/3 flow divider closed centre
double acting hand pump for a double acting cylinder
for fixing to tank



Specifications:

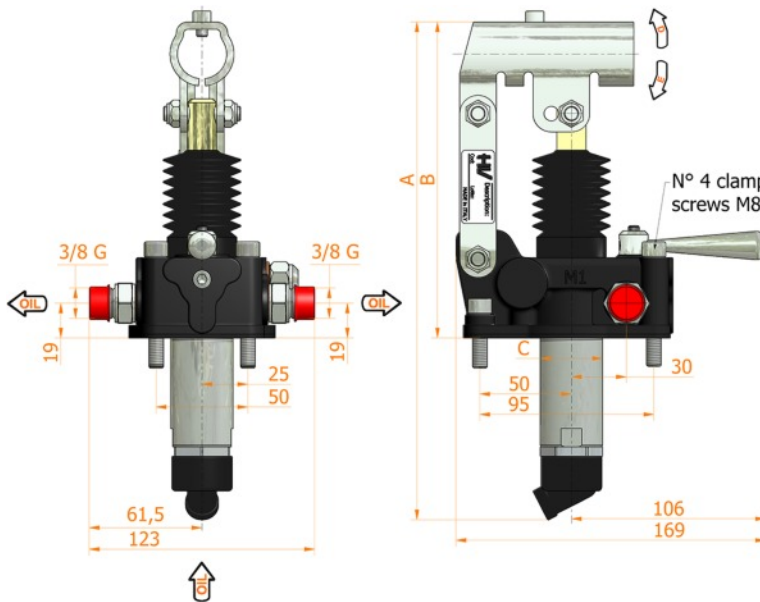
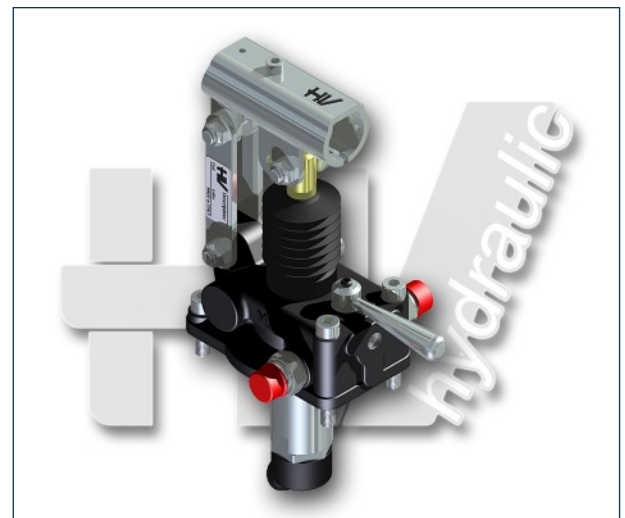
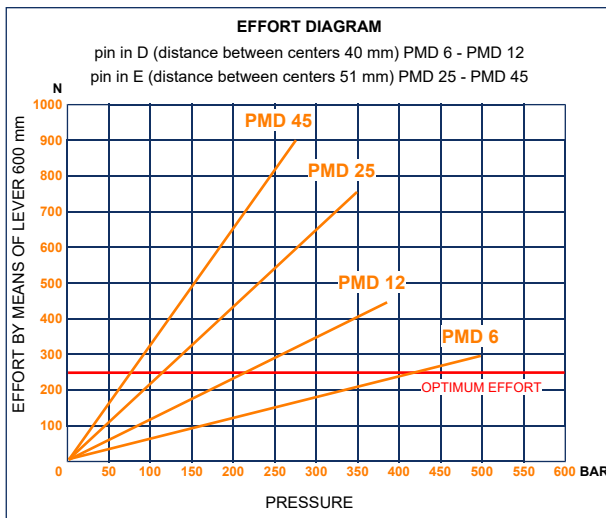
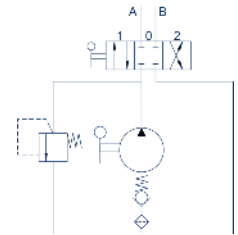
- Cast iron body
- Piston treated with Niploy
- White zinc plated support lever
- Lever connection Ø 27
- White zinc plated external parts
- Standard colour black
- Oil tank mounting kit included

DISPLACEMENT cm ³	A mm	B mm	C mm	D °	E °	ACTUAL DISPLACEMENT cm ³	PRESSURE BAR		MASS KG	CODE WITHOUT BELLOWS	CODE WITH BELLOWS
							OPTIMAL	MAX			
6	253	166	34	26	31	6,970	420	500	3,400	6054.0018	6054.0045
12	253	166	34	26	31	12,095	220	380	3,400	6055.0018	6055.0045
25	273	172	34	30	30	25,280	120	350	3,450	6056.0018	6056.0045
45	283	172	40	45	33	44,532	80	280	3,500	6057.0018	6057.0045



PMD 6-12-25-45 byB-s

with 4/3 flow divider closed centre
with pressure relief valve
double acting hand pump for a double acting cylinder
for fixing to tank



Specifications:

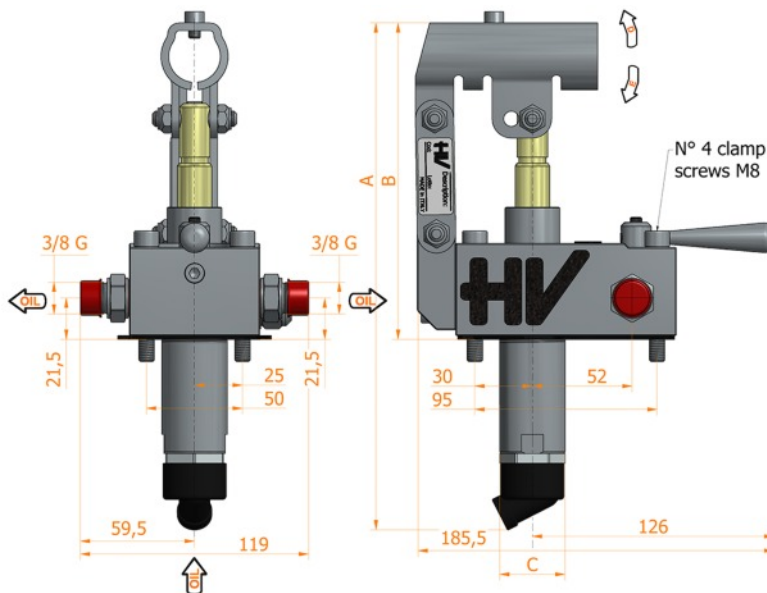
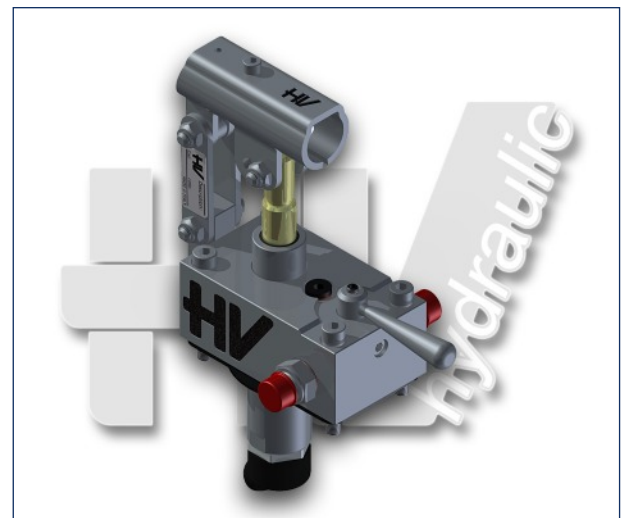
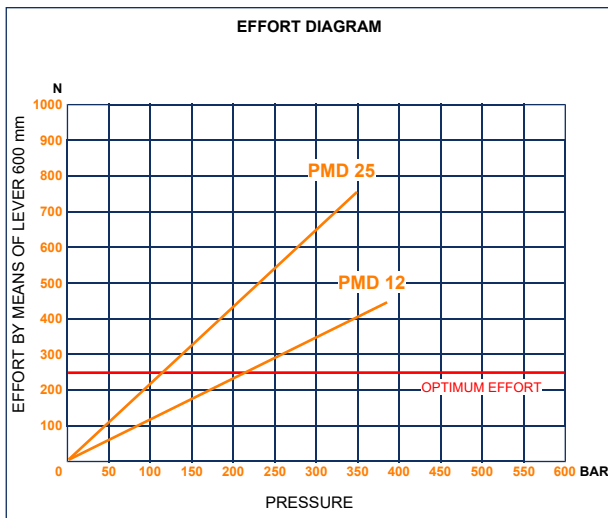
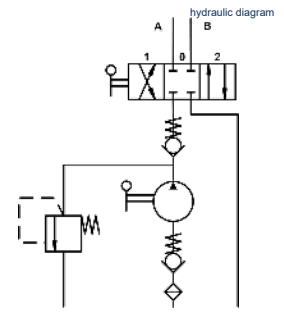
- Cast iron body
- Piston treated with Niploy
- White zinc plated support lever
- Lever connection Ø 27
- White zinc plated external parts
- Standard colour black
- Oil tank mounting kit included
- Pressure relief valve standard setting: 100 bar

DISPLACEMENT cm ³	A mm	B mm	C mm	D °	E °	ACTUAL DISPLACEMENT cm ³	PRESSURE BAR		MASS KG	CODE WITHOUT BELLOWS	CODE WITH BELLOWS
							OPTIMAL	MAX			
6	253	166	34	26	31	6,970	420	500	3,400	6054.0019	6054.0046
12	253	166	34	26	31	12,095	220	380	3,400	6055.0019	6055.0046
25	273	172	34	30	30	25,280	120	350	3,450	6056.0019	6056.0046
45	283	172	40	45	33	44,532	80	280	3,500	6057.0019	6057.0046



PMD 12-25 byB

with 4/3 flow divider closed centre
with pressure relief valve
double acting hand pump for a double acting cylinder
for fixing to tank



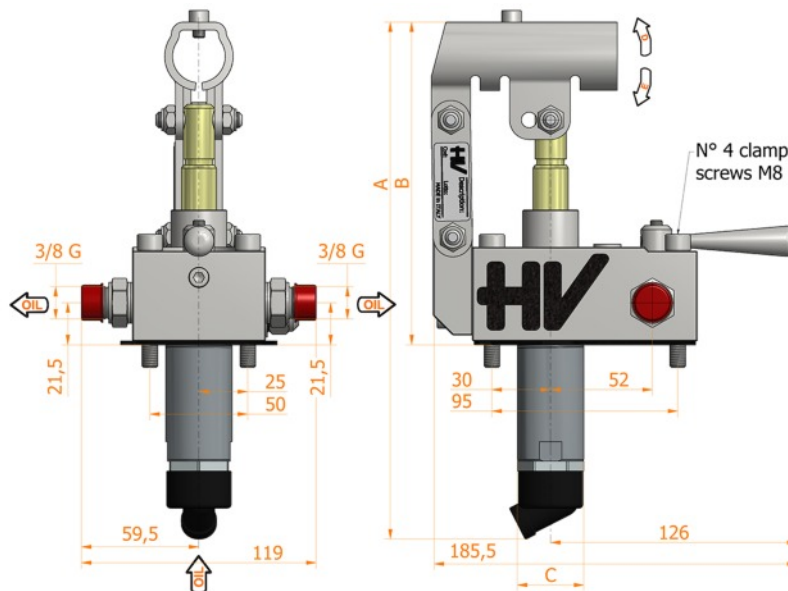
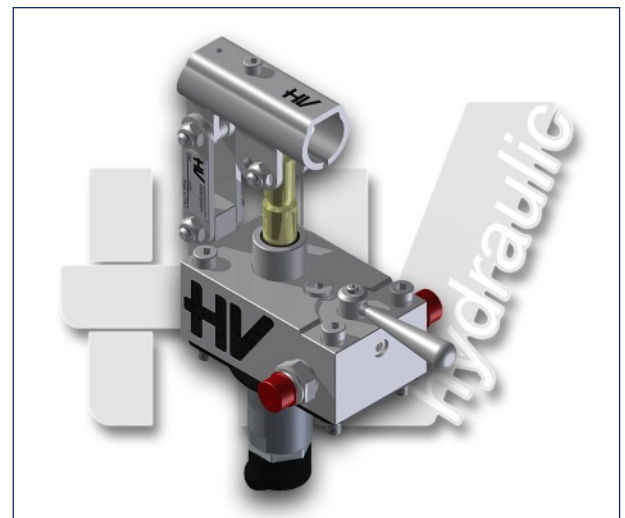
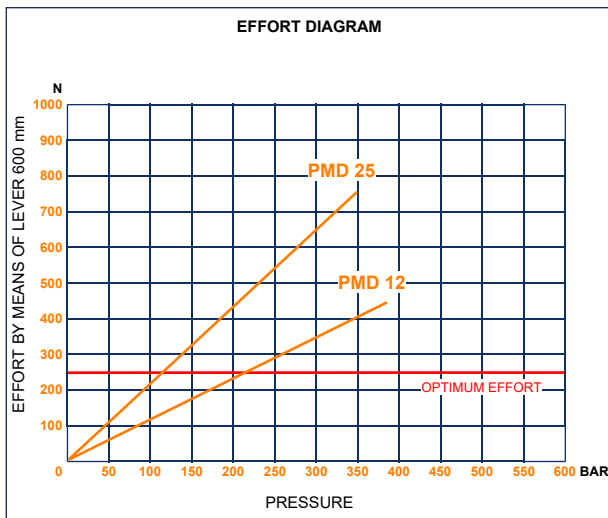
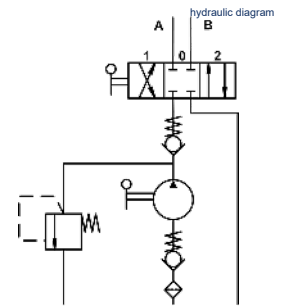
- Specifications:**
- White zinc plated pump body
 - Piston protection with Niploy
 - White zinc plated support lever
 - Lever connection Ø 27
 - White zinc plated external parts
 - Oil tank mounting kit including
 - Pressure relief valve standard setting: 100 bar
 - Triple sealing system made to prevent any oil leakage and sweating onto the piston rod

DISPLACEMENT cm ³	A mm	B mm	C mm	D °	E °	ACTUAL DISPLACEMENT cm ³	PRESSURE BAR		MASS KG	CODE	CODE WITH BELLOWS
							OPTIMAL	MAX			
12	253	166	34	26	31	12,095	220	380	4,200	6055.5000	
25	273	172	34	30	30	25,280	120	350	4,200	6056.5000	



PMD 12-25 byB-AISI-316

with 4/3 flow divider closed centre
with pressure relief valve
double acting hand pump for a double acting cylinder
for fixing to tank



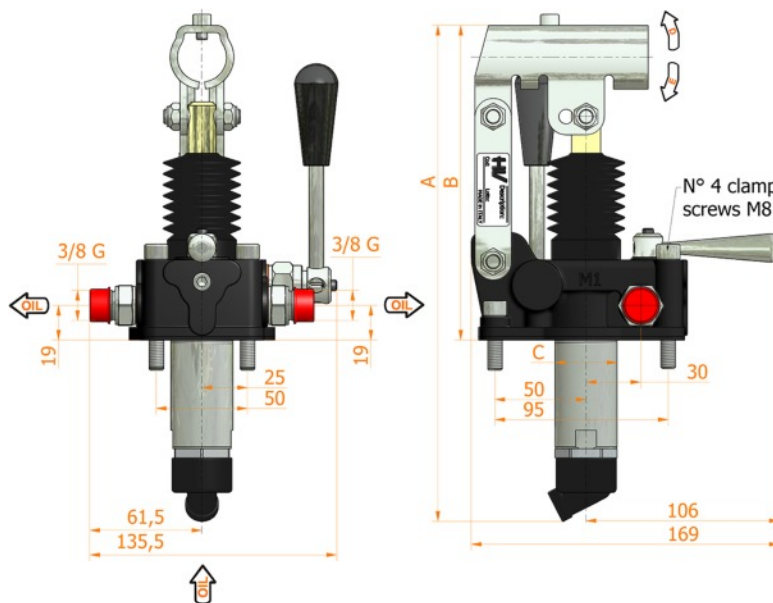
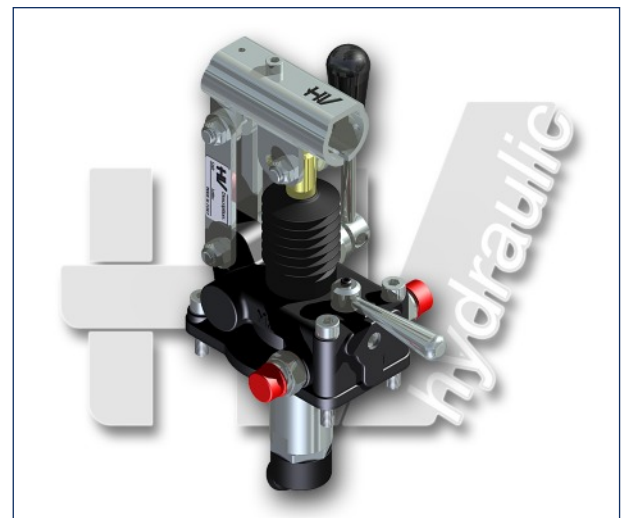
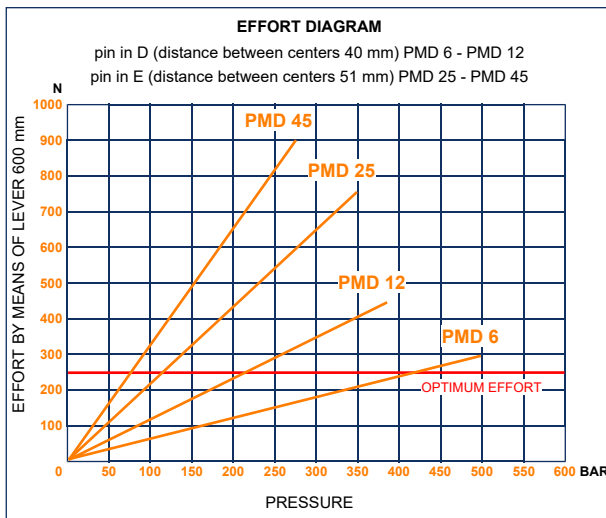
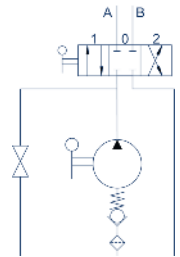
- Specifications:**
- Stainless steel AISI 316 pump body
 - Stainless steel AISI 630 piston rod with Niploy coating (50 µm)
 - Lever connection Ø 27
 - Stainless steel AISI 316 external parts
 - Oil tank mounting kit including
 - Pressure relief valve standard setting: 100 bar
 - Triple sealing system made to prevent any oil leakage and sweating onto the piston rod

DISPLACEMENT cm ³	A mm	B mm	C mm	D °	E °	ACTUAL DISPLACEMENT cm ³	PRESSURE BAR		MASS KG	CODE	CODE WITH BELLOWS
							OPTIMAL	MAX			
12	253	166	34	26	31	12,095	220	380	4,400	6055.7000	
25	273	172	34	30	30	25,280	120	350	4,400	6056.7000	



PMD 6-12-25-45 L-s

with 4/3 flow divider
with release lever
double acting hand pump for a double acting cylinder
for fixing to tank



Specifications:

- Cast iron body
- Piston treated with Niploy
- White zinc plated support lever
- Lever connection Ø 27
- White zinc plated external parts
- Standard colour black
- Oil tank mounting kit included

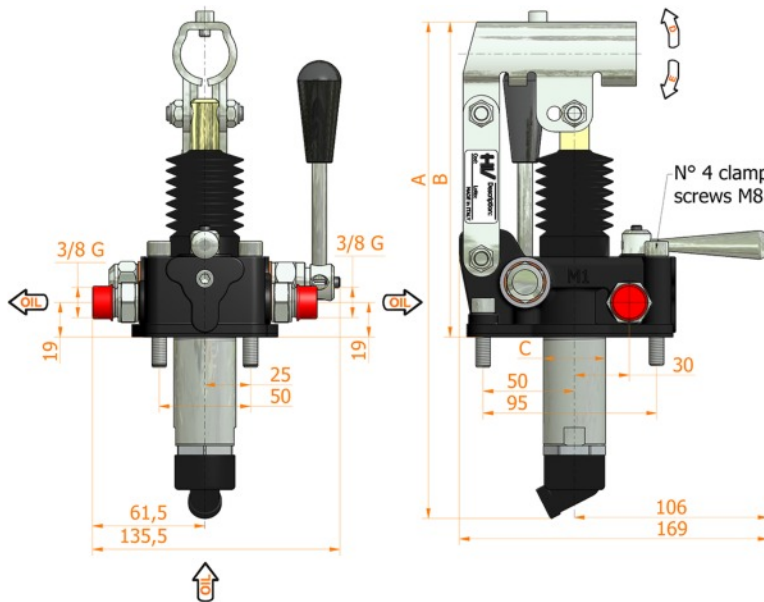
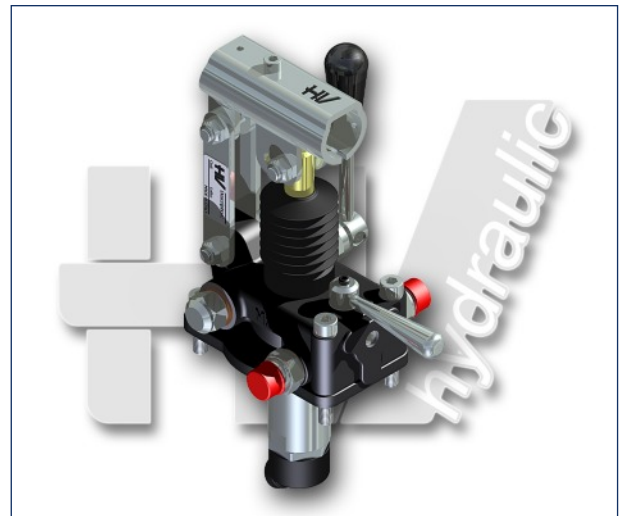
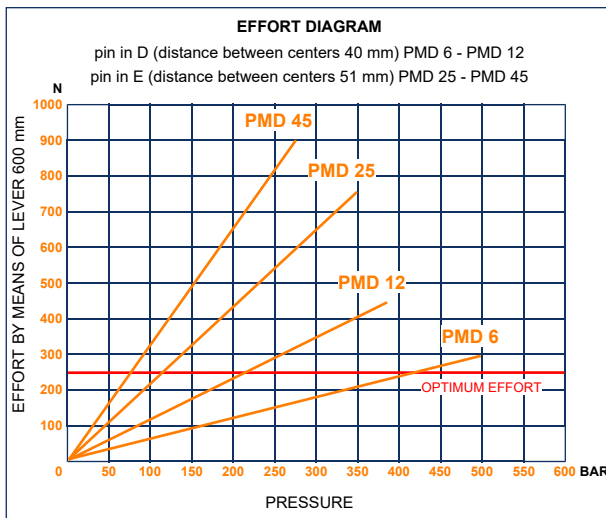
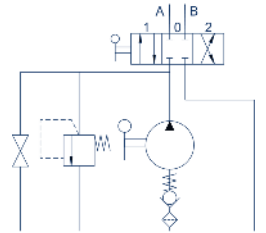
DISPLACEMENT cm ³	A mm	B mm	C mm	D °	E °	ACTUAL DISPLACEMENT cm ³	PRESSURE BAR		MASS KG	CODE WITHOUT BELLOWS	CODE WITH BELLOWS
							OPTIMAL	MAX			
6	253	166	34	26	31	6,970	420	500	3,400	6054.0020	6054.0047
12	253	166	34	26	31	12,095	220	380	3,400	6055.0020	6055.0047
25	273	172	34	30	30	25,280	120	350	3,450	6056.0020	6056.0047
45	283	172	40	45	33	44,532	80	280	3,500	6057.0020	6057.0047

HV Hydraulic S.r.l.



PMD 6-12-25-45 byA-L-s

with 4/3 flow divider closed centre
with release lever
with pressure relief valve
double acting hand pump for a double acting cylinder
for fixing to tank



Specifications:

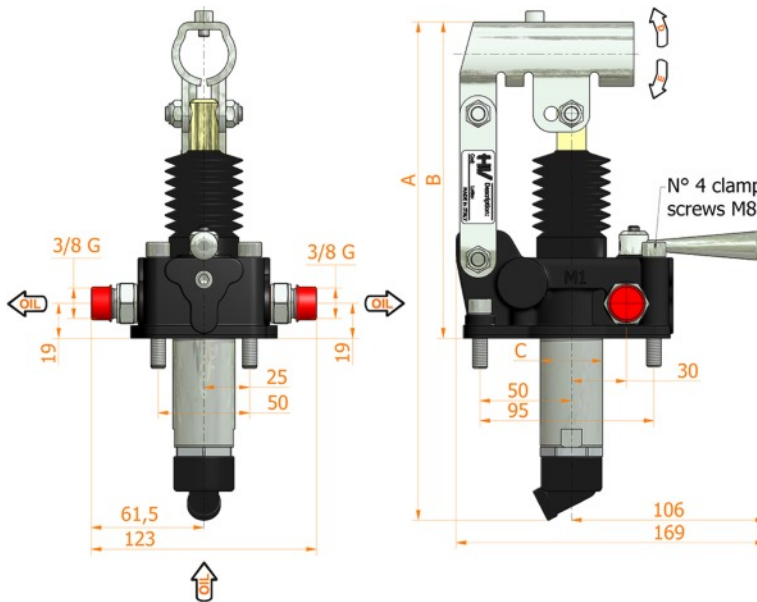
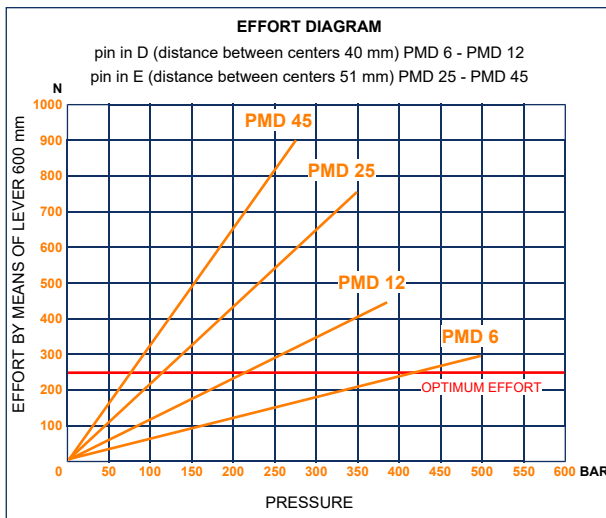
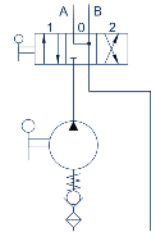
- Cast iron body
- Piston treated with Niploy
- White zinc plated support lever
- Lever connection Ø 27
- White zinc plated external parts
- Standard colour black
- Oil tank mounting kit included
- Pressure relief valve standard setting: 100 bar

DISPLACEMENT cm ³	A mm	B mm	C mm	D °	E °	ACTUAL DISPLACEMENT cm ³	PRESSURE BAR		MASS KG	CODE WITHOUT BELLOWS	CODE WITH BELLOWS
							OPTIMAL	MAX			
6	253	166	34	26	31	6,970	420	500	3,400	6054.0021	6054.0048
12	253	166	34	26	31	12,095	220	380	3,400	6055.0021	6055.0048
25	273	172	34	30	30	25,280	120	350	3,450	6056.0021	6056.0048
45	283	172	40	45	33	44,532	80	280	3,500	6057.0021	6057.0048



PMD 6-12-25-45 dna-s

with 4/3 flow divider open centre
double acting hand pump for a double acting cylinder
for fixing to tank



Specifications:

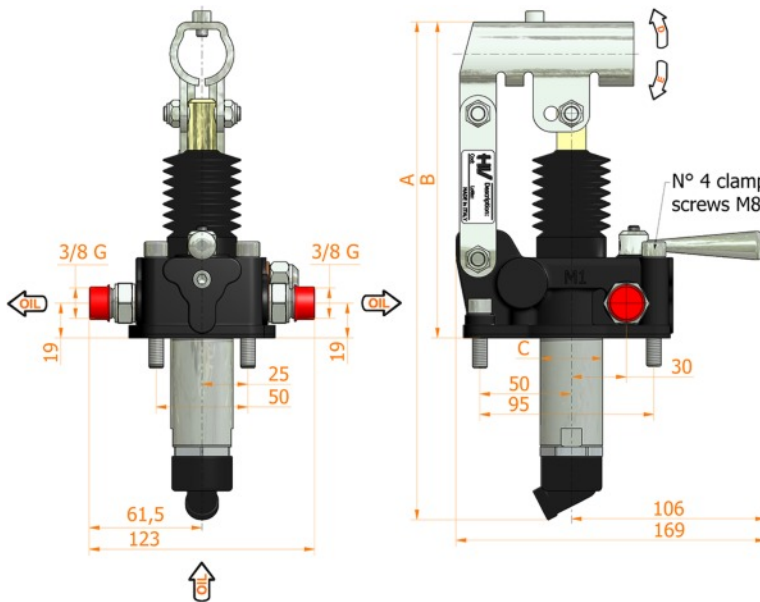
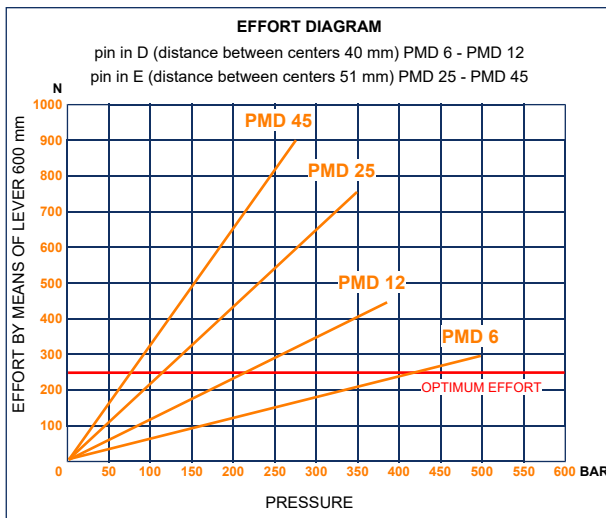
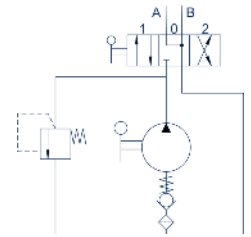
- Cast iron body
- Piston treated with Niploy
- White zinc plated support lever
- Lever connection Ø 27
- White zinc plated external parts
- Standard colour black
- Oil tank mounting kit included

DISPLACEMENT cm ³	A mm	B mm	C mm	D °	E °	ACTUAL DISPLACEMENT cm ³	PRESSURE BAR		MASS KG	CODE WITHOUT BELLOWS	CODE WITH BELLOWS
							OPTIMAL	MAX			
6	253	166	34	26	31	6,970	420	500	3,400	6054.0023	6054.0050
12	253	166	34	26	31	12,095	220	380	3,400	6055.0023	6055.0050
25	273	172	34	30	30	25,280	120	350	3,450	6056.0023	6056.0050
45	283	172	40	45	33	44,532	80	280	3,500	6057.0023	6057.0050



PMD 6-12-25-45 dna-byB-s

with 4/3 flow divider open centre
with pressure relief valve
double acting hand pump for a double acting cylinder
for fixing to tank



Specifications:

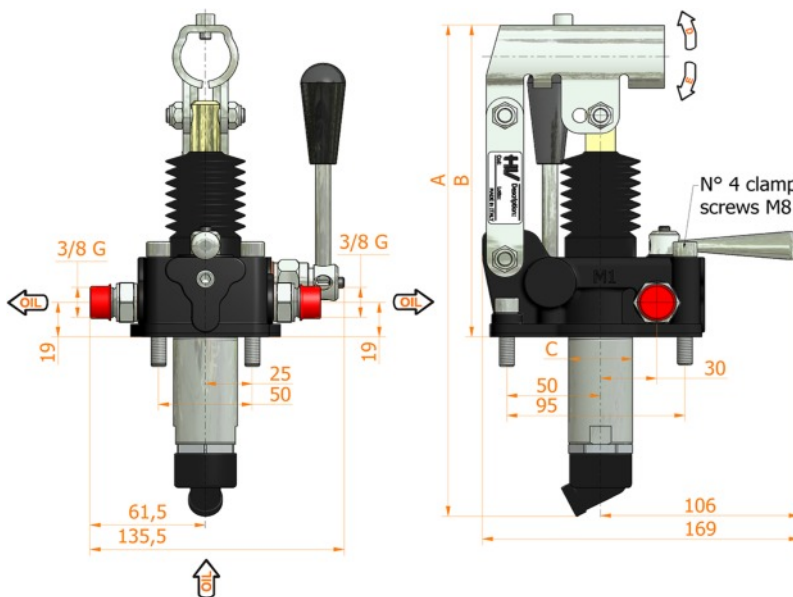
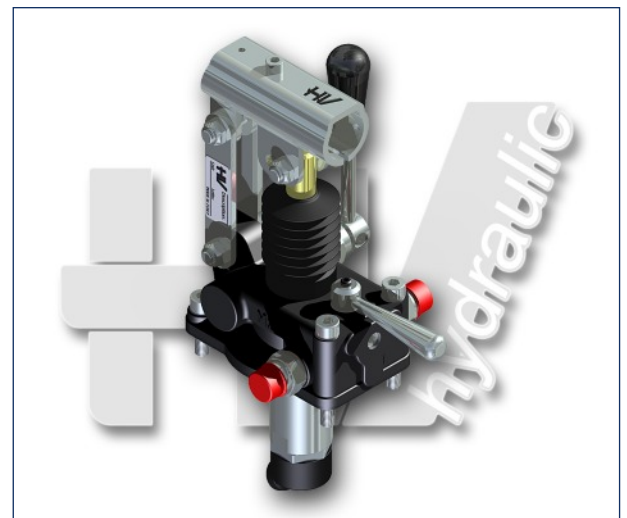
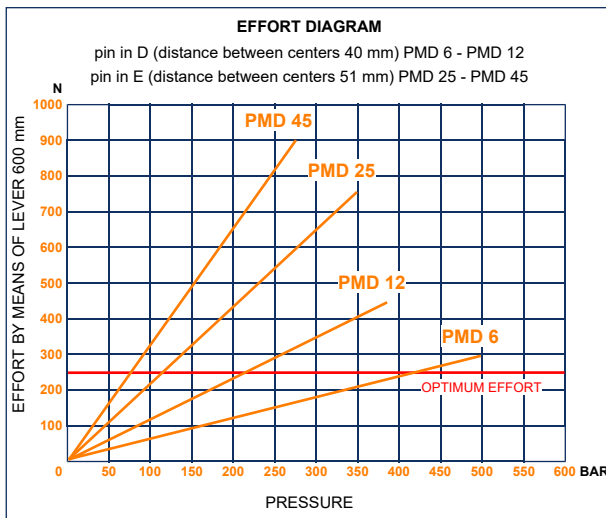
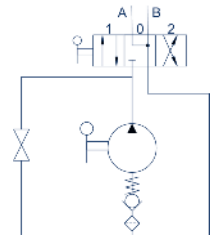
- Cast iron body
- Piston treated with Niploy
- White zinc plated support lever
- Lever connection Ø 27
- White zinc plated external parts
- Standard colour black
- Oil tank mounting kit included
- Pressure relief valve standard setting: 100 bar

DISPLACEMENT cm ³	A mm	B mm	C mm	D °	E °	ACTUAL DISPLACEMENT cm ³	PRESSURE BAR		MASS KG	CODE WITHOUT BELLOWS	CODE WITH BELLOWS
							OPTIMAL	MAX			
6	253	166	34	26	31	6,970	420	500	3,400	6054.0024	6054.0051
12	253	166	34	26	31	12,095	220	380	3,400	6055.0024	6055.0051
25	273	172	34	30	30	25,280	120	350	3,450	6056.0024	6056.0051
45	283	172	40	45	33	44,532	80	280	3,500	6057.0024	6057.0051



PMD 6-12-25-45 dna-L-s

with 4/3 flow divider open centre
with release lever
double acting hand pump for a double acting cylinder
for fixing to tank



Specifications:

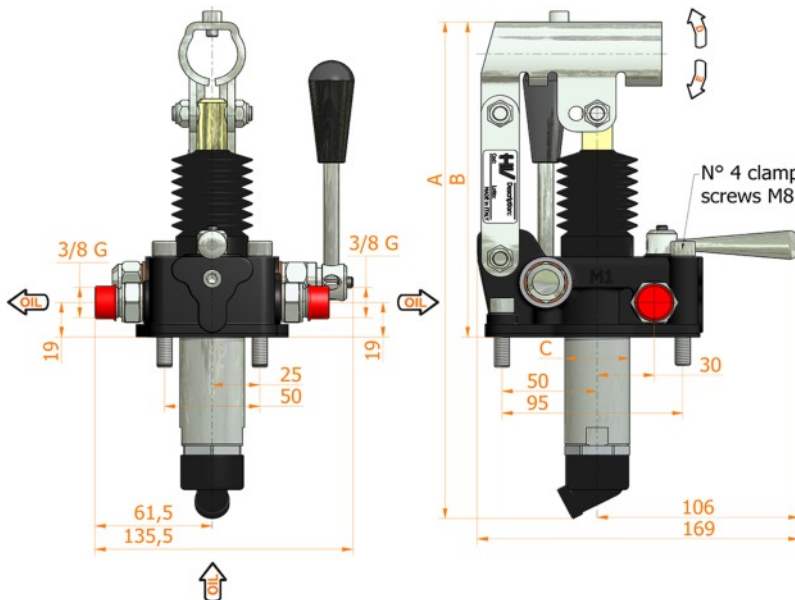
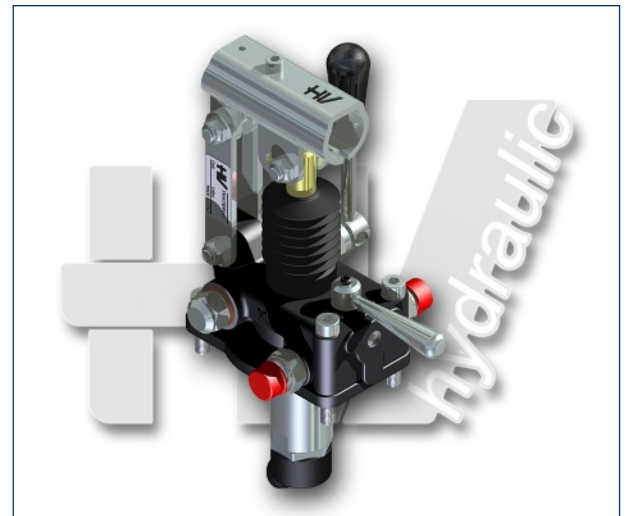
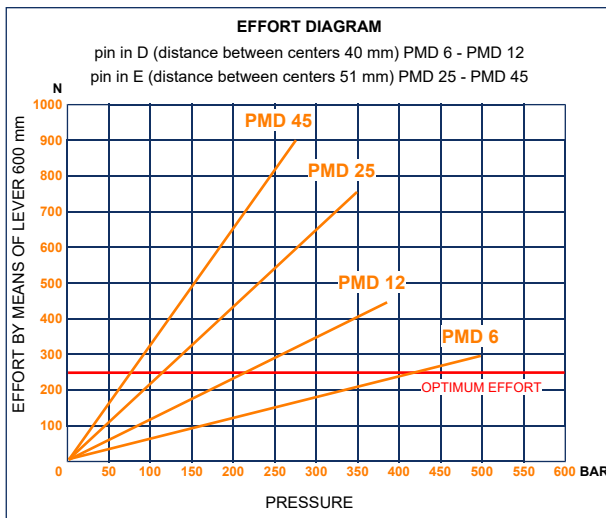
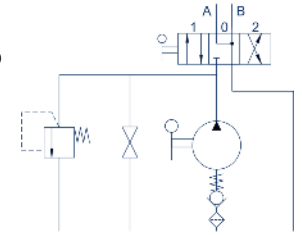
- Cast iron body
- Piston treated with Niploy
- White zinc plated support lever
- Lever connection Ø 27
- White zinc plated external parts
- Standard colour black
- Oil tank mounting kit included

DISPLACEMENT cm ³	A mm	B mm	C mm	D °	E °	ACTUAL DISPLACEMENT cm ³	PRESSURE BAR		MASS KG	CODE WITHOUT BELLOWS	CODE WITH BELLOWS
							OPTIMAL	MAX			
6	253	166	34	26	31	6,970	420	500	3,400	6054.0025	6054.0052
12	253	166	34	26	31	12,095	220	380	3,400	6055.0025	6055.0052
25	273	172	34	30	30	25,280	120	350	3,450	6056.0025	6056.0052
45	283	172	40	45	33	44,532	80	280	3,500	6057.0025	6057.0052

HV Hydraulic S.r.l.

PMD 6-12-25-45 dna-byA-L-s

with 4/3 flow divider open centre
with release lever
with pressure relief valve
double acting hand pump for a double acting cylinder
for fixing to tank



Specifications:

- Cast iron body
- Piston treated with Niploy
- White zinc plated support lever
- Lever connection Ø 27
- White zinc plated external parts
- Standard colour black
- Oil tank mounting kit included
- Pressure relief valve standard setting: 100 bar

DISPLACEMENT cm ³	A mm	B mm	C mm	D °	E °	ACTUAL DISPLACEMENT cm ³	PRESSURE BAR		MASS KG	CODE WITHOUT BELLOWS	CODE WITH BELLOWS
							OPTIMAL	MAX			
6	253	166	34	26	31	6,970	420	500	3,400	6054.0026	6054.0053
12	253	166	34	26	31	12,095	220	380	3,400	6055.0026	6055.0053
25	273	172	34	30	30	25,280	120	350	3,450	6056.0026	6056.0053
45	283	172	40	45	33	44,532	80	280	3,500	6057.0026	6057.0053