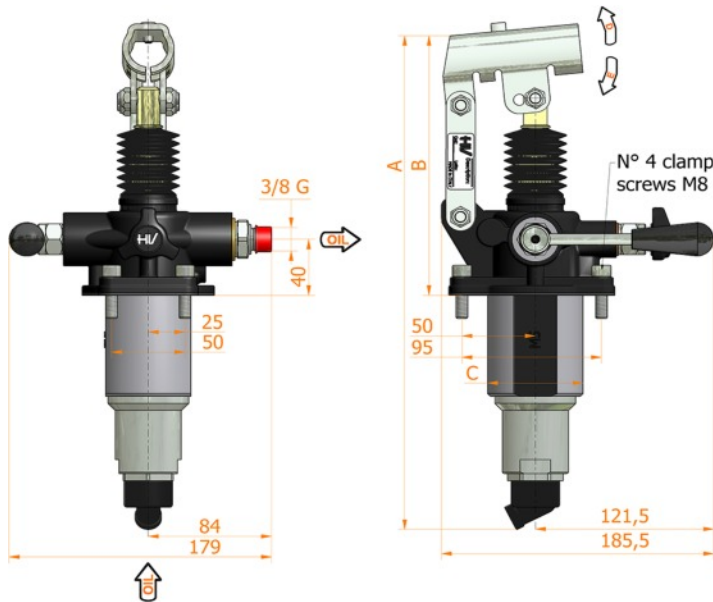
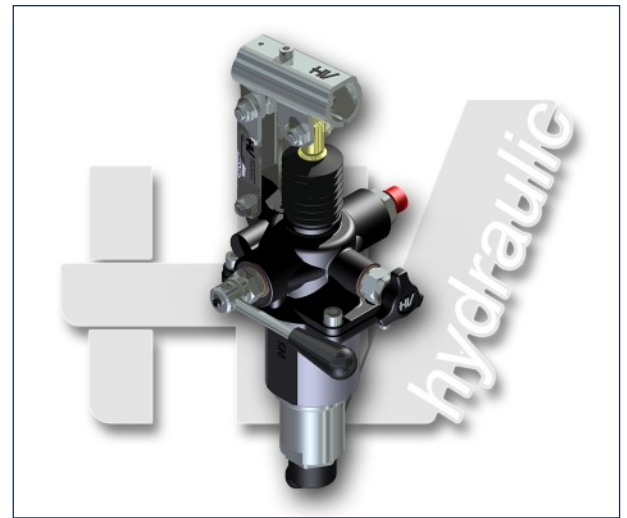
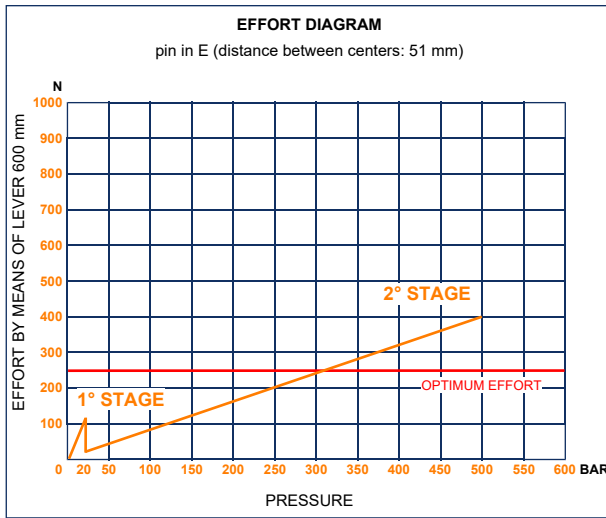
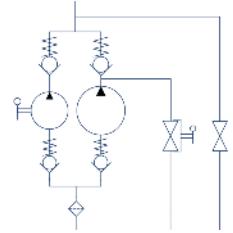




PM2V 5/80 Lm-s

with release hand knob
with exclusion lever for the 1st speed
two speed hand pump for a single acting cylinder
for fixing to tank



Specifications:

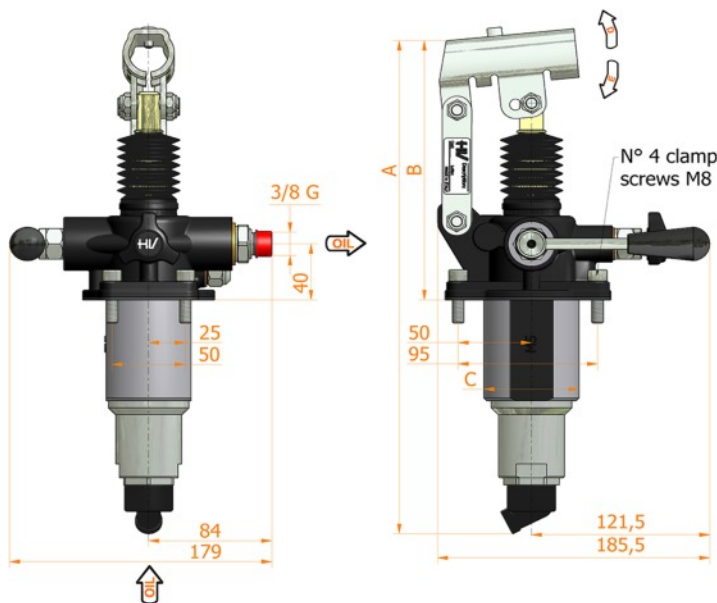
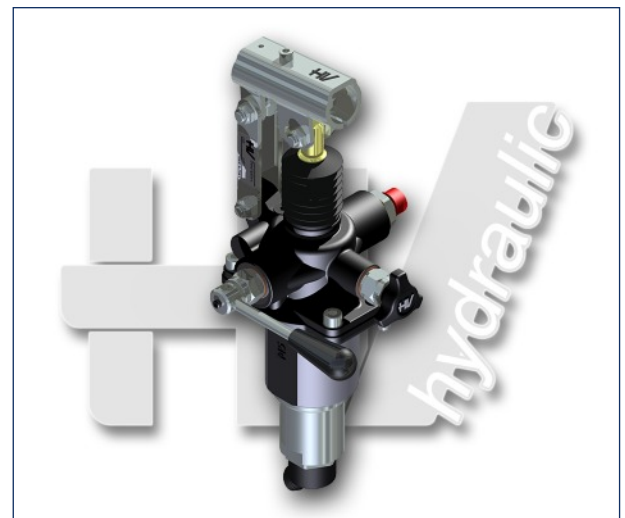
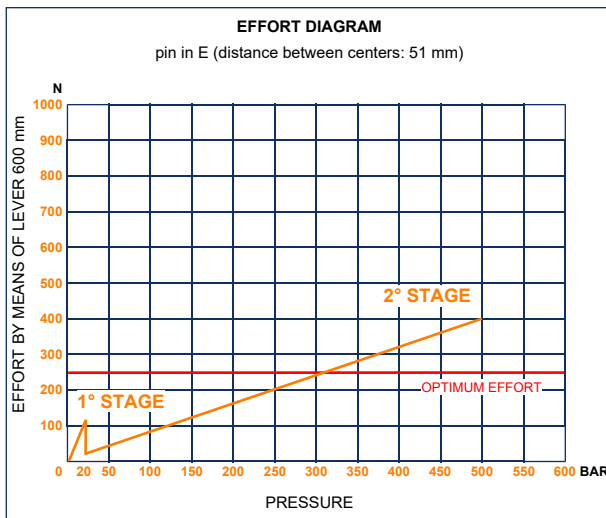
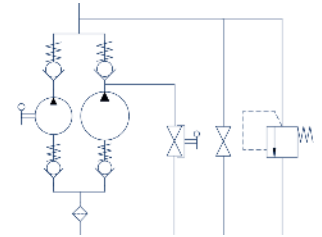
- Cast iron body
- Piston treated with Niploy
- White zinc plated support lever
- Lever connection Ø 27
- White zinc plated external parts
- Standard colour black
- Oil tank mounting kit included

DISPLACEMENT cm ³	A mm	B mm	C mm	D °	E °	DISPLACEMENT cm ³		PRESSURE BAR		MASS KG	CODE WITHOUT BELLOWS	CODE WITH BELLOWS
						STAGE 1	STAGE 2	STAGE 1	STAGE 2			
5-80	354	185	65	30	32	80,588	5,036	20	500	6,200	6071.0100	60710127



PM2V 5/80 Lm-byB-s

with release hand knob
 with exclusion lever for the 1st speed
 with pressure relief valve
 two speed hand pump for a single acting cylinder
 for fixing to tank



Specifications:

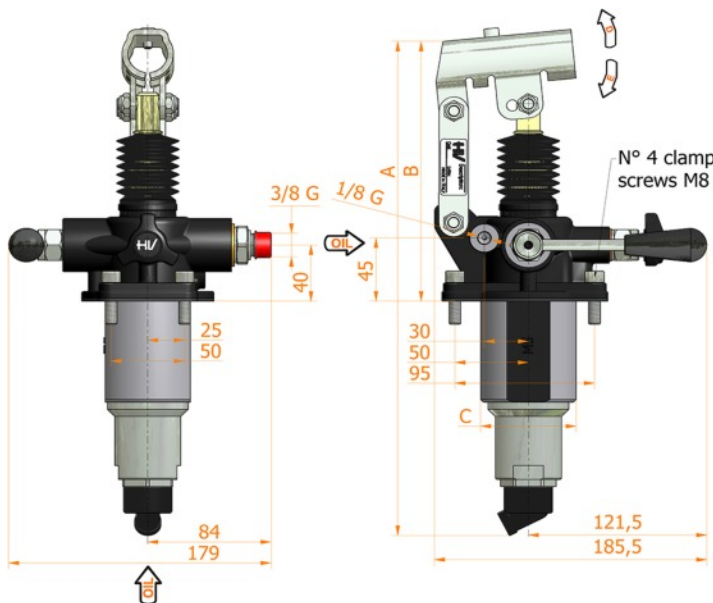
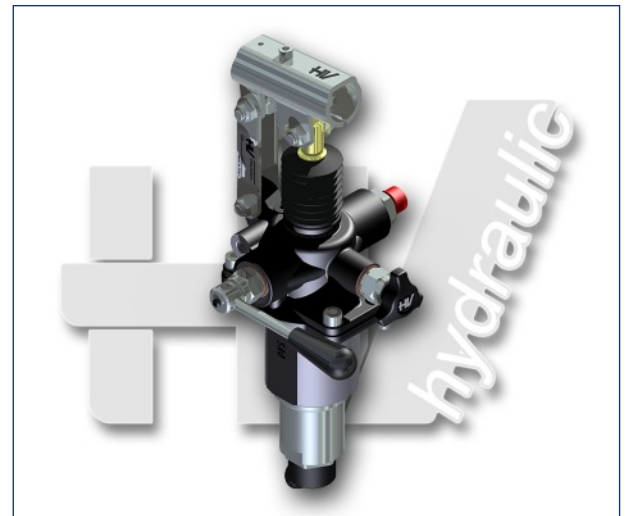
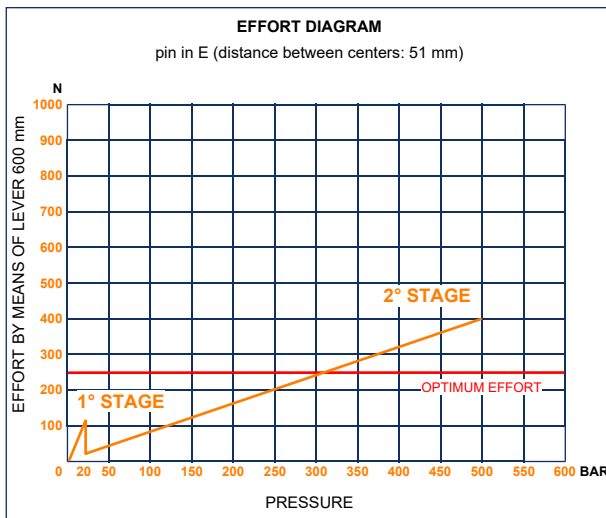
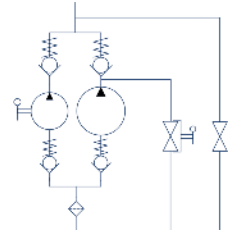
- Cast iron body
- Piston treated with Niploy
- White zinc plated support lever
- Lever connection Ø 27
- White zinc plated external parts
- Standard colour black
- Oil tank mounting kit included
- Pressure relief valve standard setting: 400 bar

DISPLACEMENT cm ³	A mm	B mm	C mm	D °	E °	DISPLACEMENT cm ³		PRESSURE BAR		MASS KG	CODE WITHOUT BELLOWS	CODE WITH BELLOWS
						STAGE 1	STAGE 2	STAGE 1	STAGE 2			
5-80	354	185	65	30	32	80,588	5,036	20	500	6,200	6071.0101	6071.0128



PM2V 5/80 Lm-pm-s

with release hand knob
 with exclusion lever for the 1st speed
 with pressure-gauge prearrangement
 two speed hand pump for a single acting cylinder
 for fixing to tank



Specifications:

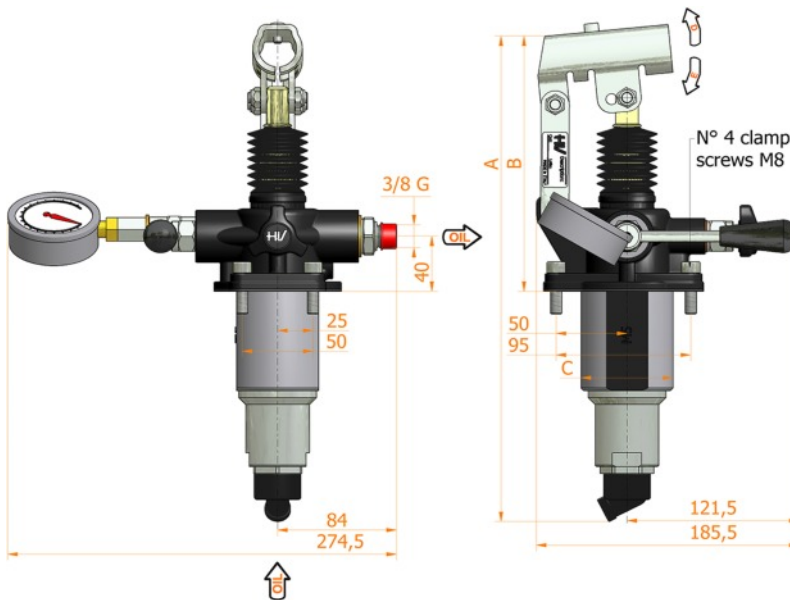
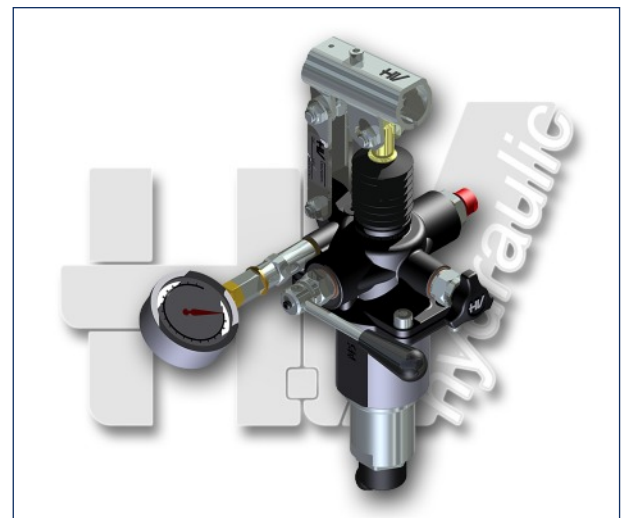
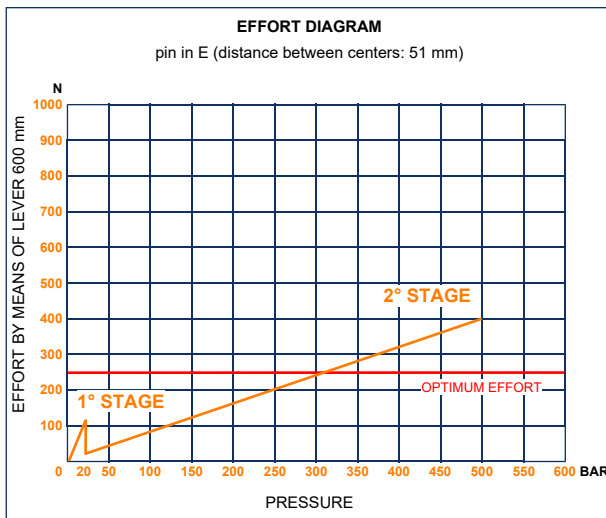
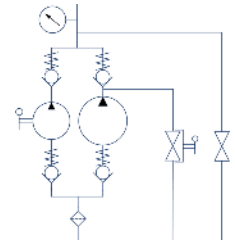
- Cast iron body
- Piston treated with Niploy
- White zinc plated support lever
- Lever connection Ø 27
- White zinc plated external parts
- Standard colour black
- Oil tank mounting kit included
- With pressure-gauge prearrangement, connection: 1/4 G

DISPLACEMENT cm ³	A mm	B mm	C mm	D °	E °	DISPLACEMENT cm ³		PRESSURE BAR		MASS KG	CODE WITHOUT BELLOWS	CODE WITH BELLOWS
						STAGE 1	STAGE 2	STAGE 1	STAGE 2			
5-80	354	185	65	30	32	80,588	5,036	20	500	6,200	60710102	6071.0129



PM2V 5/80 Lm-M-s

with release hand knob
 with exclusion lever for the 1st speed
 with pressure-gauge
 two speed hand pump for a single acting cylinder
 for fixing to tank



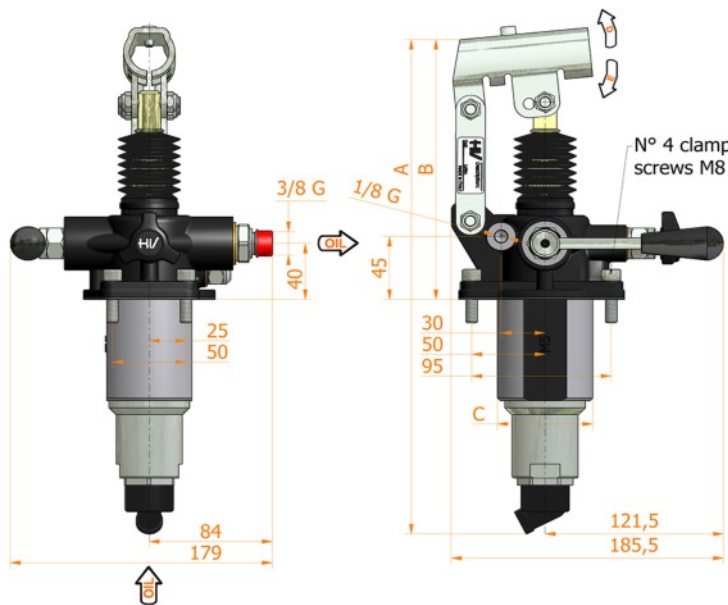
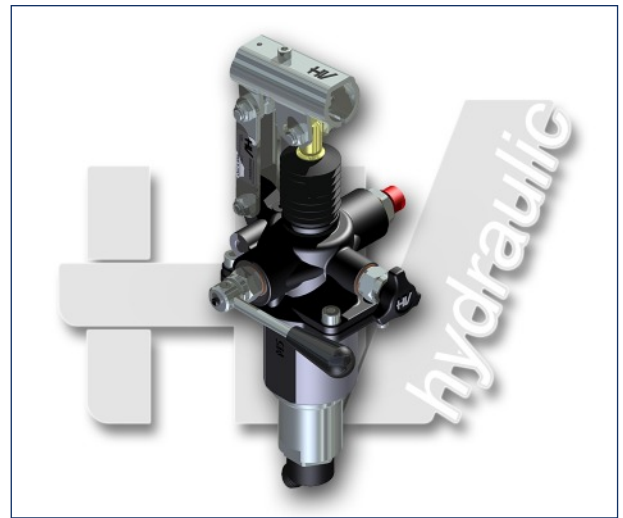
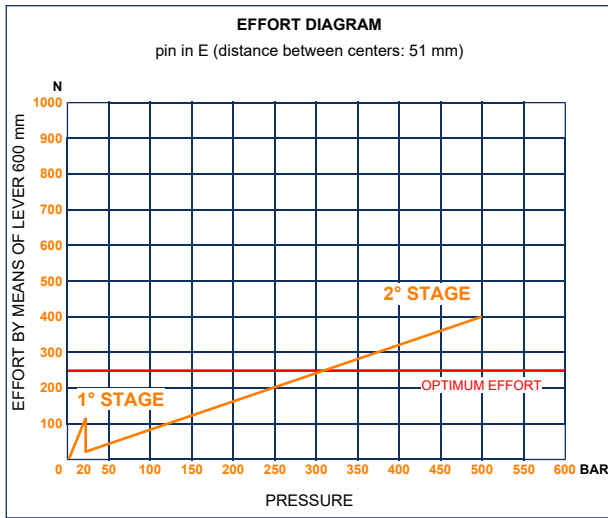
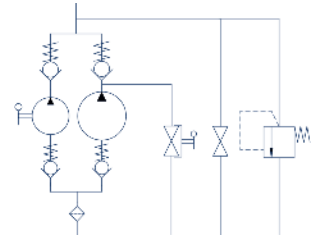
- Specifications:**
- Cast iron body
 - Piston treated with Niploy
 - White zinc plated support lever
 - Lever connection Ø 27
 - White zinc plated external parts
 - Standard colour black
 - Oil tank mounting kit included

DISPLACEMENT cm ³	A mm	B mm	C mm	D °	E °	DISPLACEMENT cm ³		PRESSURE BAR		MASS KG	CODE WITHOUT BELLOWS	CODE WITH BELLOWS
						STAGE 1	STAGE 2	STAGE 1	STAGE 2			
5-80	354	185	65	30	32	80,588	5,036	20	500	6,200	6071.0103	6071.0130



PM2V 5/80 Lm-byB-pm-s

with release hand knob
 with exclusion lever for the 1st speed
 with pressure relief valve and pressure-gauge prearrangement
 two speed hand pump for a single acting cylinder
 for fixing to tank



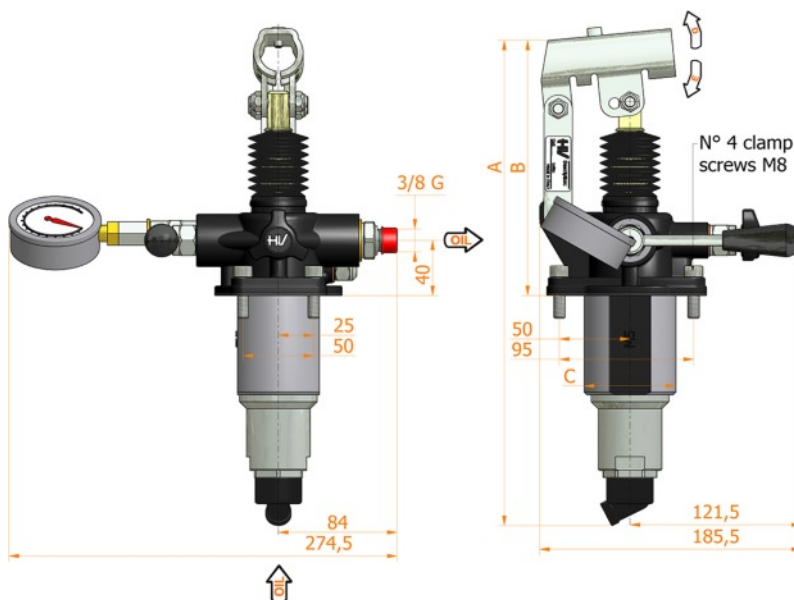
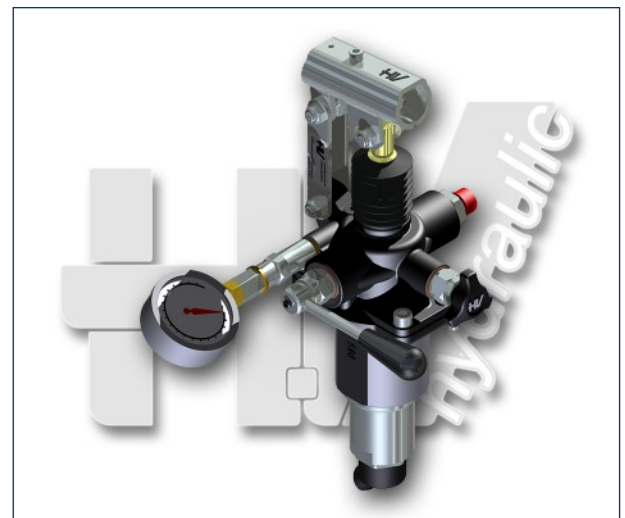
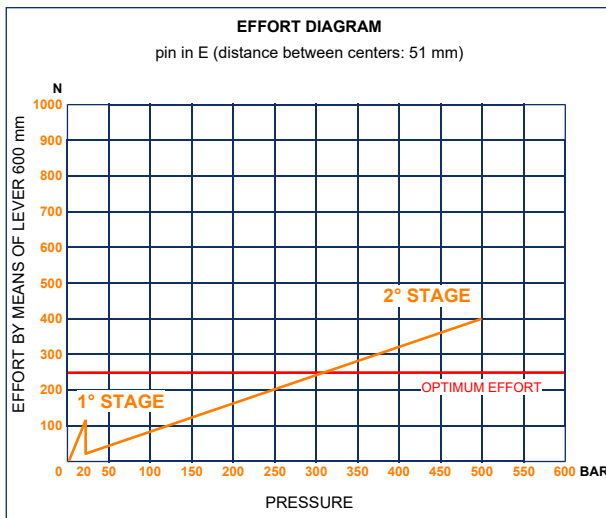
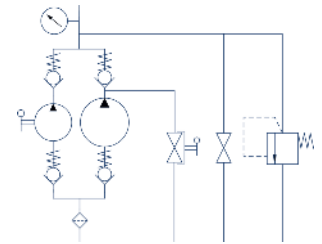
- Specifications:**
- Cast iron body
 - Piston treated with Niploy
 - White zinc plated support lever
 - Lever connection Ø 27
 - White zinc plated external parts
 - Standard colour black
 - Oil tank mounting kit included
 - Pressure relief valve standard setting: 400 bar
 - With pressure-gauge prearrangement, connection: 1/4 G

DISPLACEMENT cm ³	A mm	B mm	C mm	D °	E °	DISPLACEMENT cm ³		PRESSURE BAR		MASS KG	CODE WITHOUT BELLOWS	CODE WITH BELLOWS
						STAGE 1	STAGE 2	STAGE 1	STAGE 2			
5-80	354	185	65	30	32	80,588	5,036	20	500	6,200	6071.0104	6071.0131



PM2V 5/80 Lm-byB-M-s

with release hand knob
 with exclusion lever for the 1st speed
 with pressure relief valve and pressure-gauge
 two speed hand pump for a single acting cylinder
 for fixing to tank



Specifications:

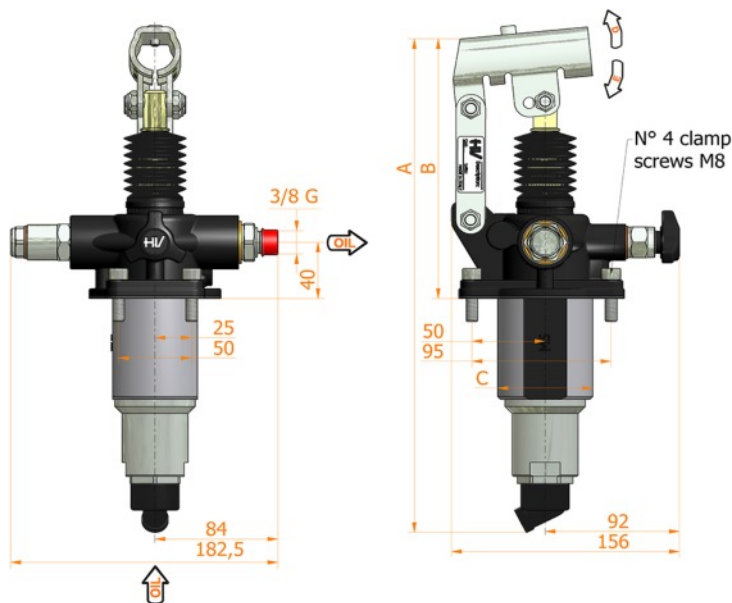
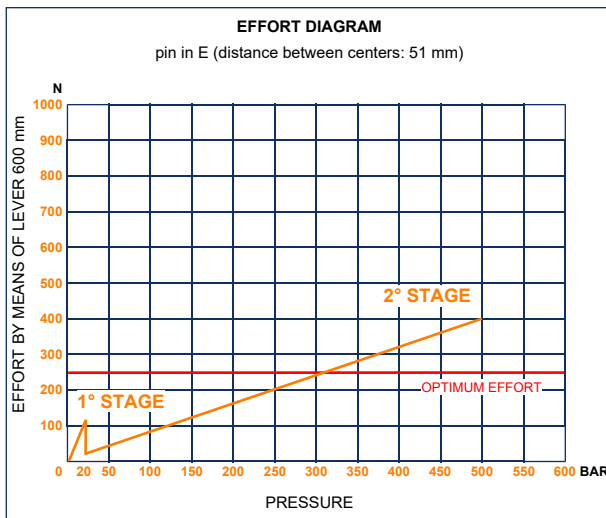
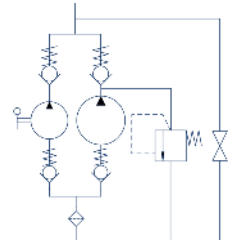
- Cast iron body
- Piston treated with Niploy
- White zinc plated support lever
- Lever connection Ø 27
- White zinc plated external parts
- Standard colour black
- Oil tank mounting kit included
- Pressure relief valve standard setting: 400 bar

DISPLACEMENT cm ³	A mm	B mm	C mm	D °	E °	DISPLACEMENT cm ³		PRESSURE BAR		MASS KG	CODE WITHOUT BELLOWS	CODE WITH BELLOWS
						STAGE 1	STAGE 2	STAGE 1	STAGE 2			
5-80	354	185	65	30	32	80,588	5,036	20	500	6,200	6071.0105	6071.0132



PM2V 5/80 a-s

with release hand knob
with automatic control for the 1st speed
two speed hand pump for a single acting cylinder
for fixing to tank



Specifications:

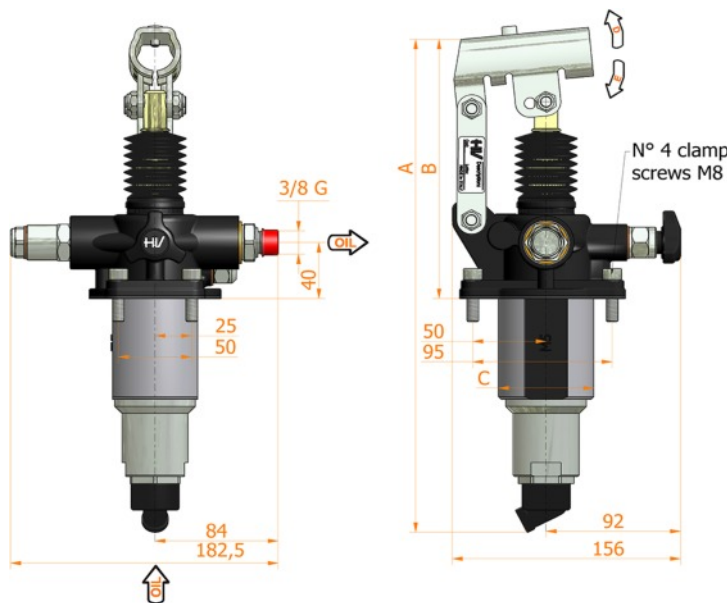
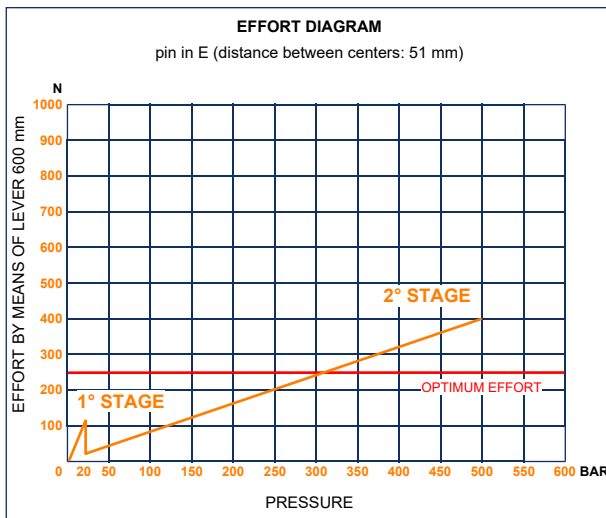
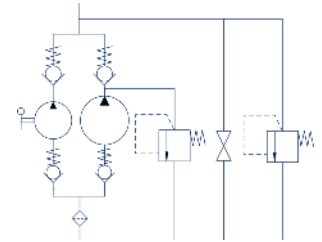
- Cast iron body
- Piston treated with Niploy
- White zinc plated support lever
- Lever connection Ø 27
- White zinc plated external parts
- Standard colour black
- Oil tank mounting kit included

DISPLACEMENT cm ³	A mm	B mm	C mm	D °	E °	DISPLACEMENT cm ³		PRESSURE BAR		MASS KG	CODE WITHOUT BELLOWS	CODE WITH BELLOWS
						STAGE 1	STAGE 2	STAGE 1	STAGE 2			
5-80	354	185	65	30	32	80,588	5,036	20	500	6,200	6071.0106	6071.0133



PM2V 5/80 a-byB-s

with release hand knob
 with automatic control for the 1st speed
 with pressure relief valve
 two speed hand pump for a single acting cylinder
 for fixing to tank



Specifications:

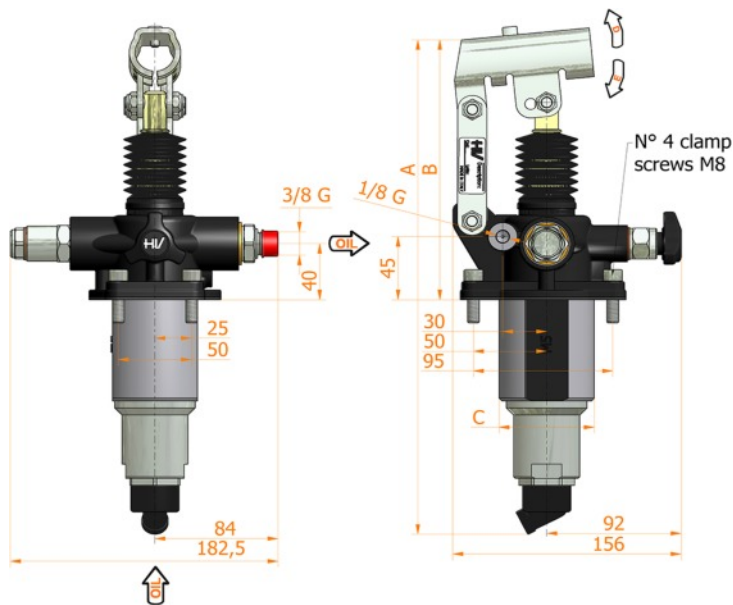
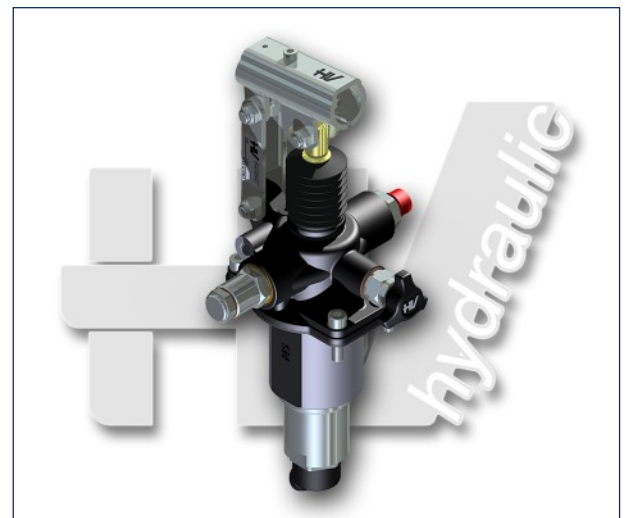
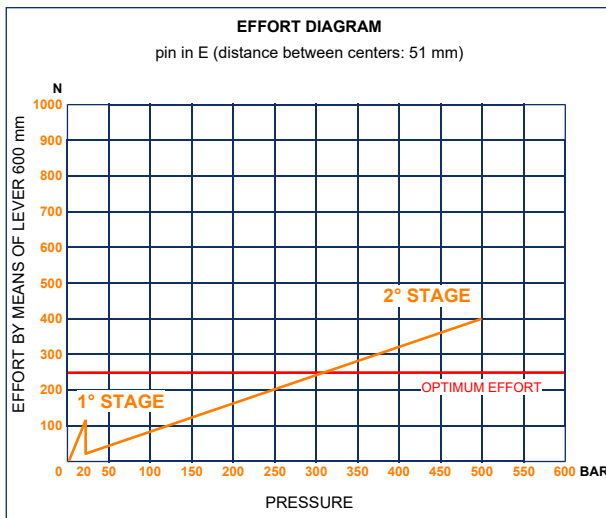
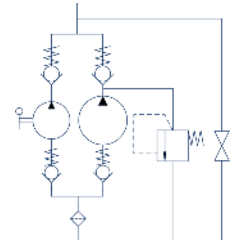
- Cast iron body
- Piston treated with Niploy
- White zinc plated support lever
- Lever connection Ø 27
- White zinc plated external parts
- Standard colour black
- Oil tank mounting kit included
- Pressure relief valve standard setting: 400 bar

DISPLACEMENT cm ³	A mm	B mm	C mm	D °	E °	DISPLACEMENT cm ³		PRESSURE BAR		MASS KG	CODE WITHOUT BELLOWS	CODE WITH BELLOWS
						STAGE 1	STAGE 2	STAGE 1	STAGE 2			
5-80	354	185	65	30	32	80,588	5,036	20	500	6,200	6071.0107	6071.0134



PM2V 5/80 a-p-m-s

with release hand knob
 with automatic control for the 1st speed
 with pressure-gauge prearrangement
 two speed hand pump for a single acting cylinder
 for fixing to tank



Specifications:

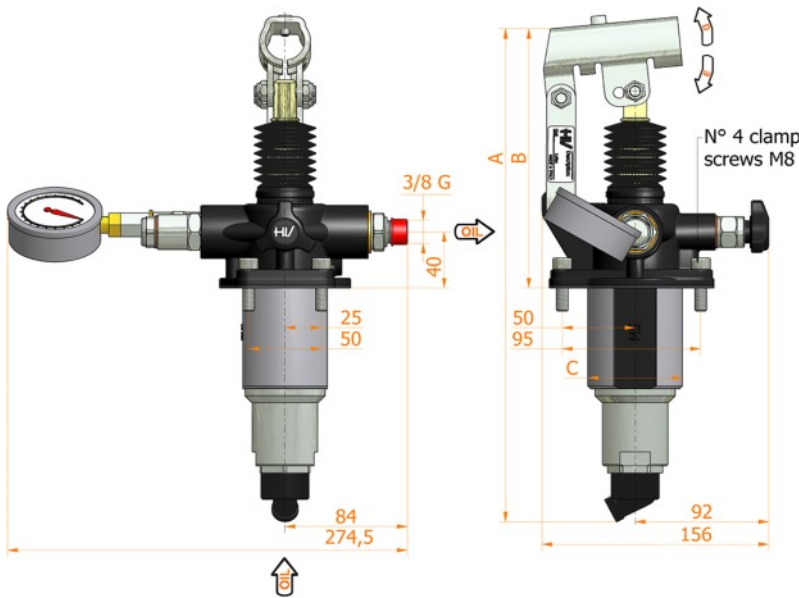
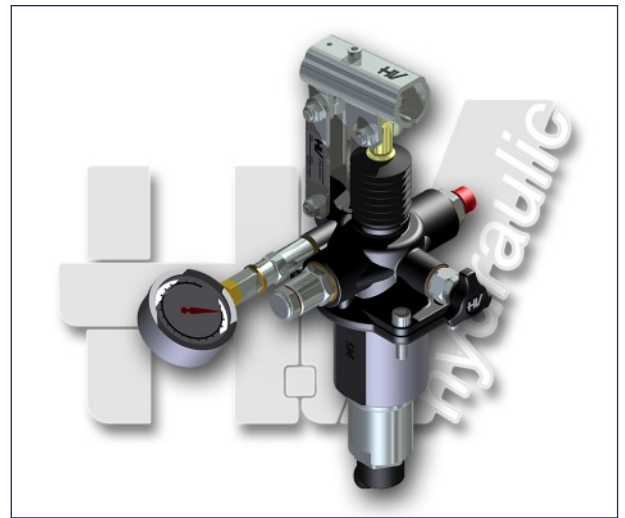
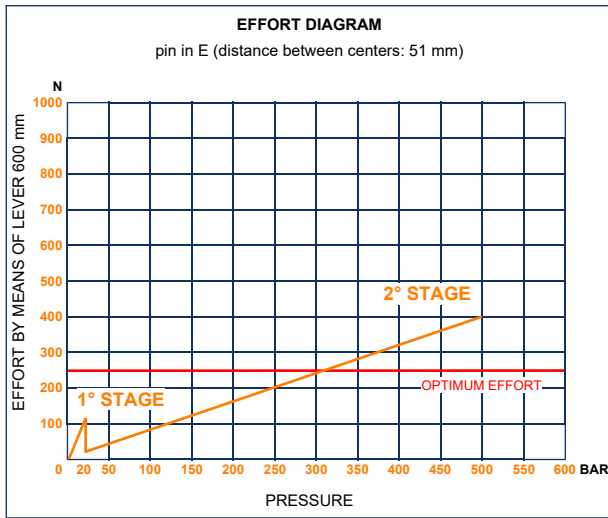
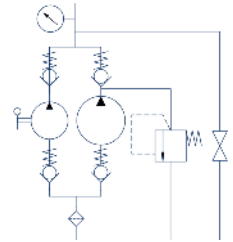
- Cast iron body
- Piston treated with Niploy
- White zinc plated support lever
- Lever connection Ø 27
- White zinc plated external parts
- Standard colour black
- Oil tank mounting kit included
- With pressure-gauge prearrangement, connection: 1/4 G

DISPLACEMENT cm ³	A mm	B mm	C mm	D °	E °	DISPLACEMENT cm ³		PRESSURE BAR		MASS KG	CODE WITHOUT BELLOWS	CODE WITH BELLOWS
						STAGE 1	STAGE 2	STAGE 1	STAGE 2			
5-80	354	185	65	30	32	80,588	5,036	20	500	6,200	6071.0108	6071.0135



PM2V 5/80 a-M-s

with release hand knob
 with automatic control for the 1st speed
 with pressure-gauge
 two speed hand pump for a single acting cylinder
 for fixing to tank



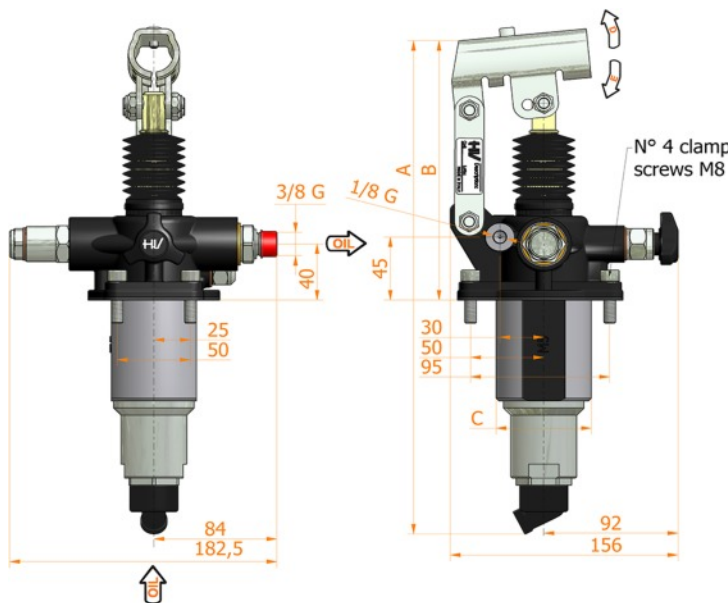
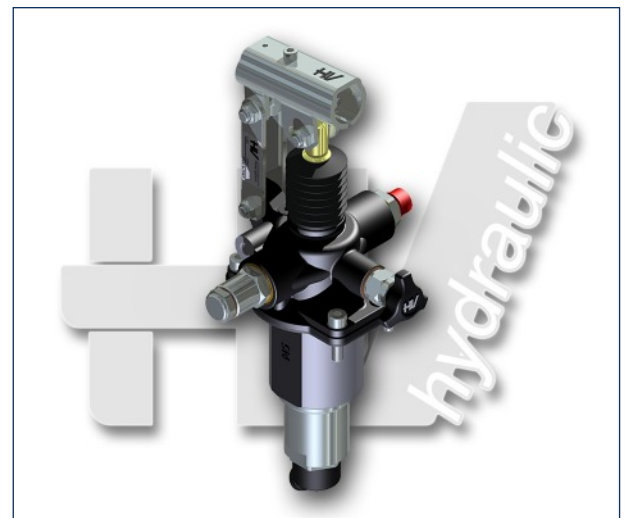
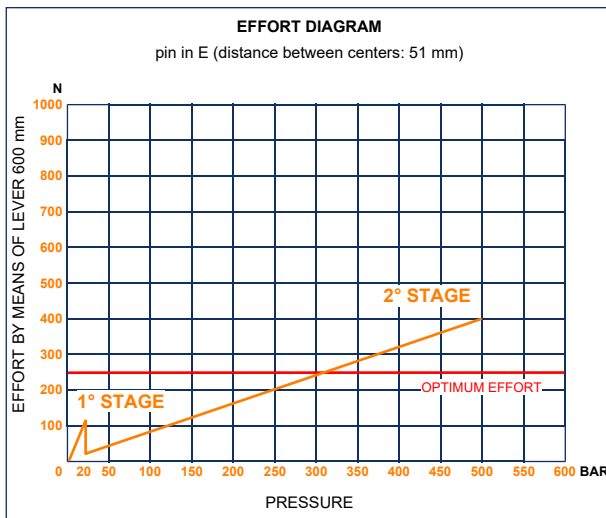
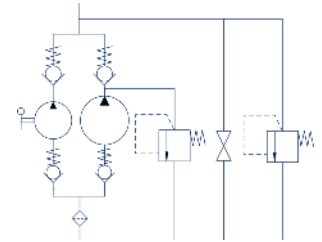
- Specifications:**
- Cast iron body
 - Piston treated with Niploy
 - White zinc plated support lever
 - Lever connection Ø 27
 - White zinc plated external parts
 - Standard colour black
 - Oil tank mounting kit included

DISPLACEMENT cm ³	A mm	B mm	C mm	D °	E °	DISPLACEMENT cm ³		PRESSURE BAR		MASS KG	CODE WITHOUT BELLOWS	CODE WITH BELLOWS
						STAGE 1	STAGE 2	STAGE 1	STAGE 2			
5-80	354	185	65	30	32	80,588	5,036	20	500	6,200	6071.0109	6071.0136



PM2V 5/80 a-byB-pm-s

with release hand knob
 with automatic control for the 1st speed
 with pressure relief valve and pressure-gauge prearrangement
 two speed hand pump for a single acting cylinder
 for fixing to tank



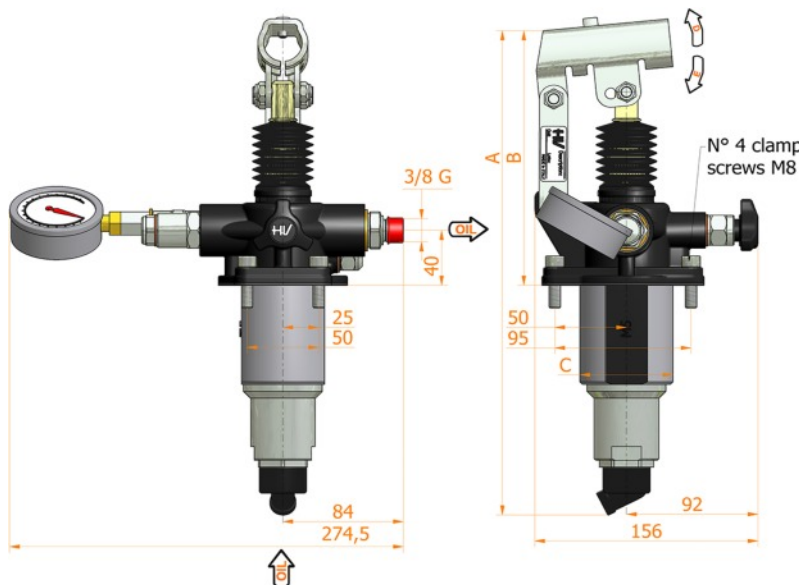
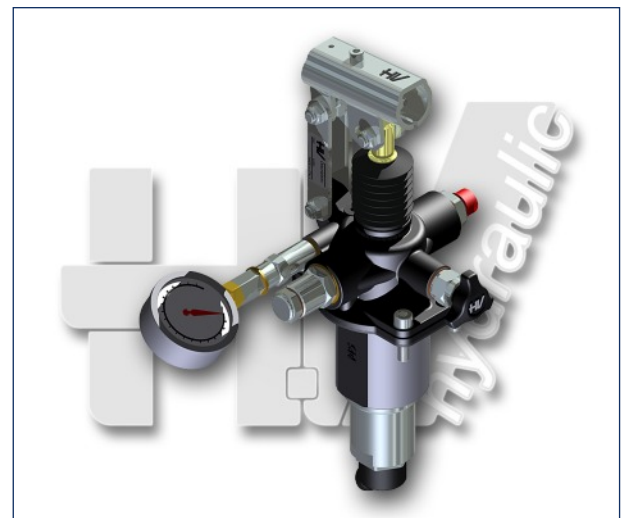
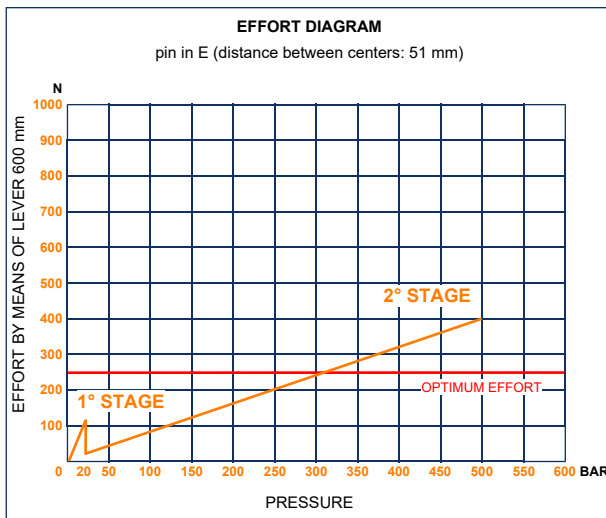
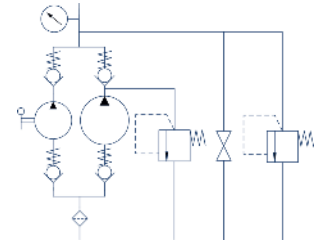
- Specifications:**
- Cast iron body
 - Piston treated with Niploy
 - White zinc plated support lever
 - Lever connection Ø 27
 - White zinc plated external parts
 - Standard colour black
 - Oil tank mounting kit included
 - Pressure relief valve standard setting: 400 bar
 - With pressure-gauge prearrangement, connection: 1/4 G

DISPLACEMENT cm ³	A mm	B mm	C mm	D °	E °	DISPLACEMENT cm ³		PRESSURE BAR		MASS KG	CODE WITHOUT BELLOWS	CODE WITH BELLOWS
						STAGE 1	STAGE 2	STAGE 1	STAGE 2			
5-80	354	185	65	30	32	80,588	5,036	20	500	6,200	6071.0110	6071.0137



PM2V 5/80 a-byB-M-s

with release hand knob
 with automatic control for the 1st speed
 with pressure relief valve and pressure-gauge
 two speed hand pump for a single acting cylinder
 for fixing to tank



Specifications:

- Cast iron body
- Piston treated with Niploy
- White zinc plated support lever
- Lever connection Ø 27
- White zinc plated external parts
- Standard colour black
- Oil tank mounting kit included
- Pressure relief valve standard setting: 400 bar

DISPLACEMENT cm ³	A mm	B mm	C mm	D °	E °	DISPLACEMENT cm ³		PRESSURE BAR		MASS KG	CODE WITHOUT BELLOWS	CODE WITH BELLOWS
						STAGE 1	STAGE 2	STAGE 1	STAGE 2			
5-80	354	185	65	30	32	80,588	5,036	20	500	6,200	6071.0111	6071.0138